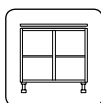
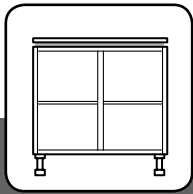


Section 3

Linear Look

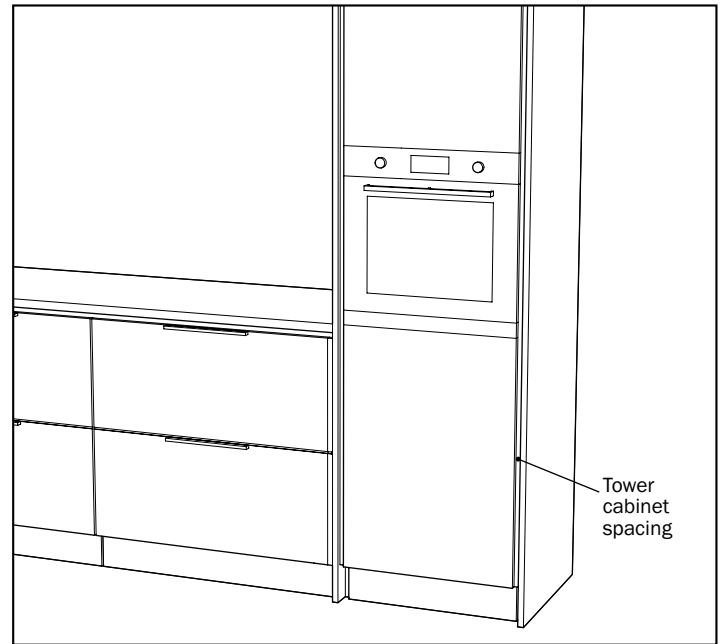
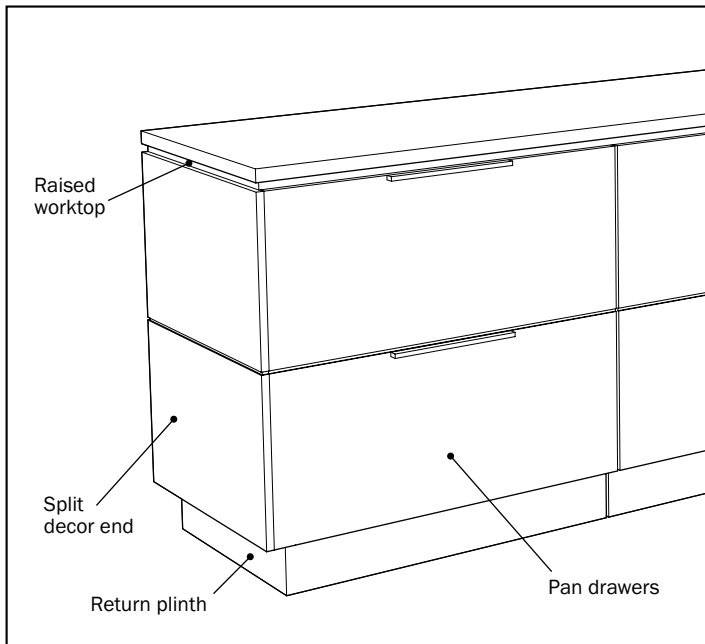


Linear look.....	page 54
Linear look - Profile kitchen.....	page 56
Return plinth - re-positioning of legs.....	page 58

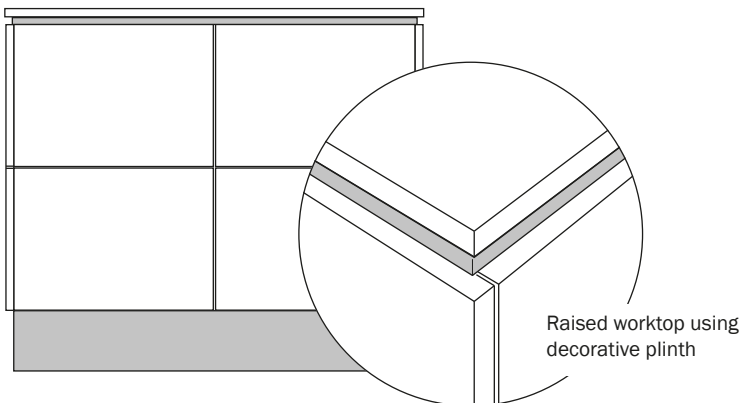


Section 3 - Kitchen installation - Linear

Linear look



Raised worktop and split decor ends fitting application

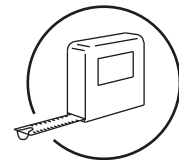
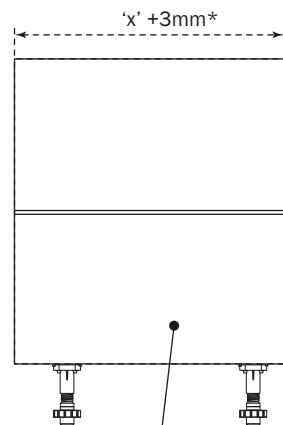
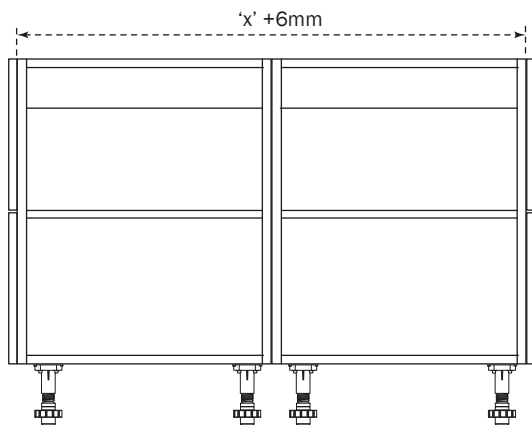


Cabinets and decor ends should be fitted before cutting and securing the decorative plinth sections to the cabinet.

LED lighting strips can be fitted to the underside of the worktop overhang around the edges. These can be placed into a routed channel or applied direct to the surface.

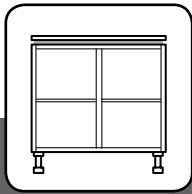
Use silicone to seal any raw edges around sink and hob cut-outs.

- 1 Measure the length of the cabinet run (not including the decor panel at each end) adding a 3mm overhang at each end. Measure the return section adding a 3mm overhang at each end.



*For an island application 3mm overhang at each end would be required

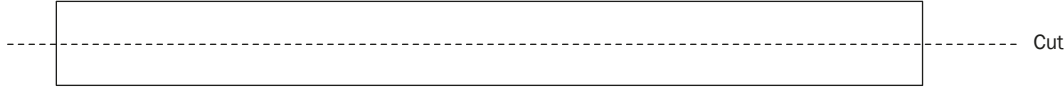
NOTE: Use 600 Half height frontals (as decor ends), for a split panel return to the wall and return a decorative plinth at the base. Base decor end panels can also be used by cutting and re-edging them for larger island applications. Level and secure the panels from inside the cabinets using 30mm screws.

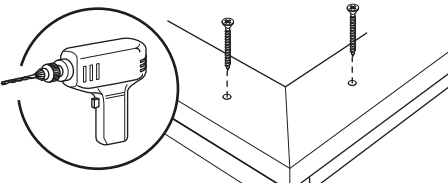


Section 3 - Kitchen installation - Linear

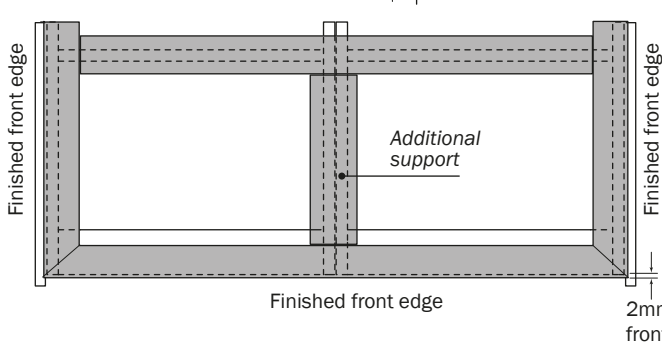
Linear look

- 2** Cut the decorative plinth section in half.
NOTE: Use the finished edge for the front and side of the cabinet. When fixing cabinets to the wall use a section for support at the back. For island application the finished edge will need to run all around.

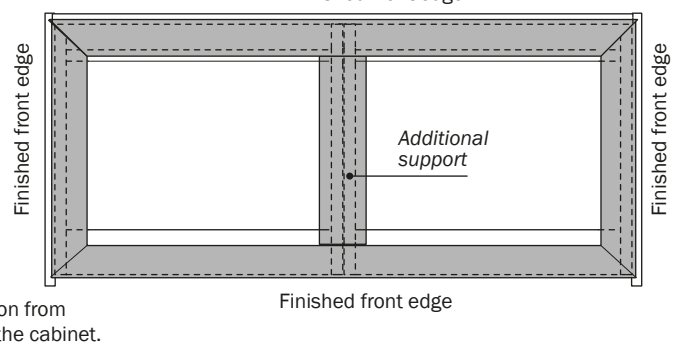


- 3**  Using the dimensions measured in stage one (X), cut the finished side of the plinth to length, mitering the ends to join the return section. Drill through into the top of the cabinet side panel and front rail to secure using 30mm screws.
NOTE: Additional support under the worktop will be required using a section of the cut plinth. This should run front to back along the cabinet side panels as shown below. Central side to side support should also be used when installing Granite/Quartz worktops.

Back to wall cabinets



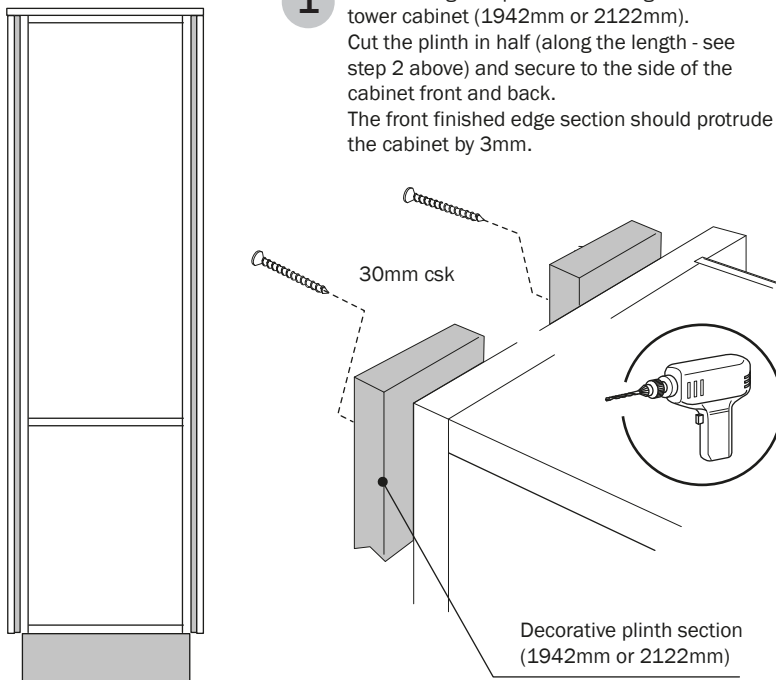
Island application



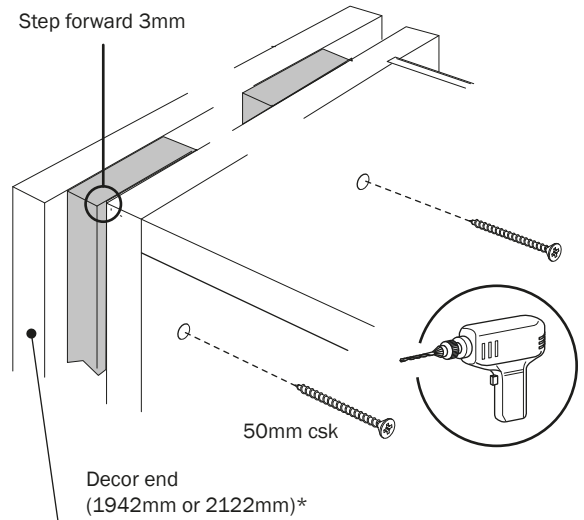
- 4** Cut and fit the worktop to the cabinet run, aligning the front edge with the frontal and side with decor end panels. A longer screw will be required (50mm) to secure up through the cabinet front rail, plinth and up into the worktop. For Granite/Quartz worktops, use silicone to secure the top.

Tower cabinet spacing using decorative plinth

- 1** Cut the length of plinth to the height of the tower cabinet (1942mm or 2122mm). Cut the plinth in half (along the length - see step 2 above) and secure to the side of the cabinet front and back. The front finished edge section should protrude the cabinet by 3mm.

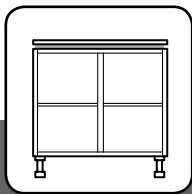


- 2** Cut and fit the decor end panel to the side of the fitted plinth sections, securing from inside the cabinet and through the plinth sections and into the decor end.
NOTE: Decor end should protrude the cabinet by the thickness of the frontal being fitted.



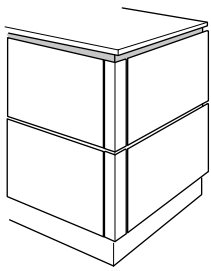
*dimensions if returning your plinth

- 3** Fit the doors, thin handles (where applicable) and return plinths.

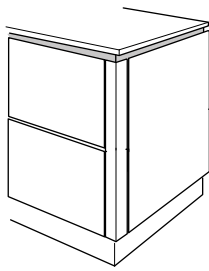


Section 3 - Kitchen installation - Linear

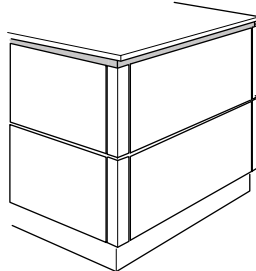
Linear look - Profile kitchen



Return to wall



Return to wall
(solid end)

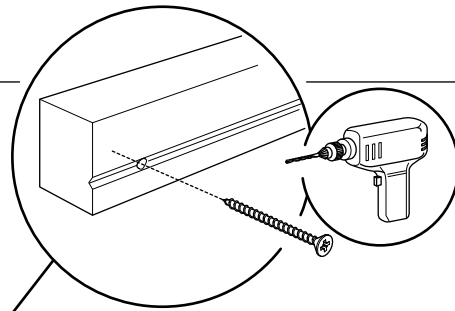


Island Unit

NOTE: Corner post design will vary depending on the range chosen

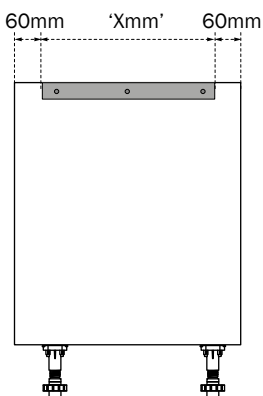
Assembly

- 1 Cut the worktop support rail (MDF spacer) to size and secure to the cabinet side panel. These rails are to support the worktop profiles.



Side View Island application

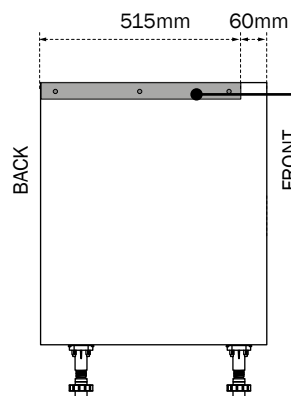
(External post fitted front & back edge)



'X' = Dimension of the rail depending on depth of island

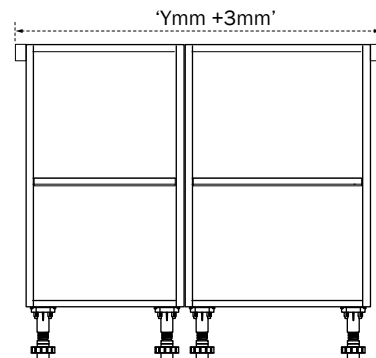
Side View Return to wall application

(External post fitted front edge only)



Front of cabinet run

(image shown for context of rail/profile positioning)



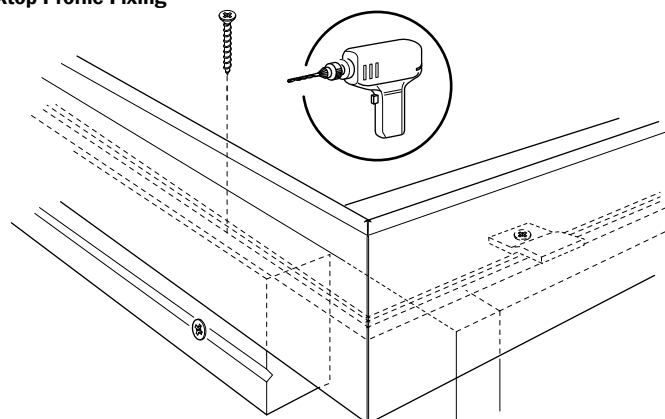
*to the top of the drawer support rail

Note: In an island application, worktop rail, may be required to secure to the back of the cabinet to run the profiles all around. This application will be if the island is only one base cabinet in depth.

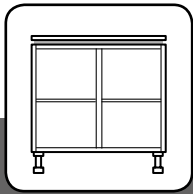
- 2 Measure the length of the cabinet run including the worktop support rails (MDF spacer) fitted to the side(s). See measurement 'Y' above. Add 3mm to this dimension. This measurement should be used for the external mitre cut of your profile. Fit the worktop profile to the front of the cabinet (and back if applicable).

- 3 Secure the worktop profiles to the side of the cabinet, mitering with the front profile. Drill through the metal and into the top of the support rail at each end.

Worktop Profile Fixing



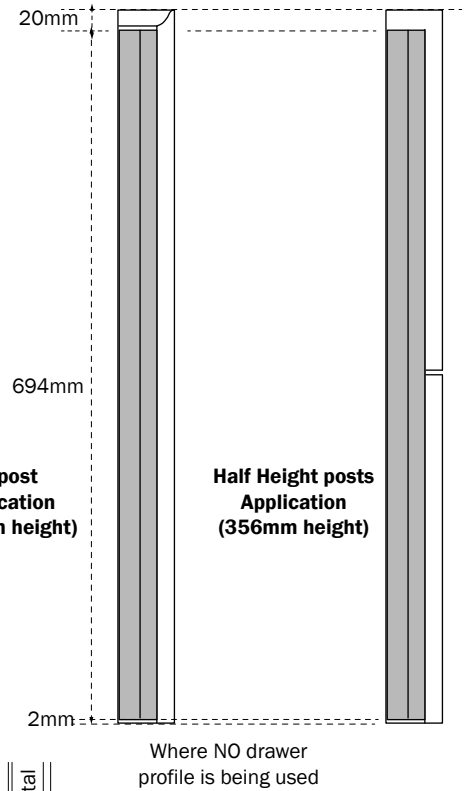
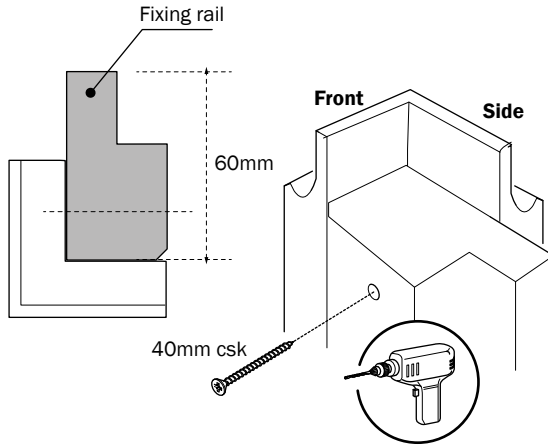
- 4 Fit the drawers and frontals to the cabinet. Having these in position will help determine size and alignment of the end panel/external corner post. Follow the installation manual for drawer and frontal fixing. Mark the position of the top of the frontals for end panel alignment.



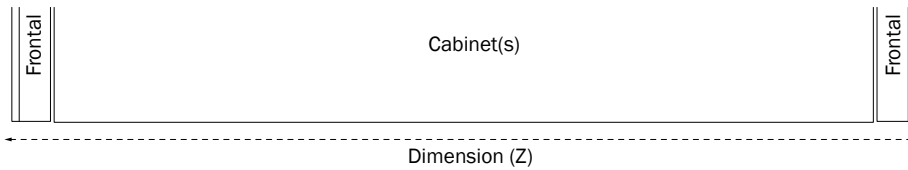
Section 3 - Kitchen installation - Linear

Linear look - Profile kitchen

- 5** Cut the fixing rails to the dimensions shown.
Fit the fixing rails to the post(s), using 40mm screws to secure.

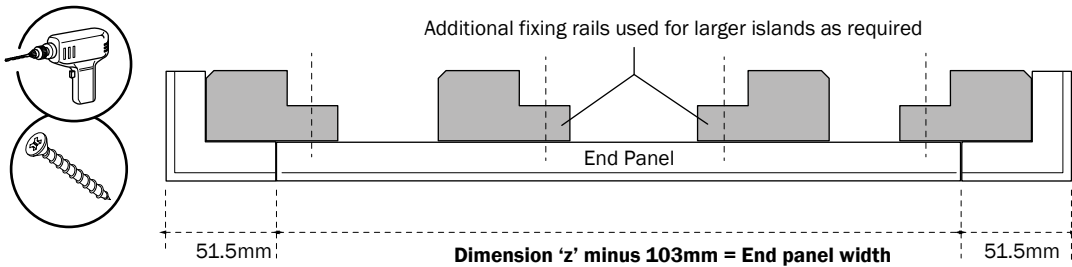


- 6** Measure the cabinet side to find dimension 'Z'.
Minus 103mm from this dimension (this is the corner post dimension 51.5mm x2). This dimension is the width of your end panel.
NOTE: Typically the end panel will be a half height frontal, cut and re-edged to the required width.

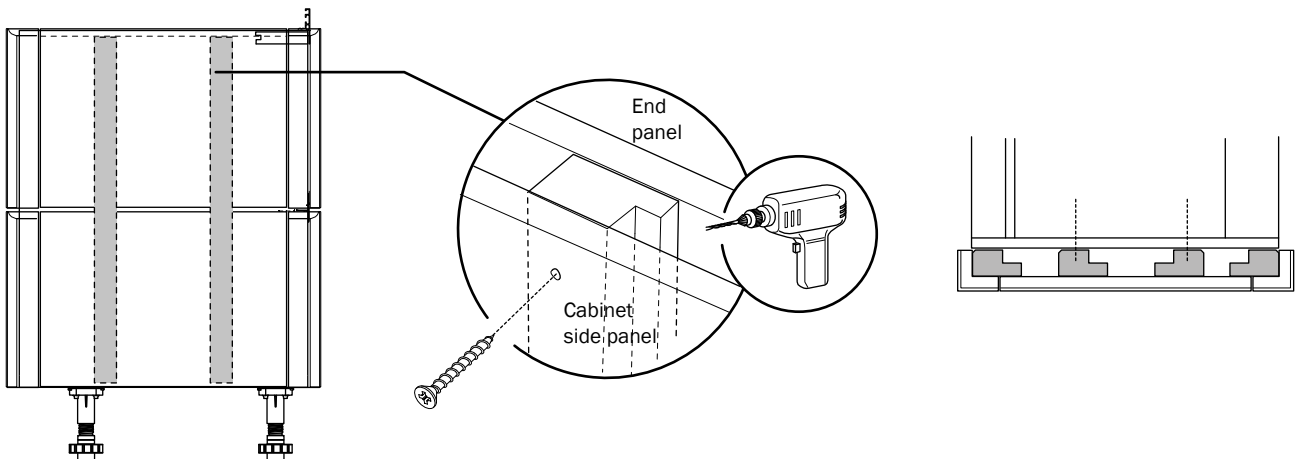


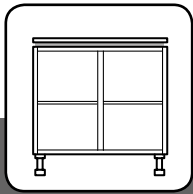
Assemble the end panel/external corner posts, making sure measurements are checked before cutting end panels.
To secure the end panels to the external corner post use 30mm screws to secure through the fixing rails.

NOTE: Make sure the top of the end panel aligns with the top of the corner post.
Fit additional fixing rails to the back of the end panel securing with 40mm screws. Only one fixing rail may be required.



- 7** Fit the end panel/external corner post assembly to the top and bottom of the cabinet side panels.
Secure from the inside of the cabinet using 30mm screws. Drawers will need to be opened to secure the end assembly.
NOTE: We recommend that drawers/frontals are fitted to the cabinets before fitting the side panels to ensure alignment.



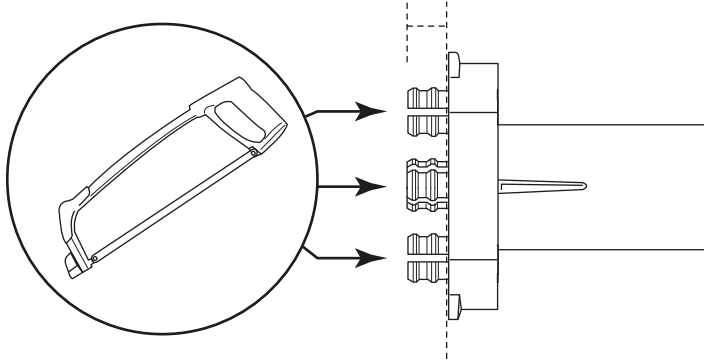


Linear look

Return plinth - re-positioning of legs

Cabinet legs at the side of the unit can be moved inwards if a deeper more 'stepped' overhang appearance of the decor end be required. Plastic location dowels at the top of the leg will need to be removed and screw fixings used. Follow the step below.

- 1 Remove the plastic location dowels.



- 2 Position the legs in line with the other leg positions in your cabinet run and stepped in at the side.

Pilot drill and secure through the three fixing holes in the leg top with screws.

Fit the plinth to the cabinet legs.

