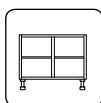


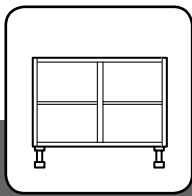
Section 9

Inclusive kitchens



Inclusive kitchens

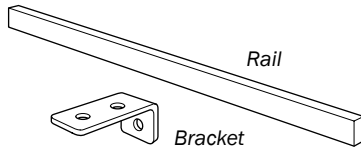
Base cabinet wall fixing	page 202
600mm Pull down shelving	page 203
Adjustable wall bracket	page 204
Leg and plinth fixing	page 206
Caster assembly	page 208
Adjustable worktop bracket	page 209
Pull-out worktop application	page 210



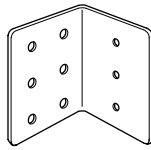
Section 9 - Inclusive kitchens

Base cabinet wall fixing

HYH2200



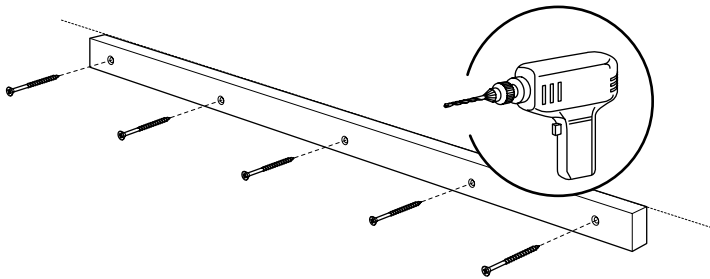
HKE0050



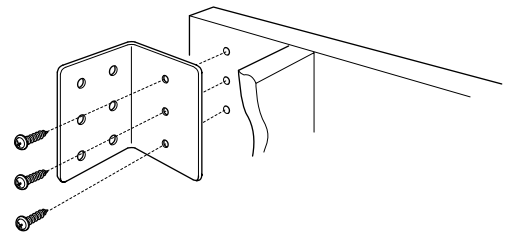
Assembly

*Use this leaflet for fixing the support rail (sales code - HYH2200) when fitting the inclusive base cabinets to the wall. This rail replaces the current rail (HYH2298) shown in the inclusive kitchen installation manual.

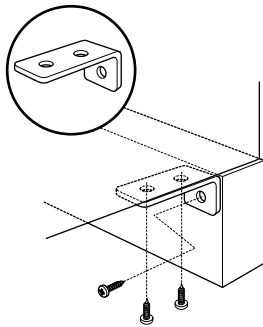
- 1** *Cut the rail to the appropriate length.
Fix rail using suitable wall fixing screws at regular intervals.



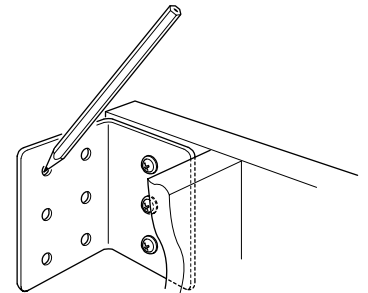
- 2** Fit the brackets to the cabinet each side using the screws to secure.



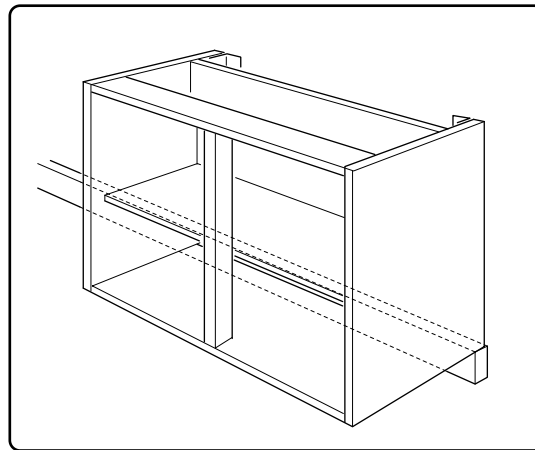
- 7** Fix the base of the cabinet to the rail using brackets and screws to secure.



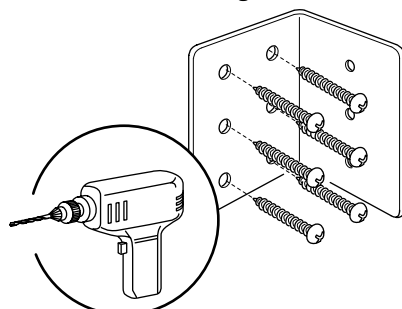
- 3** Place cabinet to the wall and mark for wall fixing positions.



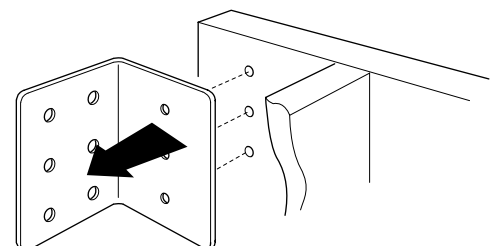
- 6** Align the cabinet to the fitted brackets and secure with screws.

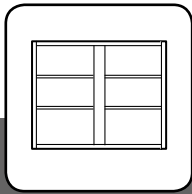


- 5** Drill fixing locations and secure the brackets to the wall using suitable wall fixings.



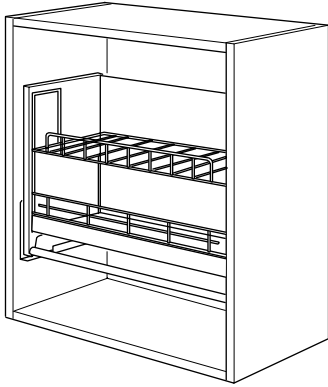
- 4** For ease of fixing, remove the brackets from the cabinet.





Section 9 - Inclusive kitchens

600mm Pull down shelving



IMPORTANT NOTES:

Do not use a power driver for this product installation

Storage load: Up to 13kgs*

Installation into a 600mm cabinet required which has been secured to the wall

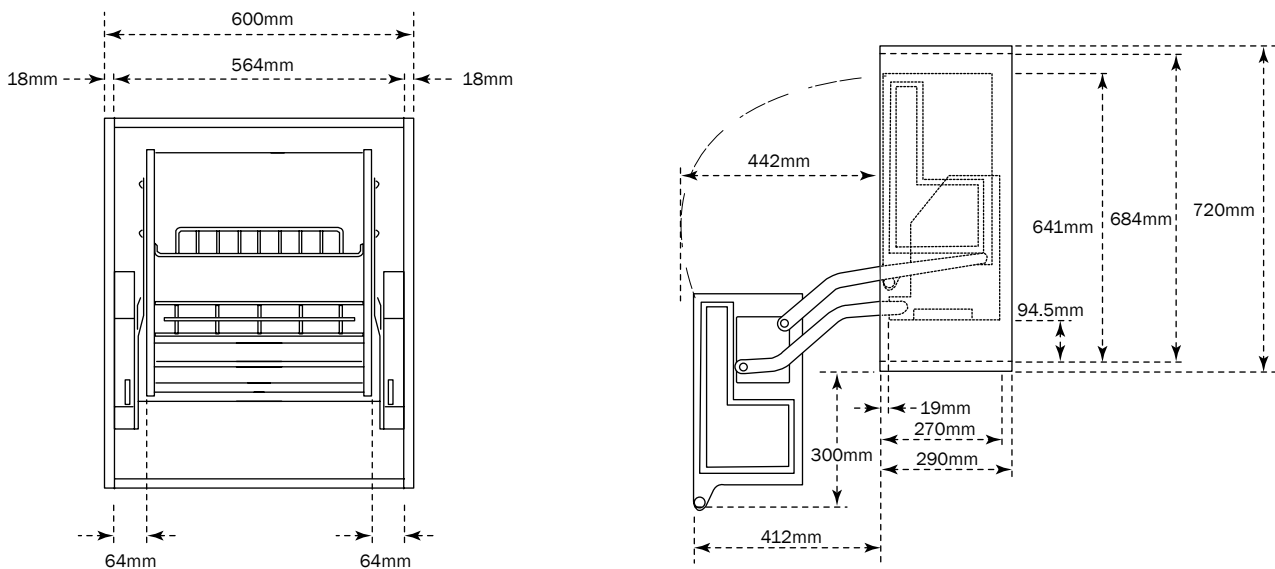
Cabinet door(s) must be able to open fully for the pull down mechanism to operate

This mechanism has moving parts and care must be taken when operating.
Only use the handle to pull down.

Care must be taken when pulling the shelving up and down. Hold the handle until fully extended or retracted.

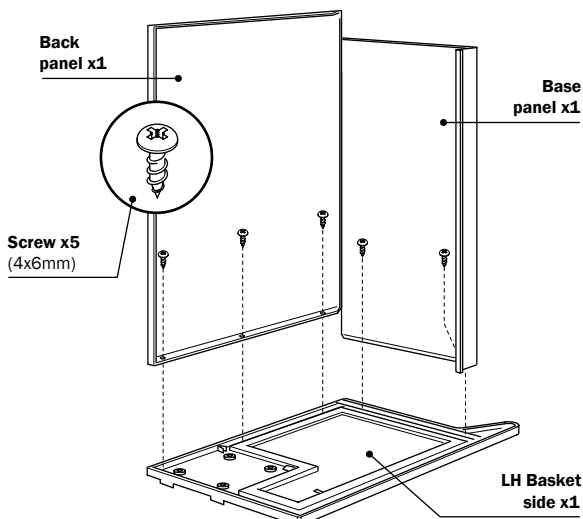
*Lever adjustment required dependent upon weight. Set to heavy for installation (see operation information)

Installation over view

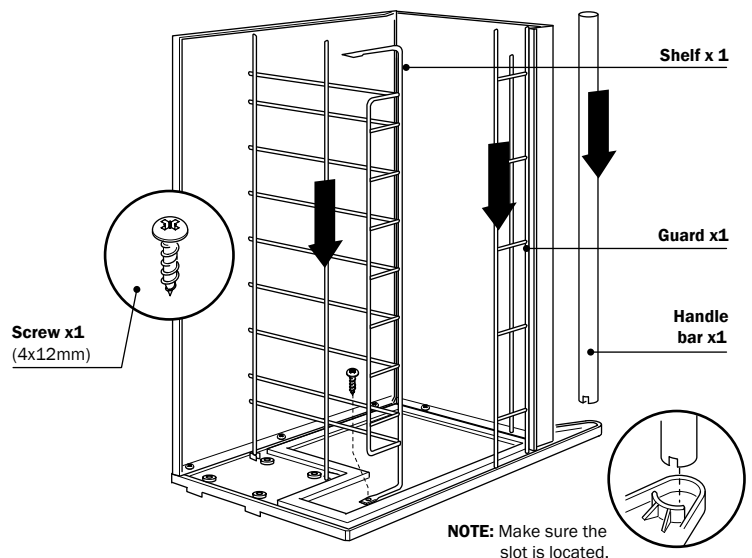


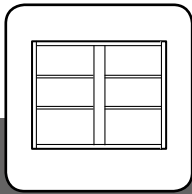
Assembly

1 Fit the back panel and base to the LH side panel.



2 Fit the shelf, guard and handle bar.

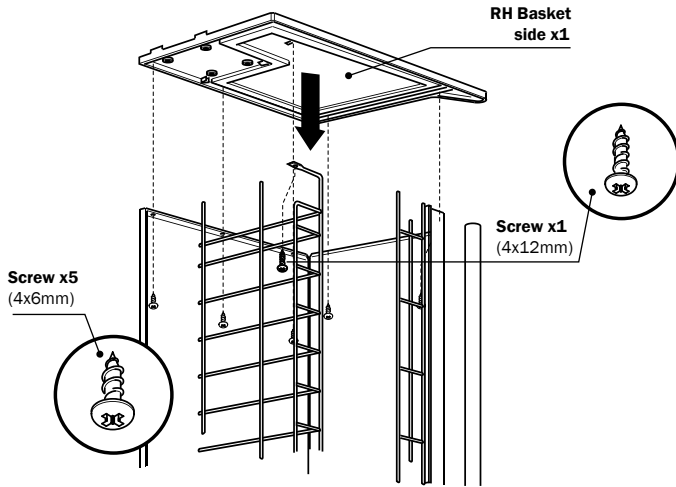




Section 9 - Inclusive kitchens

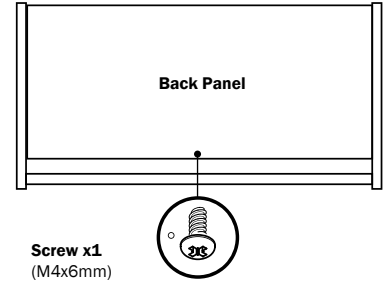
600mm Pull down shelving

3 Fit the RH basket side panel to the assembly aligning screw hole positions and shelf, guard and handle bar.

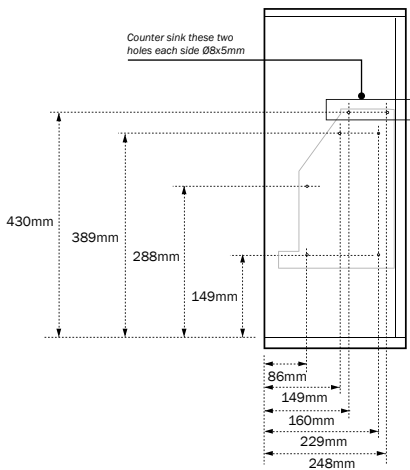


4 Secure the base and back panels together from the back as shown.

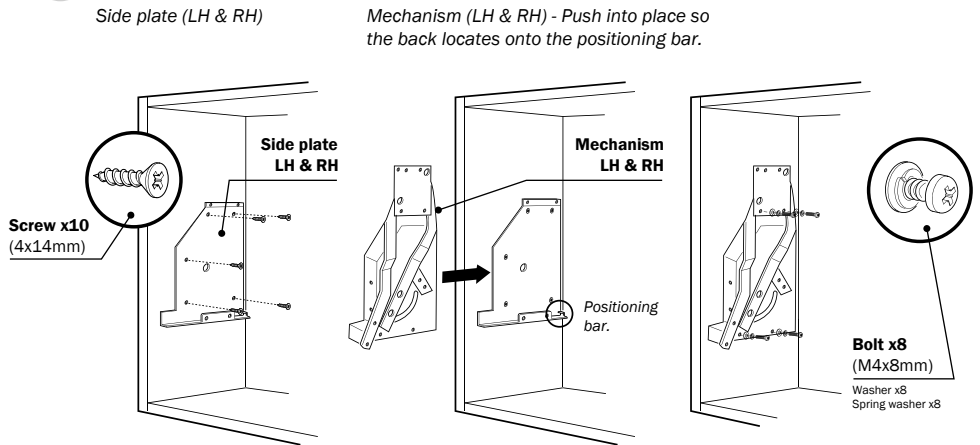
Image shows looking at the basket assembly from the rear.



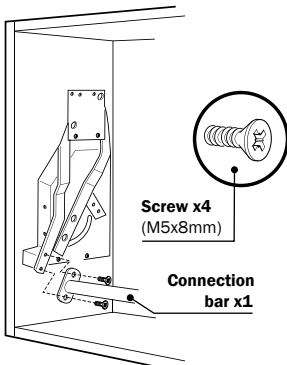
5 Mark and spike the cabinet side panels for the side plates.



6 Fit the side plates and mechanisms.

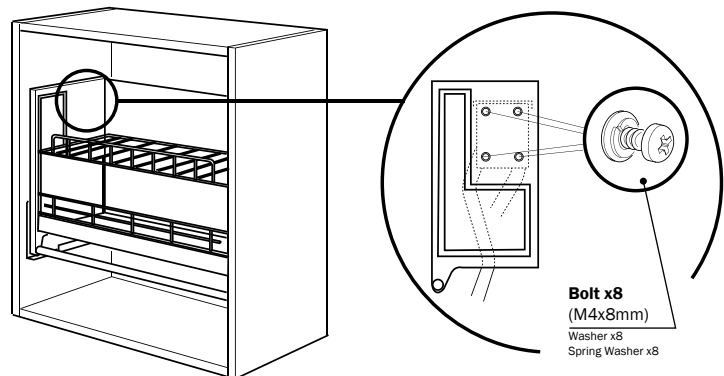


7 Fit the connection bar to the mechanisms. **NOTE:** Fully tighten once basket has been fitted in the next stage.



8 Fit the pull down shelving into the cabinet, locating the tops of the mechanism into the plate holding slots on the basket sides.

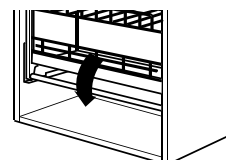
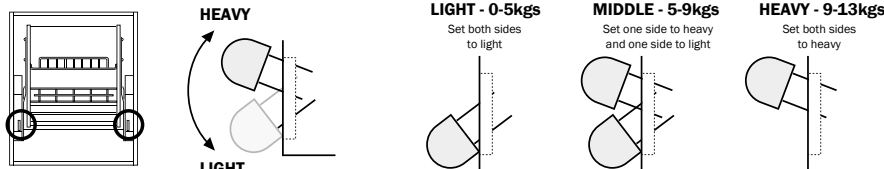
Push insert the plate on the mechanism up into the location on the basket side. **NOTE:** When securing with bolts, ensure the plate and the side are flush with each other.

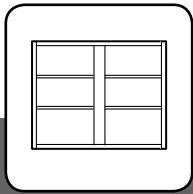


Unit operation and adjustment

Adjust the weight levers each side of the baskets depending on the load (see below). **NOTE:** Weight selector lever should be set to maximum for installation. Only adjust when shelving is stored away.

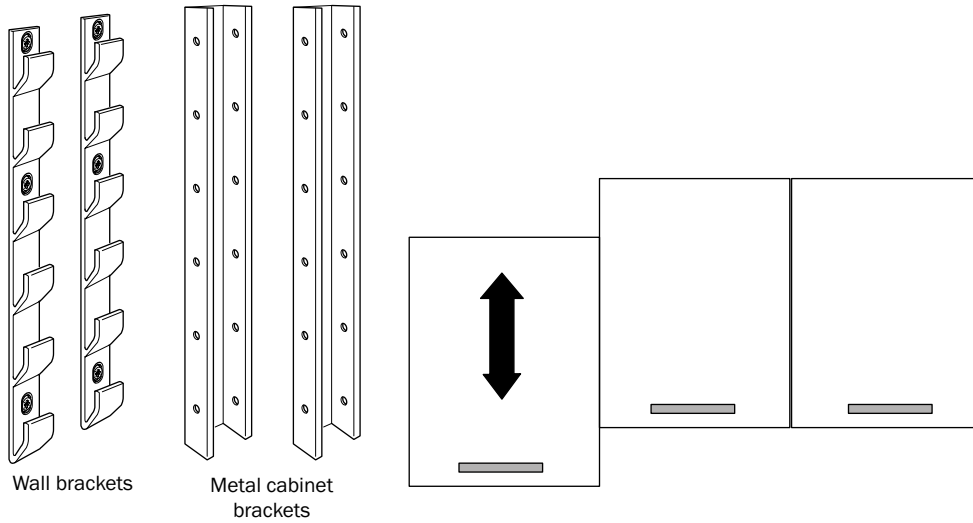
The safety guard can be lowered for easy access to stored items. Make sure the guard is located back in place.





Section 9 - Inclusive kitchens

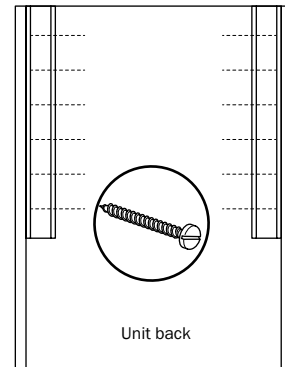
Adjustable wall bracket

**NOTE:**

Wall unit can move up or down at 45mm increments.
The maximum weight load capacity per set of brackets is 90kgs.

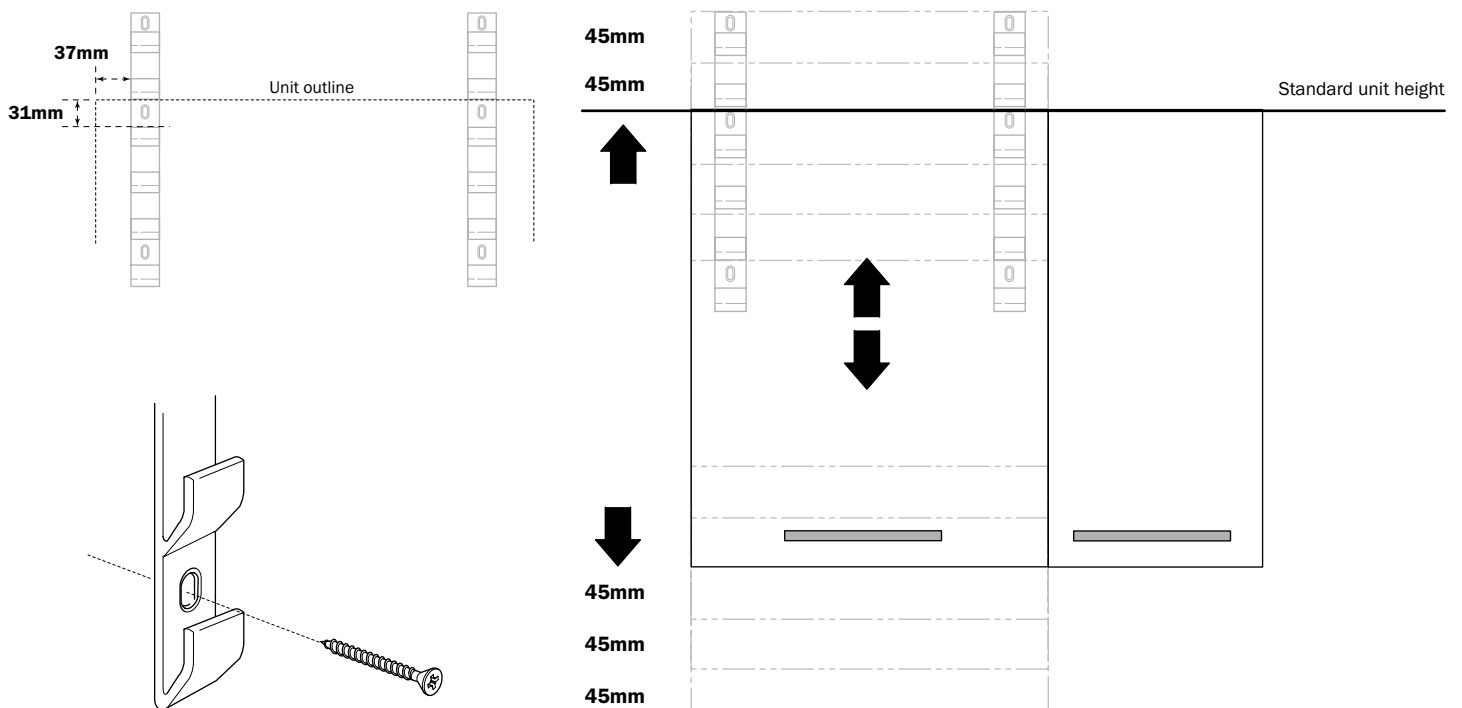
Assembly

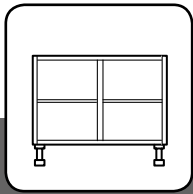
- 1 Remove the existing wall cabinet hanging brackets and fit the long metal brackets supplied with adjustable pack. Fit the brackets using the screws provided, securing to the back of the cabinet, flush with the side panel.



- 2 Mark the unit standard height onto the wall. Fit the brackets to the wall placing them in the position giving you 'up and down' adjustability as required.

NOTE: Follow the dimensions against the unit outline for bracket positions.
Secure using suitable wall fixings depending on your wall construction.
Once in place, fit the unit to the wall.



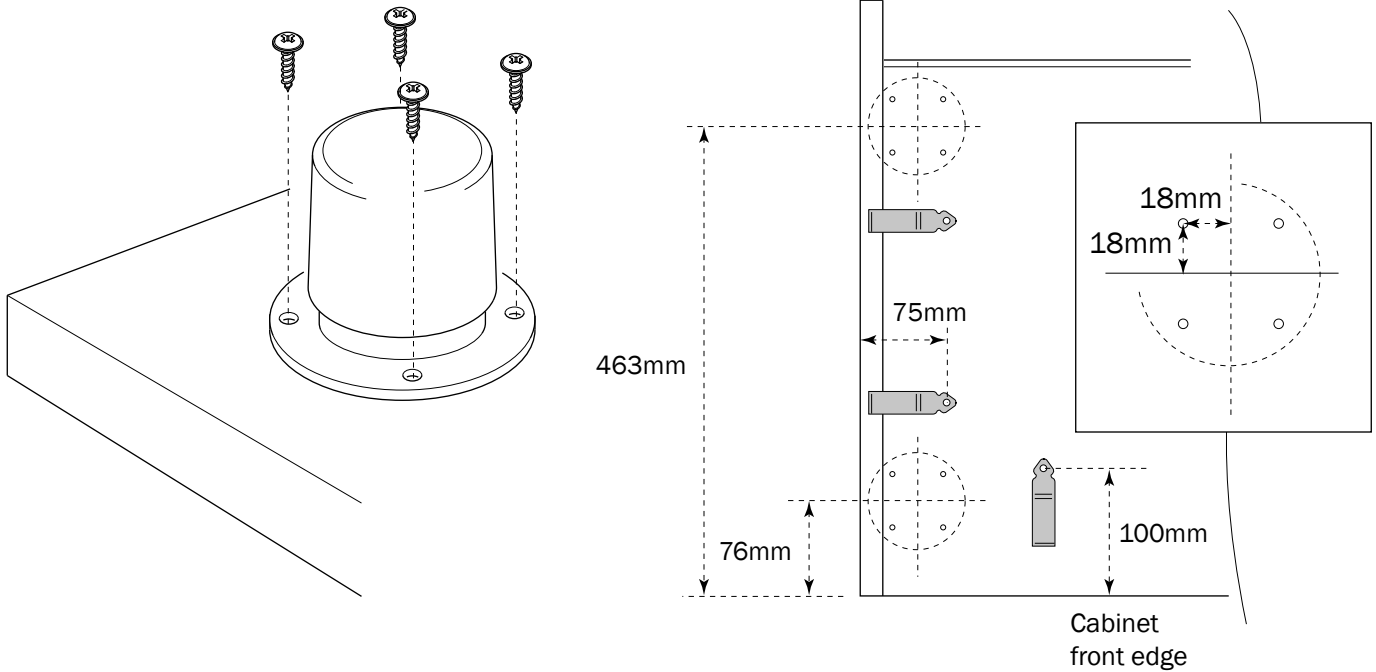


Section 9 - Inclusive kitchens

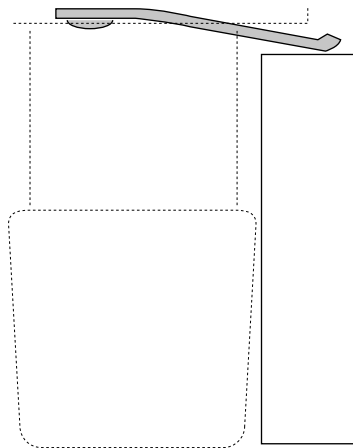
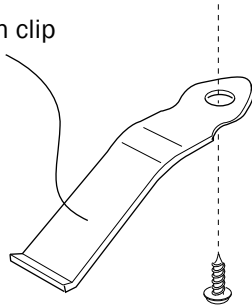
Leg and plinth fixing

Follow the diagrams for the different type of inclusive leg option and the plinth application.

60mm Leg fixing



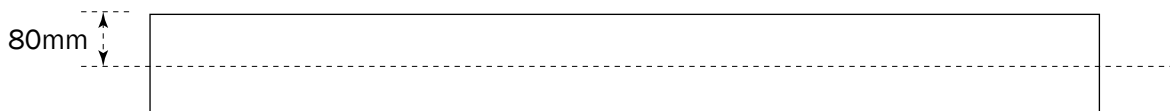
Plinth clip

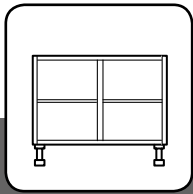


Push plinth up under the protruding section of the clip and against the leg.

Standard plinth modification

Cut a standard plinth in half to use for a 60mm leg application. The height of the cut plinth will allow for 20mm of scribing for uneven floors.



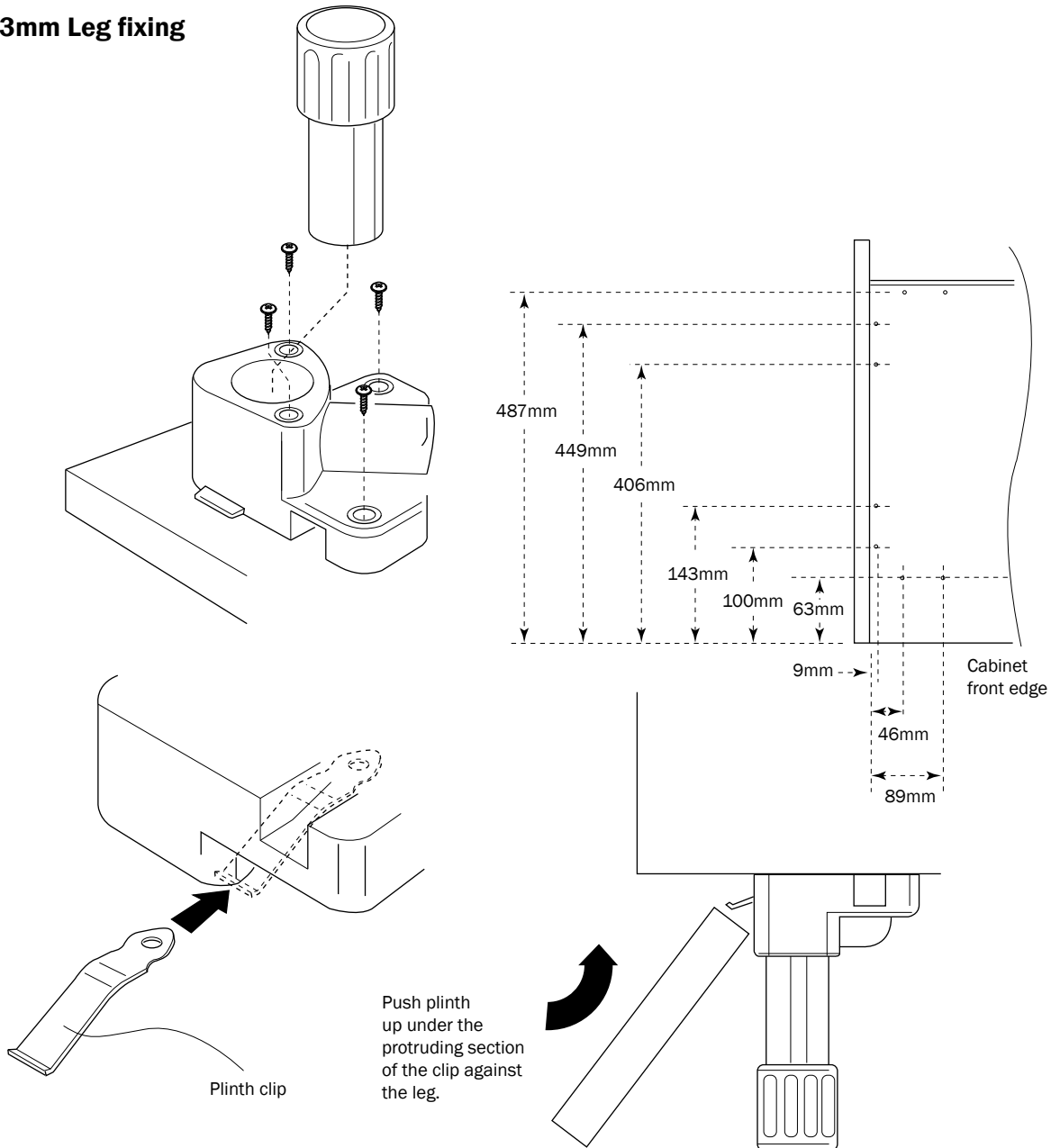


Section 9 - Inclusive kitchens

Leg and plinth fixing

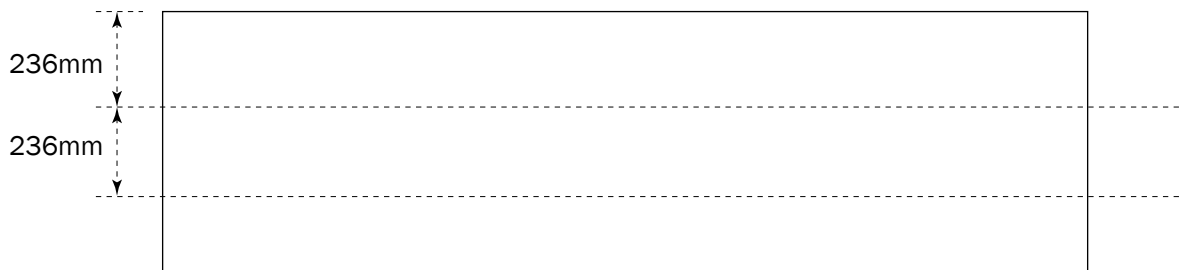
Follow the diagrams for the different type of inclusive leg option and the plinth application.

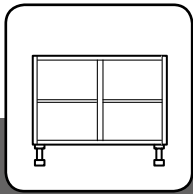
223mm Leg fixing



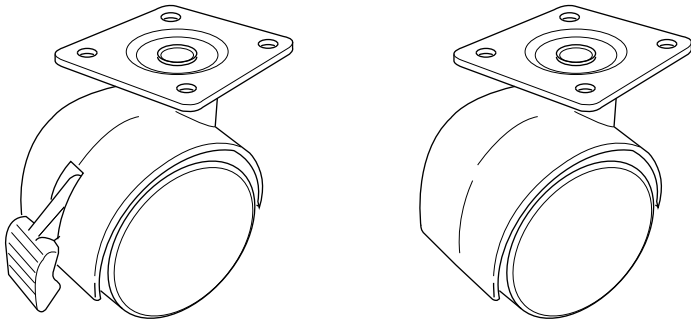
Custom fit panel modification

Cut a custom fit panel to make the plinth for a 60mm leg application. The height of the cut panel will allow for 20mm of scribing for uneven floors.

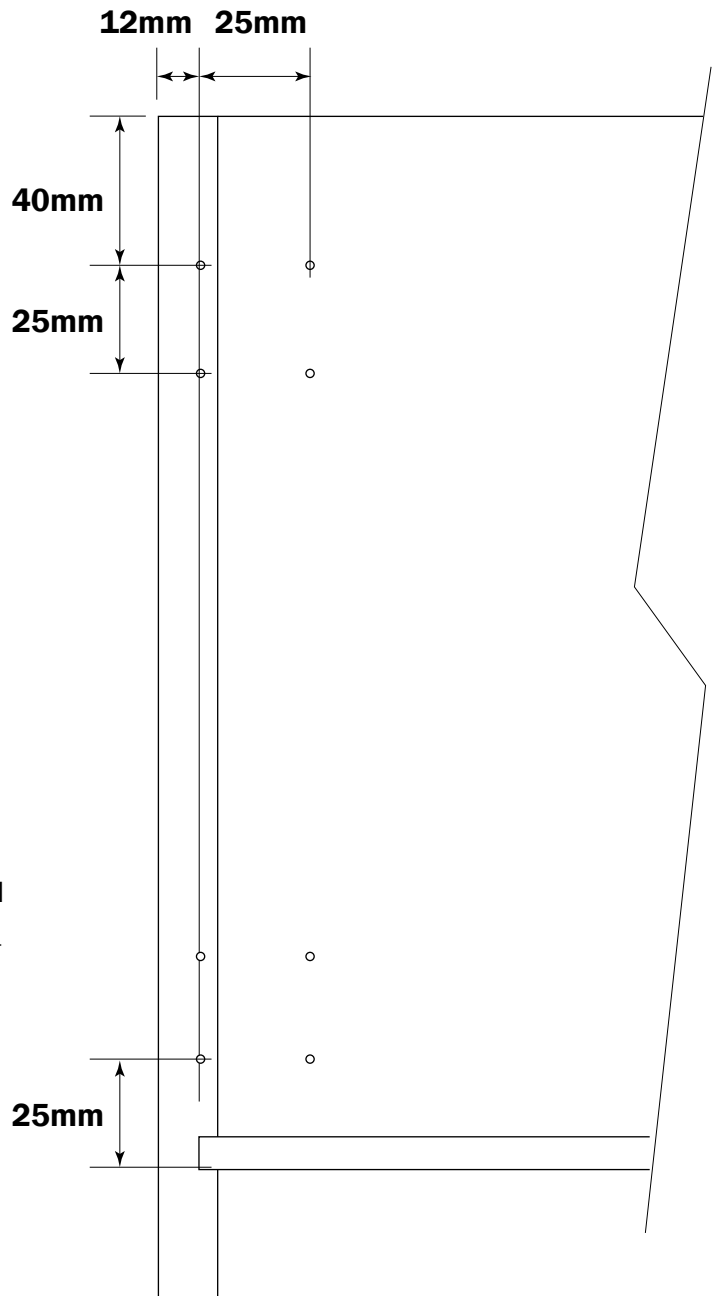
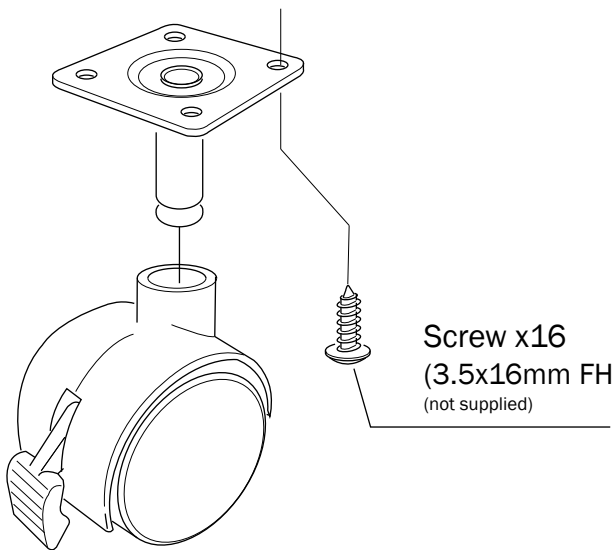
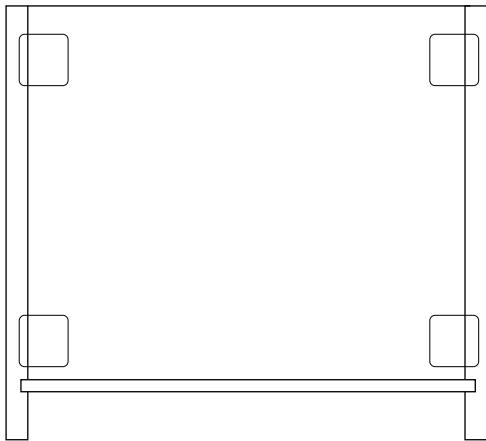




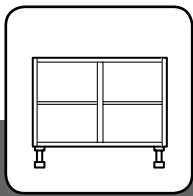
Caster assembly



Assembly

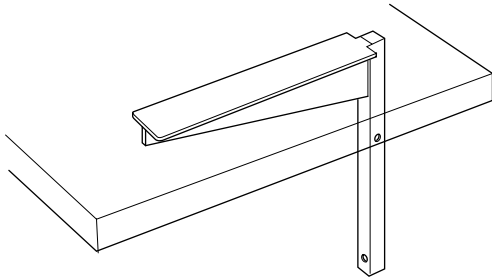


NOTE: Make sure castors are fully located onto the pegs, so they click into position.



Section 9 - Inclusive kitchens

Adjustable worktop bracket

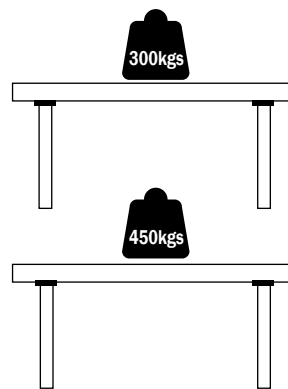
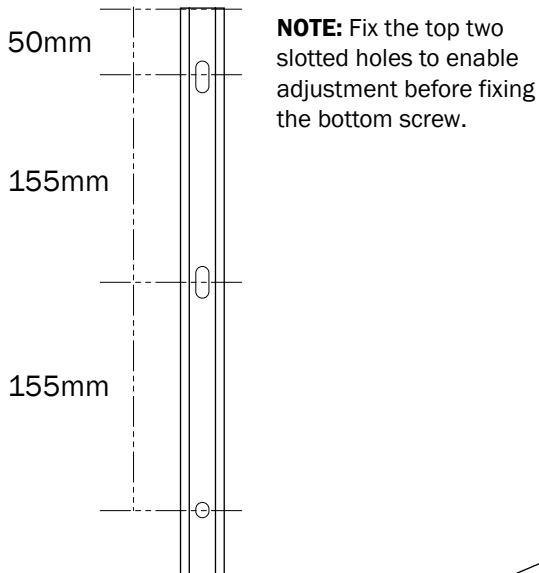


Bracket specification:
H400mm x W55mm x D475mm

Assembly

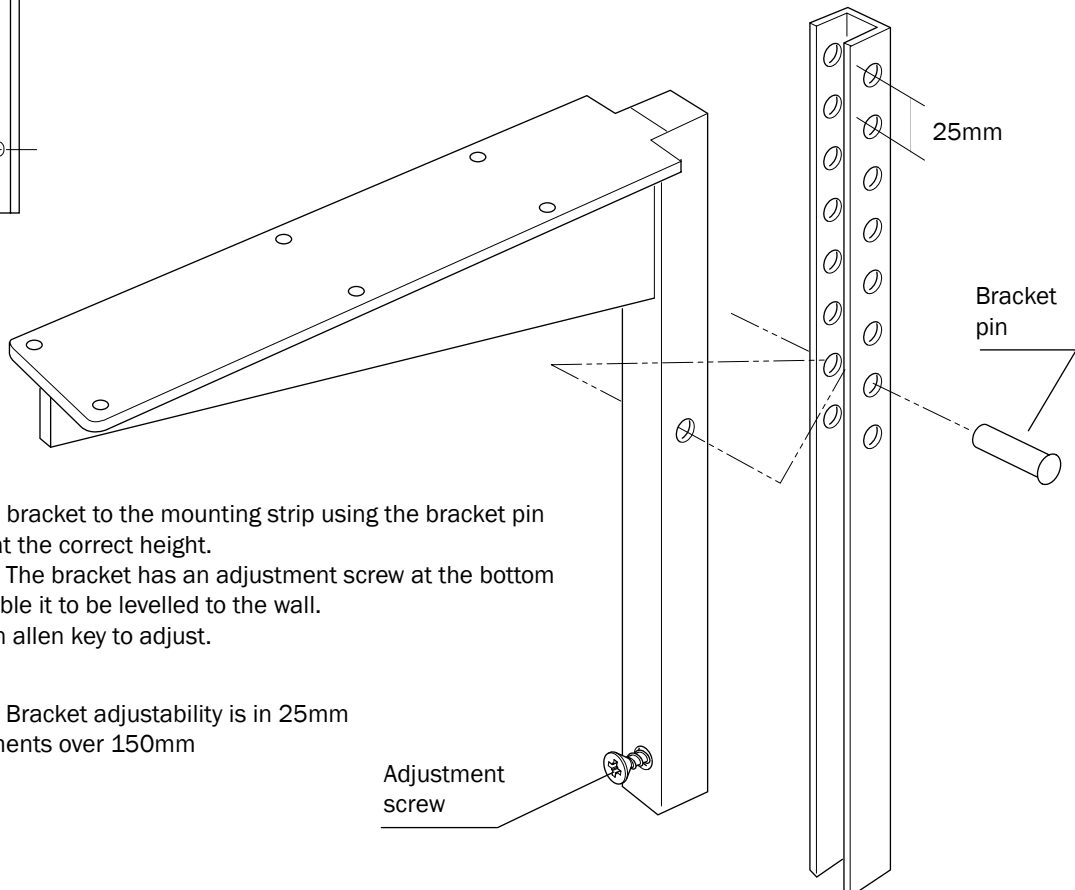
Recommendations for bracket quantities and loading shown below.

- 1 Fit the mounting strip to the wall using the dimensions shown.



500/600mm Worktop length
- 2 Brackets

1200mm Worktop length
- 3 Brackets

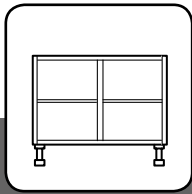


- 2 Fit the bracket to the mounting strip using the bracket pin to fix at the correct height.
NOTE: The bracket has an adjustment screw at the bottom to enable it to be levelled to the wall. Use an allen key to adjust.

NOTE: Bracket adjustability is in 25mm increments over 150mm

Adjustment screw

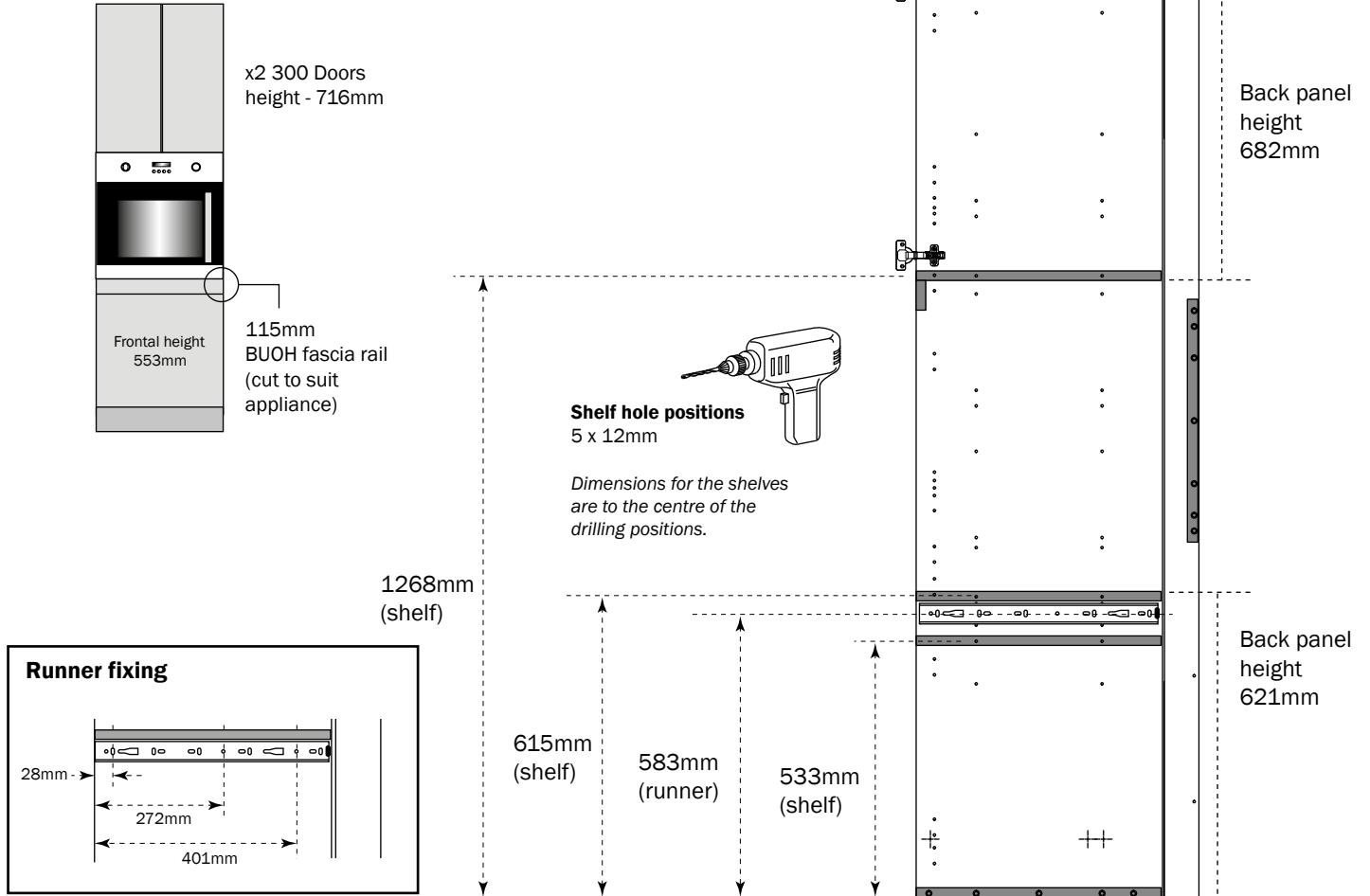
Bracket pin



Section 9 - Inclusive kitchens

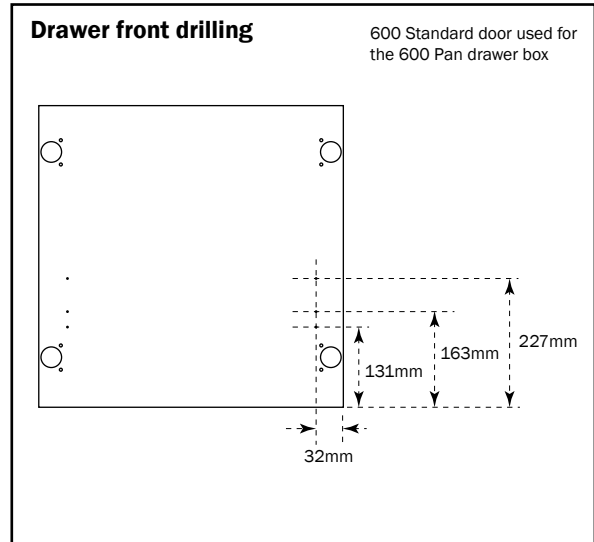
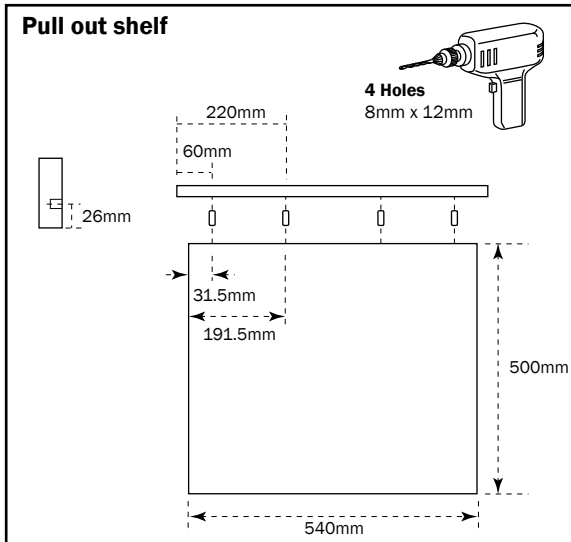
Pull-out worktop application

Single oven tower with pull-out worktop to door and drawer application



When fitting the worktop to the runners, ensure the worktop is positioned 2mm forward from the cabinet to allow for the fitting of bumpons. Use a strong wood glue to secure dowels.

Follow the dimensions below for the positions of the drawer box fixing brackets. Follow the leaflet supplied with your drawer box for pan drawer installation and adjustment.



NOTE: The above drilling for the drawer front is also applicable for the 600 fridge or freezer tower.