

Section 7

Midi tower shelf configurations



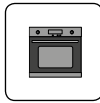
Cabinet information

How the cabinet is supplied	page 176
Additional shelf pack	page 177
Cabinet modifications	page 177
Hints and tips for installation	page 178



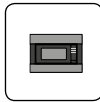
Double oven

Double oven	page 179
-------------------	----------



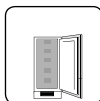
Single oven

Single oven	page 181
Single oven with warming drawer	page 183



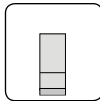
Microwaves/compact oven

Microwave/compact oven	page 185
Microwave/compact oven with warming drawer	page 187



Fridge or freezer option

Fridge or freezer option	page 189
--------------------------------	----------



Larder option

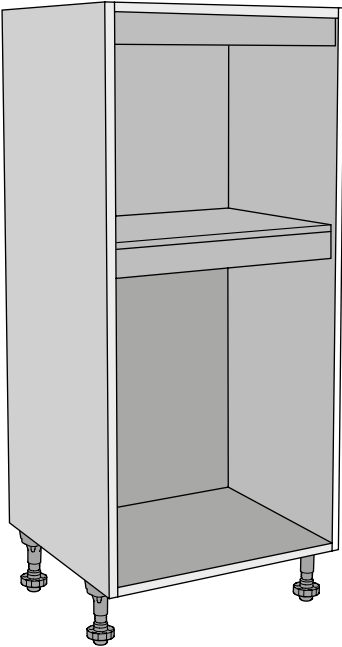
Larder option	page 191
---------------------	----------



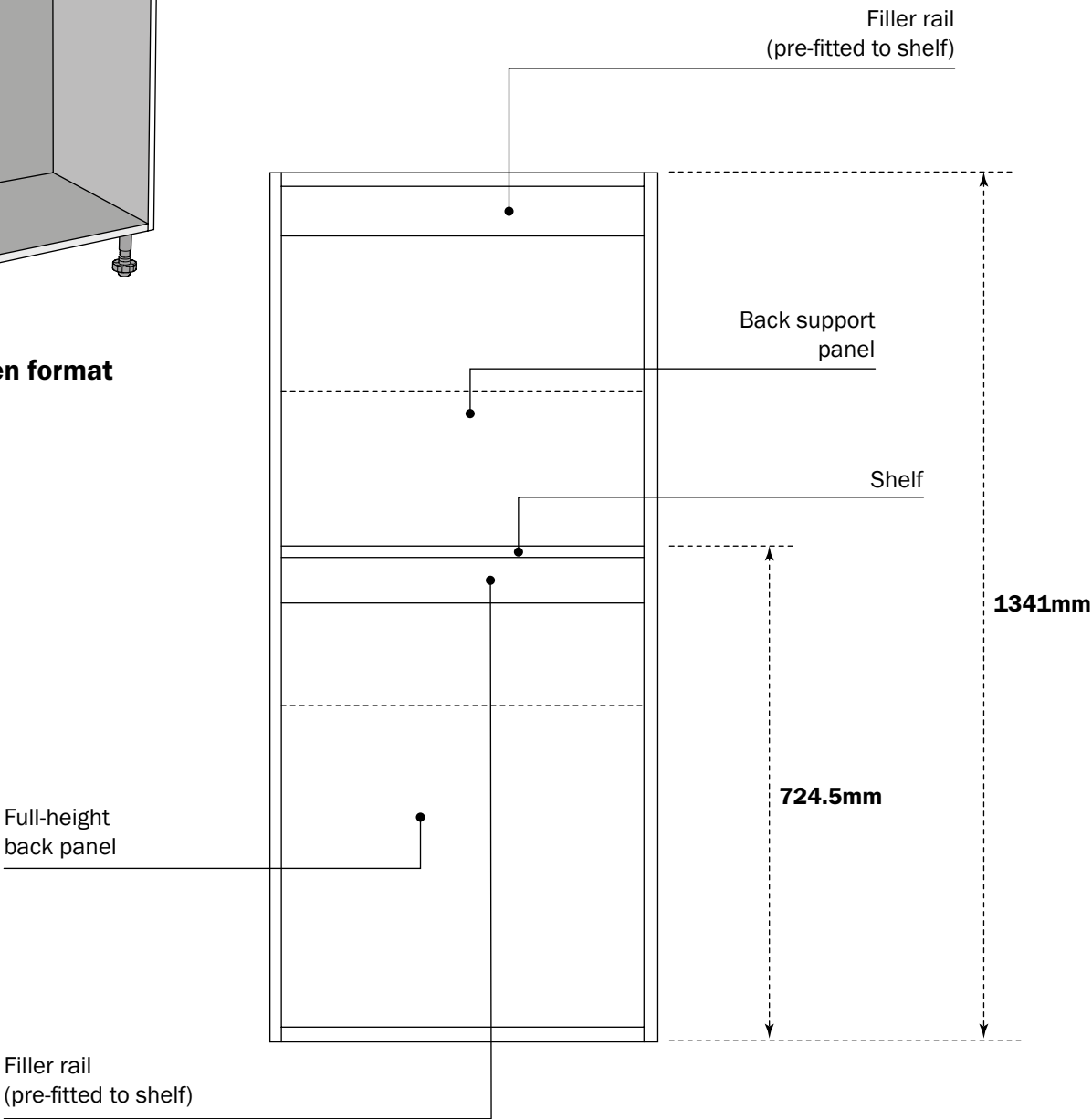
Section 7 - Midi tower shelf configurations

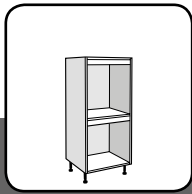
How the cabinet is supplied

The midi appliance tower is supplied in a standard format, with a pre-fitted shelf to the **SINGLE OVEN** configuration, ready for you to tailor the specific appliance requirements.



Single oven format

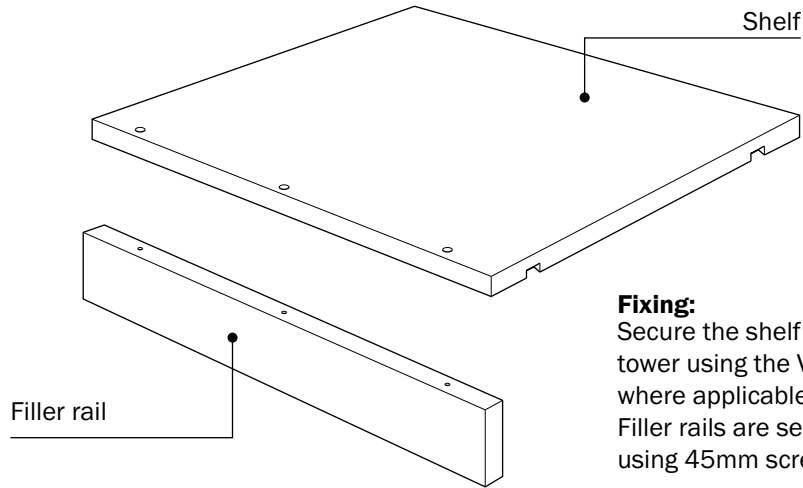




Section 7 - Midi tower shelf configurations

Additional shelf pack

Shelf packs are required for certain appliance tower configurations. These are indicated at each section where required and will be included in the relevant sales code.



Fixing:
Secure the shelf into the appliance tower using the VB cams and studs where applicable.
Filler rails are secured to the shelf using 45mm screws.

Cabinet modifications

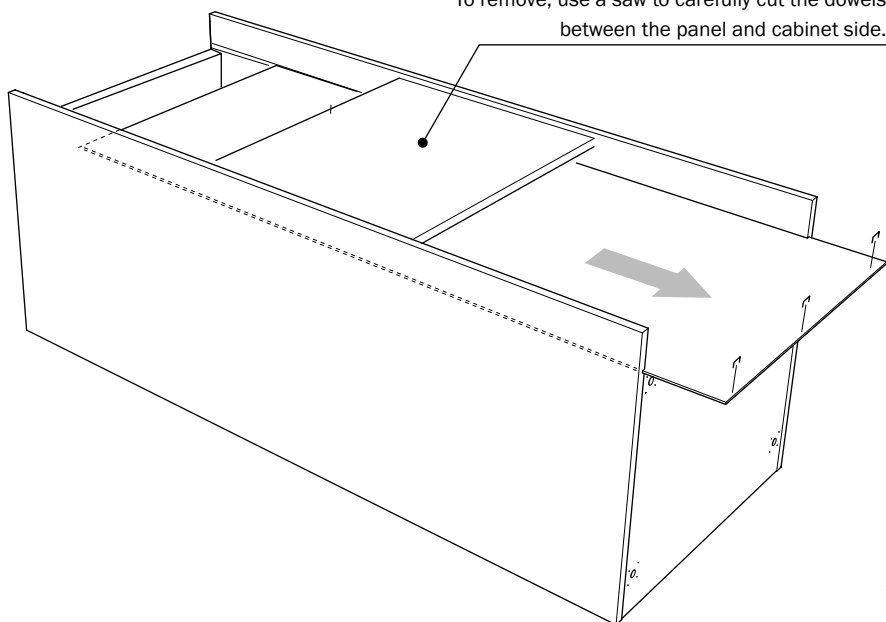
All midi appliance towers will require the back panel to be modified or removed completely. This is due to the different appliance configurations.

NOTE: As a general rule, the back panel is only required behind a cupboard.

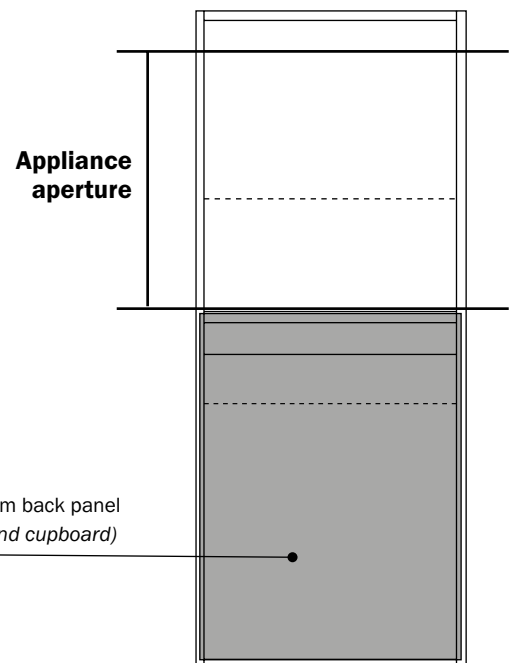
The appliance aperture must not be enclosed due to ventilation.

Remove the staples and slide the back panel from the unit. Cut panel to the appropriate sizes (see tower configuration pages for back panel sizes) and re-fit using the panel pins to secure to the back of the shelf panels.

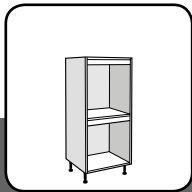
NOTE: The fixed back support panel may need to be removed for fridge and freezer applications depending on the depth of the appliance.
To remove, use a saw to carefully cut the dowels between the panel and cabinet side.



Single oven example



NOTE: Do not discard any of the cut back panel at this stage. Parts of the back panel may be required for packing under your appliance due to size variations.



Section 7 - Midi tower shelf configurations

Hints and tips for installation

The information below relates to the midi appliance tower installation and modification. Please read the information below before starting the cabinet build.

IMPORTANT: All dimensions shown for the shelf configurations are measured to the centre of the fixing hole.

Shelves

All load bearing shelves must have KD blocks fitted underneath for extra strength and stability. Secure with 25mm screws.

NOTE: If the appliance being fitted clashes with the KD blocks, use metal larder brackets as a replacement.

Shelf cut outs

If using the appliance tower in a fridge or freezer application, the base shelves will require cutting at the back for ventilation. Follow the diagram (right) for cutting dimensions.

NOTE: The same dimensions apply when cutting the mid shelf in the fridge and freezer application.

Plinth vents

If using the appliance tower in a fridge or freezer application, the plinth should be fitted with a vent.

Filler rails (part of supplied cabinet)

Cabinet filler rails may require scribing/removing, depending on the appliance fitted. Remove the panel from the shelf to scribe. In some applications, (711mm height shelf position), the filler should be positioned horizontally.

Fascia rails (frontal)

Fascia rails may require scribing depending on the appliance fitted.

Appliance sizes

Due to variations in appliance sizes, packing may be required under the appliance to achieve a slightly raised level. Use 'cut off's' from your back panel for this purpose. Screws are provided to secure in place.

Dishwashers and washing machines are not suitable for use within appliance towers.

Leg fixing

Follow the kitchen installation manual for leg fixing information.

Wall fixing

The appliance tower **MUST** be secured to the wall for extra stability using larder brackets and screws (supplied in the fittings pack). Wall fixing screws have not been provided with this unit due to different wall types requiring different fixings.

NOTE: Where applicable, secure the tower through the fixed back support panel.

Hinge fixing and adjustment

Follow the kitchen installation manual for all hinge and hinge plate fixing.

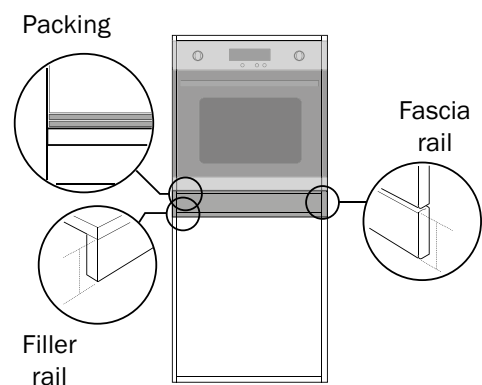
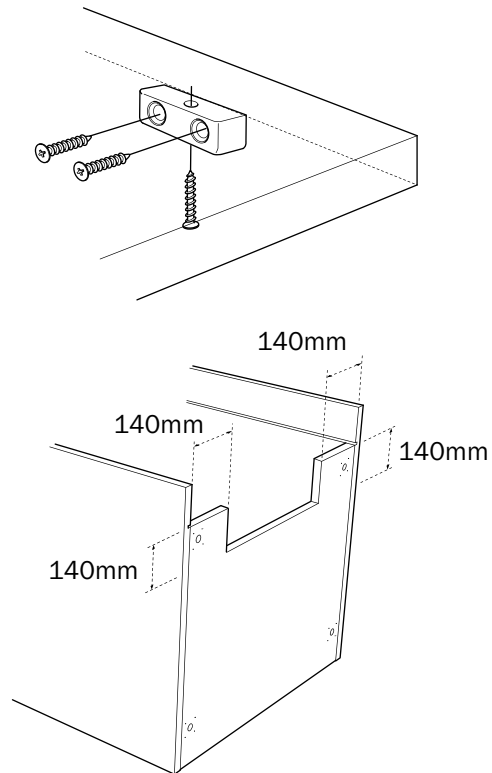
Drawer box assembly and installation (where applicable)

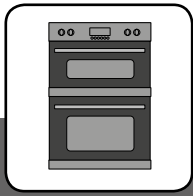
Follow the drawer box section for all assembly and installation information.

Fridge door fixing

For kitchen frontals with a centre panel, the bracket fixing will need to be secured only at the end nearest the door edge.

Place an additional screw in the third hole along from the front to secure.



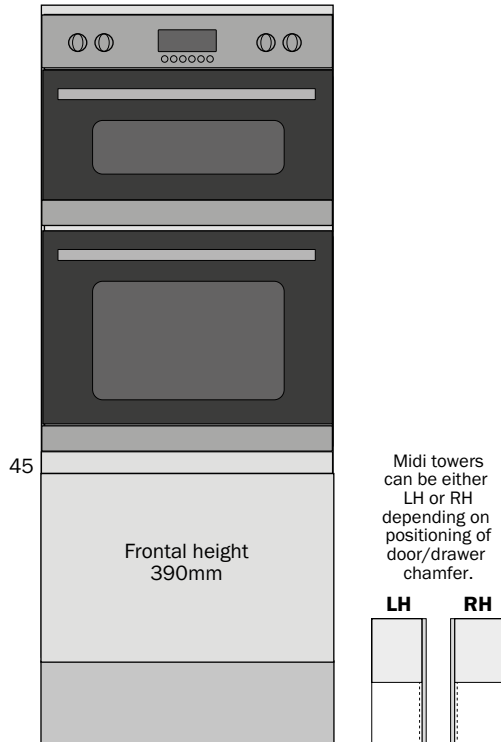


Section 7 - Midi tower shelf configurations

Double oven

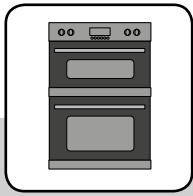
Standard options

45mm Fascia rails required where indicated



1

Fascia rails (frontal): Fascia rails may require scribing depending on the appliance fitted.



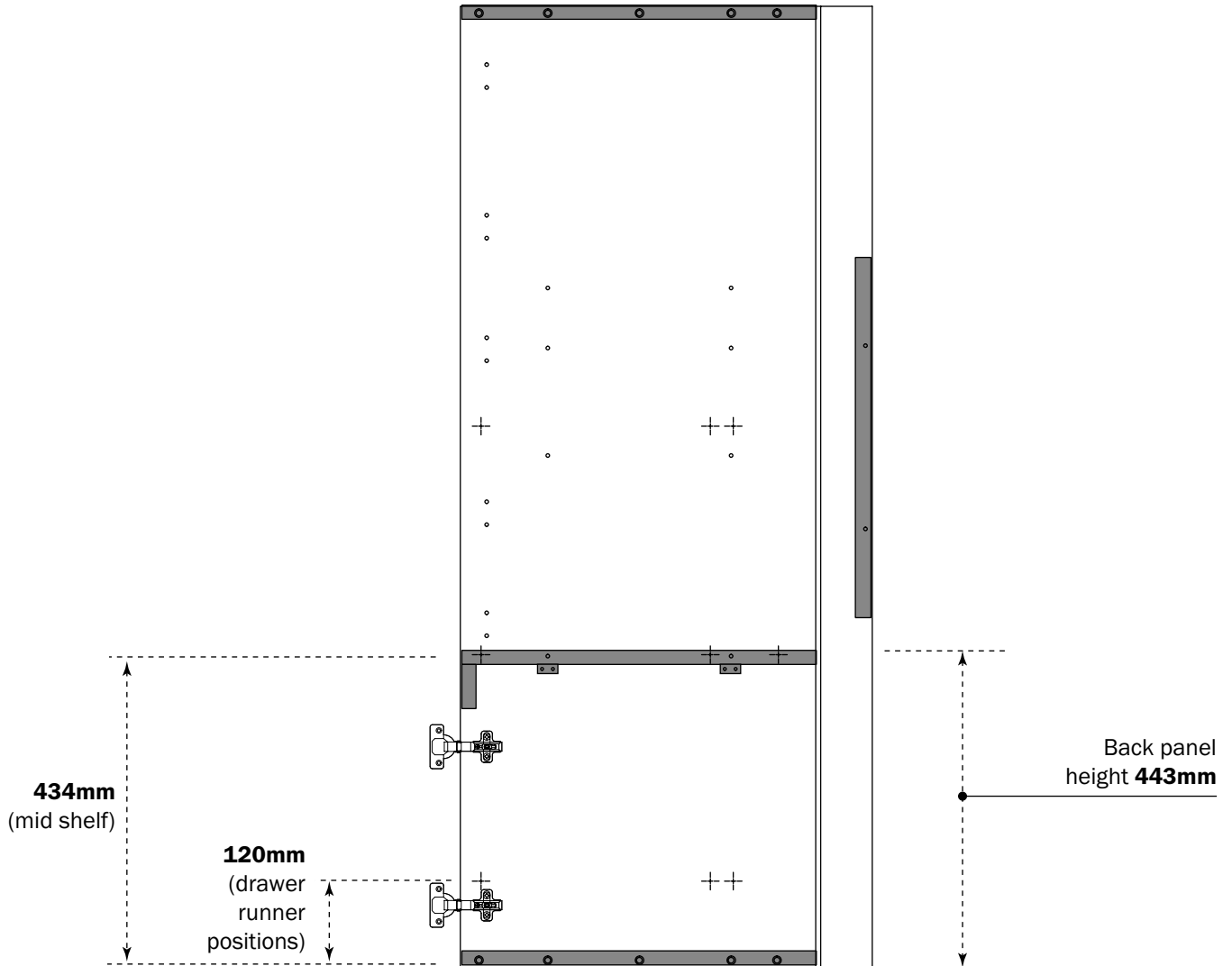
Section 7 - Midi tower shelf configurations

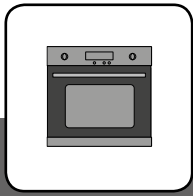
Following the information on this page for positioning shelves and runners.
The dimensions for the shelf positions are to the hole centre.

Double oven

NOTE: Fascia rails may require scribing depending on the appliance fitted.

1



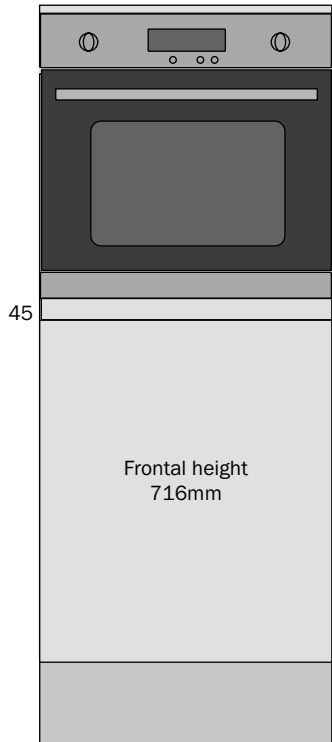


Section 7 - Midi tower shelf configurations

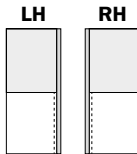
Single oven

Standard options

45mm Fascia rails required where indicated

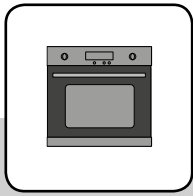


Midi towers
can be either
LH or RH
depending on
positioning of
door/drawer
chamfer.



2

Fascia rails (frontal): Fascia rails may require scribing depending on the appliance fitted.



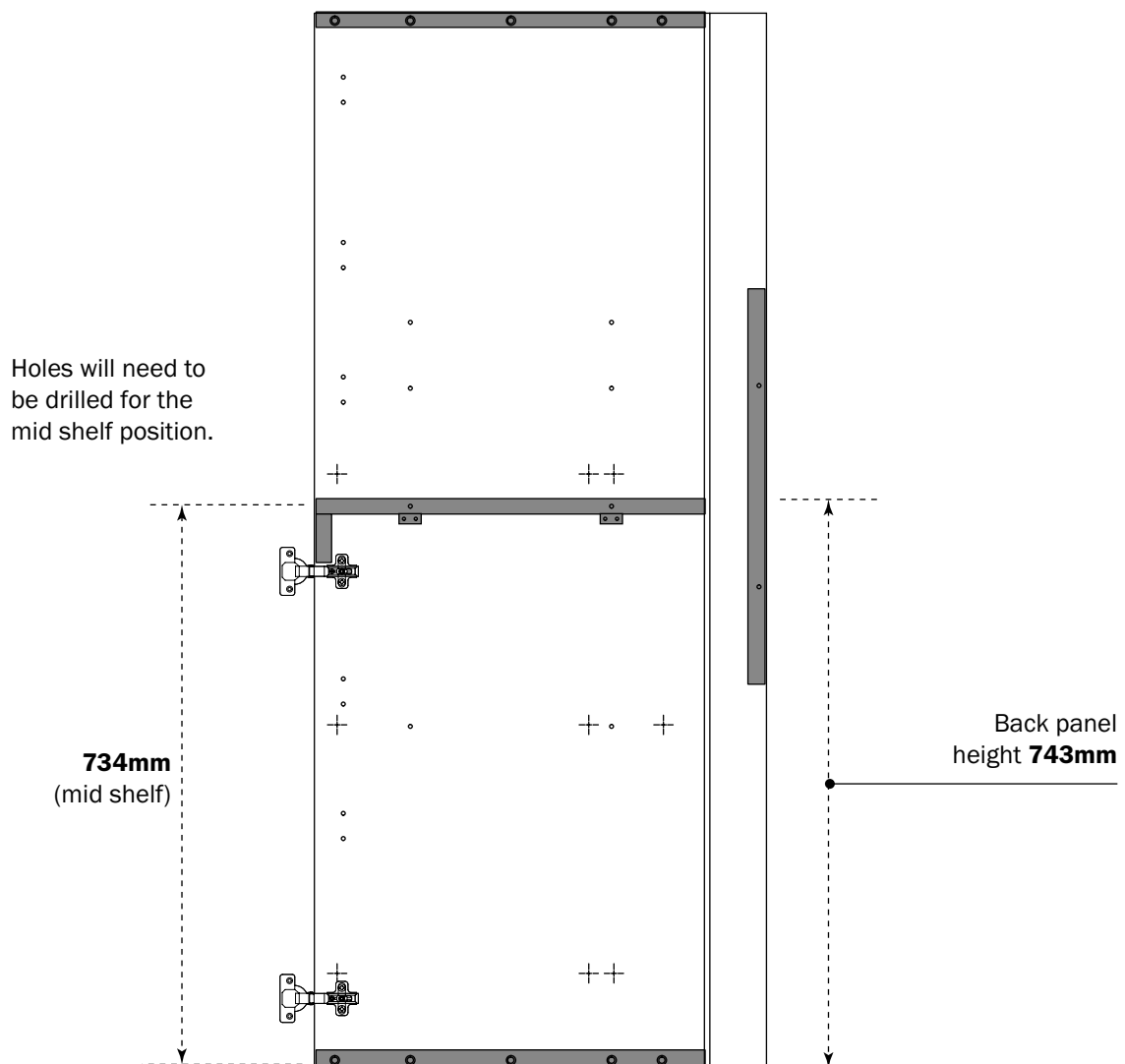
Section 7 - Midi tower shelf configurations

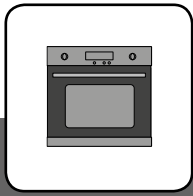
Following the information on this page for positioning shelves and runners.
The dimensions for the shelf positions are to the hole centre.

Single oven

NOTE: Fascia rails may require scribing depending on the appliance fitted.

1

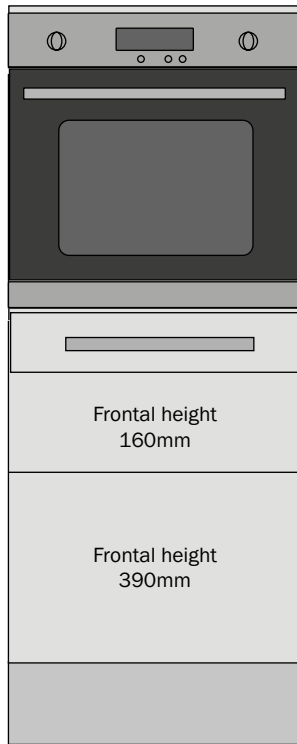




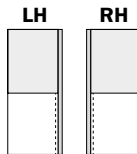
Section 7 - Midi tower shelf configurations

Single oven with warming drawer

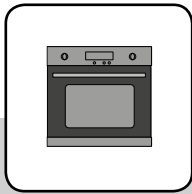
Standard options



Midi towers
can be either
LH or RH
depending on
positioning of
door/drawer
chamfer.



3



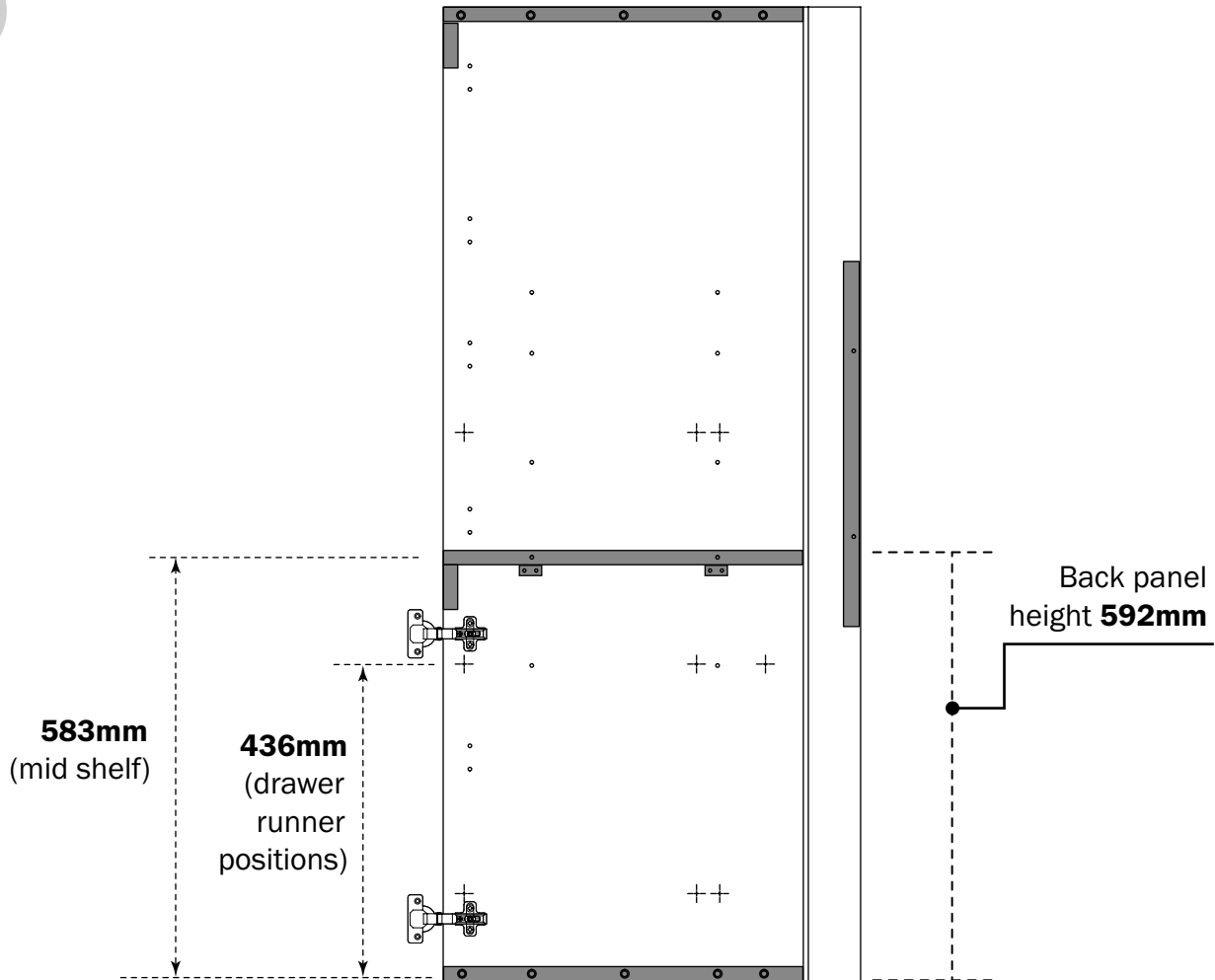
Section 7 - Midi tower shelf configurations

Following the information on this page for positioning shelves and runners.
The dimensions for the shelf positions are to the hole centre.

Single oven with warming drawer

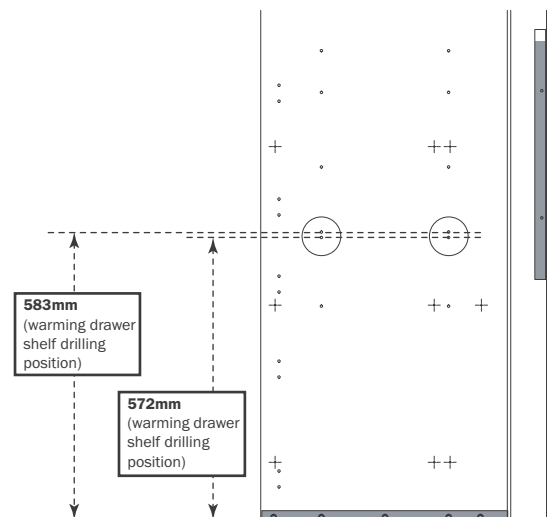
NOTE: Fascia rails may require scribing depending on the appliance fitted.

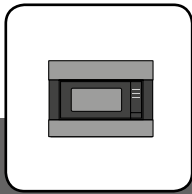
3



Warming drawer shelf positions

The drilling positions for warming drawer application may not be pre-drilled in side panels. If midi appliance tower configuration includes a warming drawer, follow the diagram for marking the correct drilling positions in the side panel as shown.



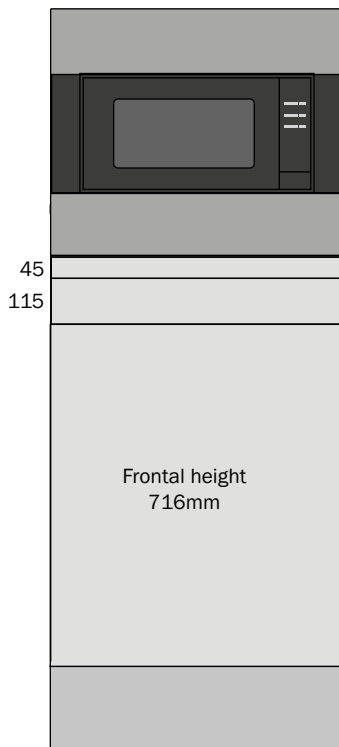


Section 7 - Midi tower shelf configurations

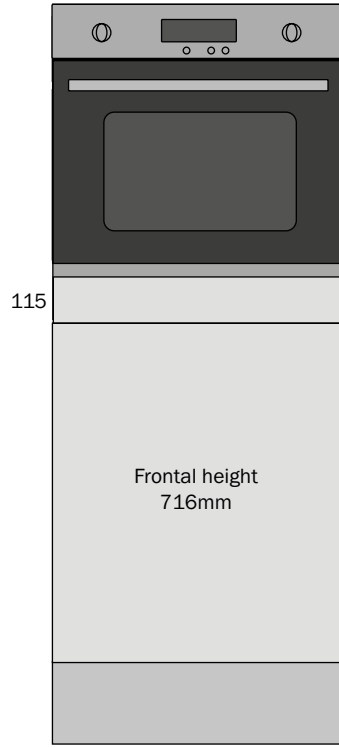
Microwave/Compact oven

Standard options

45mm and 115mm Fascia rails required where indicated

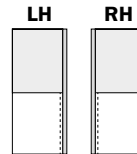


4

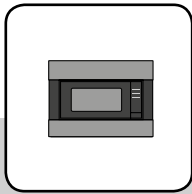


4

Midi towers can be either LH or RH depending on positioning of door/drawer chamfer.



Fascia rails (frontal): Fascia rails may require scribing depending on the appliance fitted.



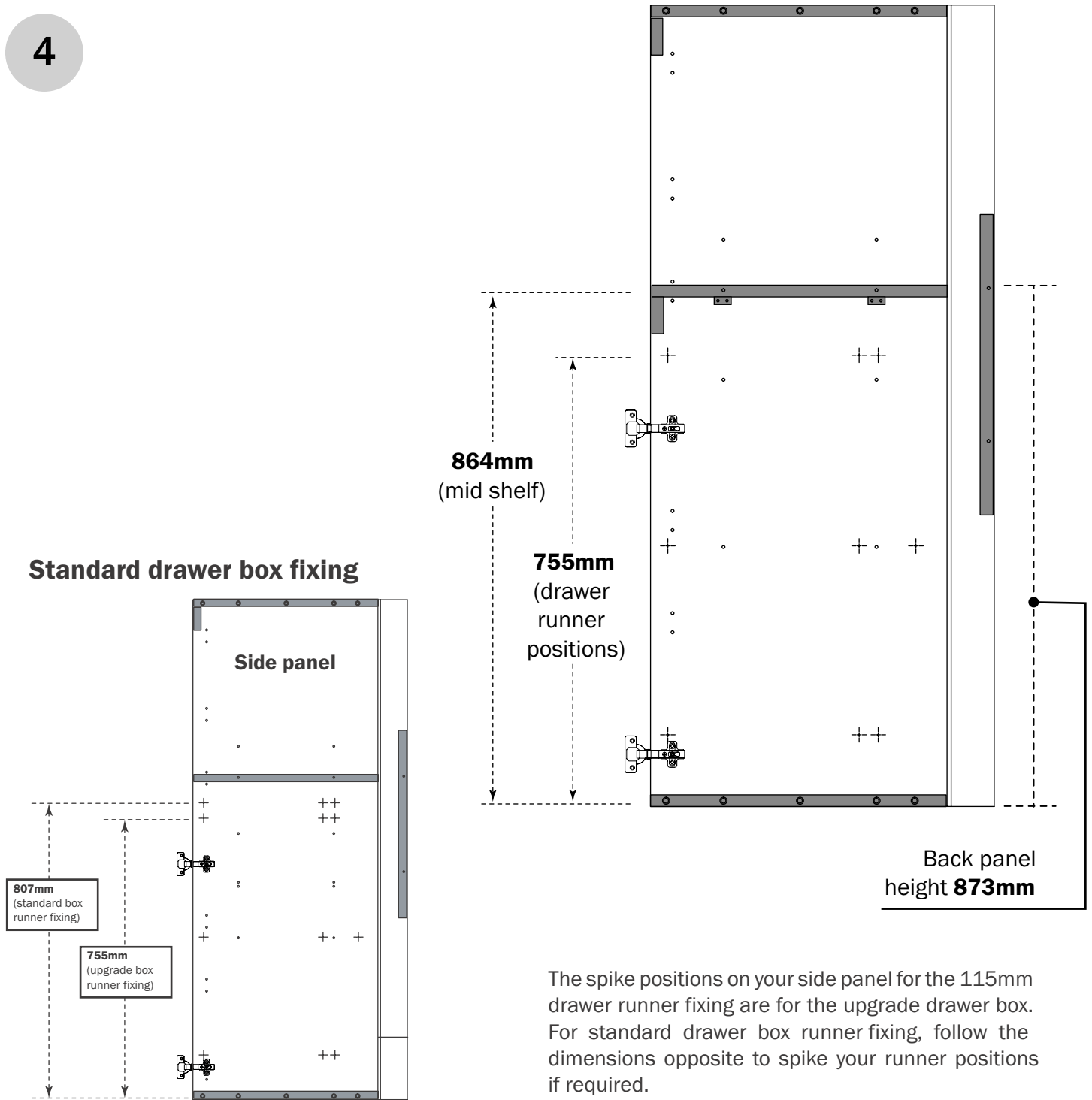
Section 7 - Midi tower shelf configurations

Following the information on this page for positioning shelves and runners.
The dimensions for the shelf positions are to the hole centre.

Microwave/Compact oven

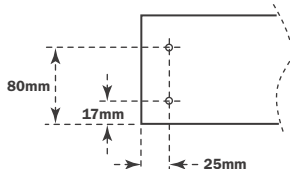
NOTE: Fascia rails may require scribing depending on the appliance fitted.

4

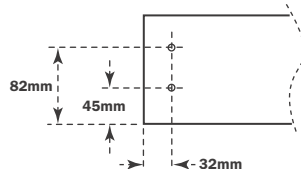


The spike positions on your side panel for the 115mm drawer runner fixing are for the upgrade drawer box. For standard drawer box runner fixing, follow the dimensions opposite to spike your runner positions if required.

Standard box frontal spike positions

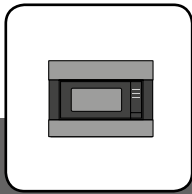


Upgrade box frontal spike positions



In addition to this, the spike positions required on the frontals for both the standard and upgrade box will also change. Please follow the diagram, (left).

NOTE: When fitting a standard drawer box, the filler rail will need to be removed from the underside of the shelf.

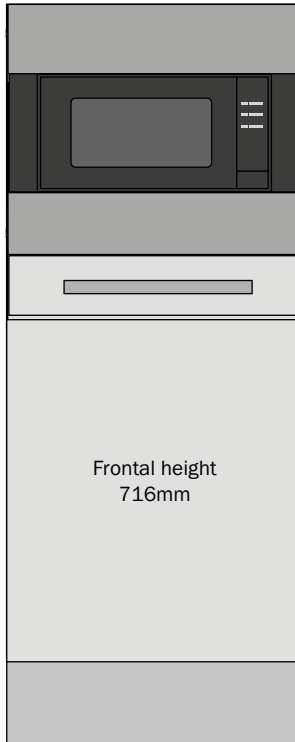


Section 7 - Midi tower shelf configurations

Microwave/Compact oven with warming drawer

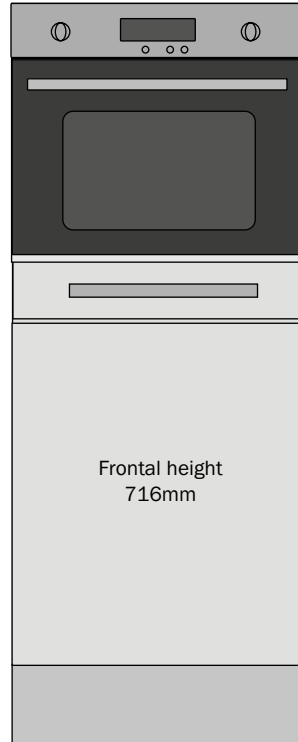
Standard options

Microwave oven and
warming drawer



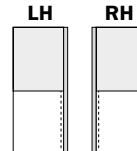
5

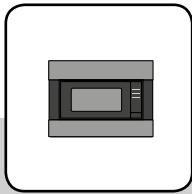
Compact oven and
warming drawer



5

Midi towers
can be either
LH or RH
depending on
positioning of
door/drawer
chamfer.





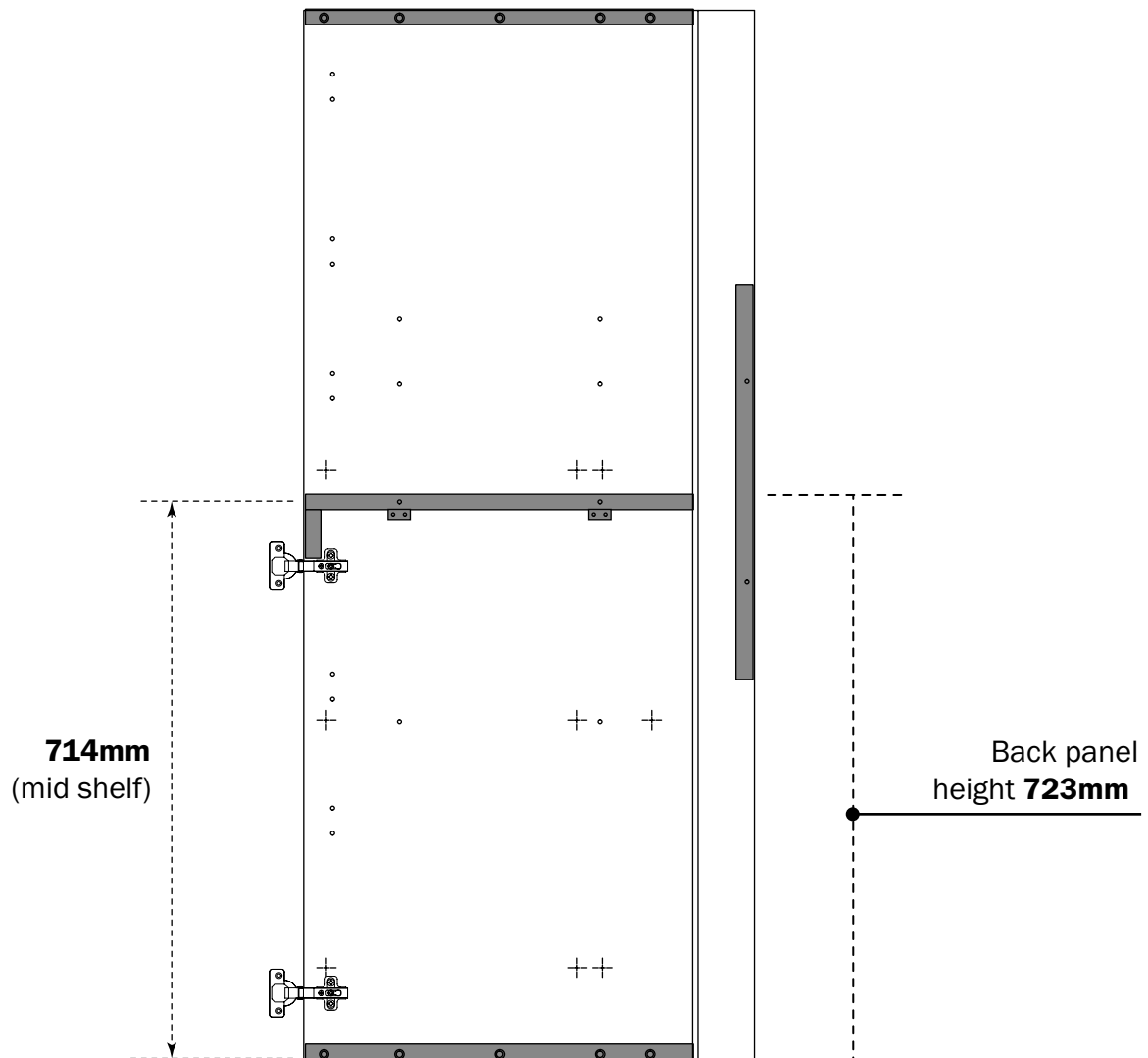
Section 7 - Midi tower shelf configurations

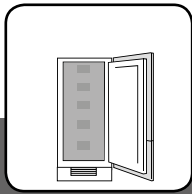
Following the information on this page for positioning shelves and runners.
The dimensions for the shelf positions are to the hole centre.

Microwave/Compact oven with warming drawer

NOTE: Fascia rails may require scribing depending on the appliance fitted.

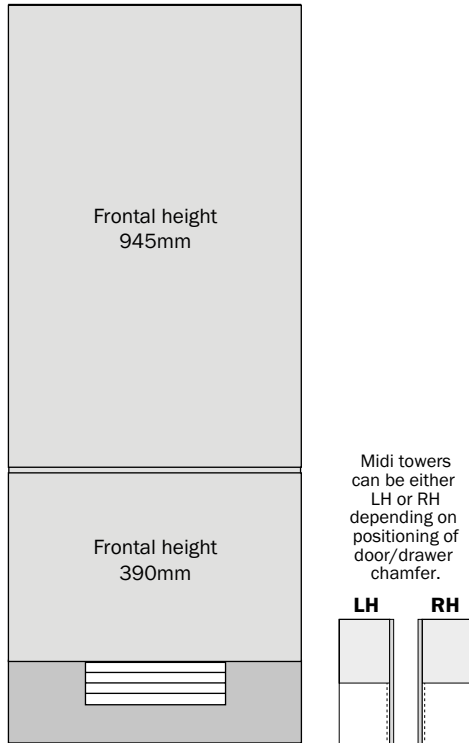
5



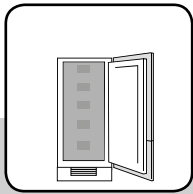


Fridge or freezer option

Standard options



6



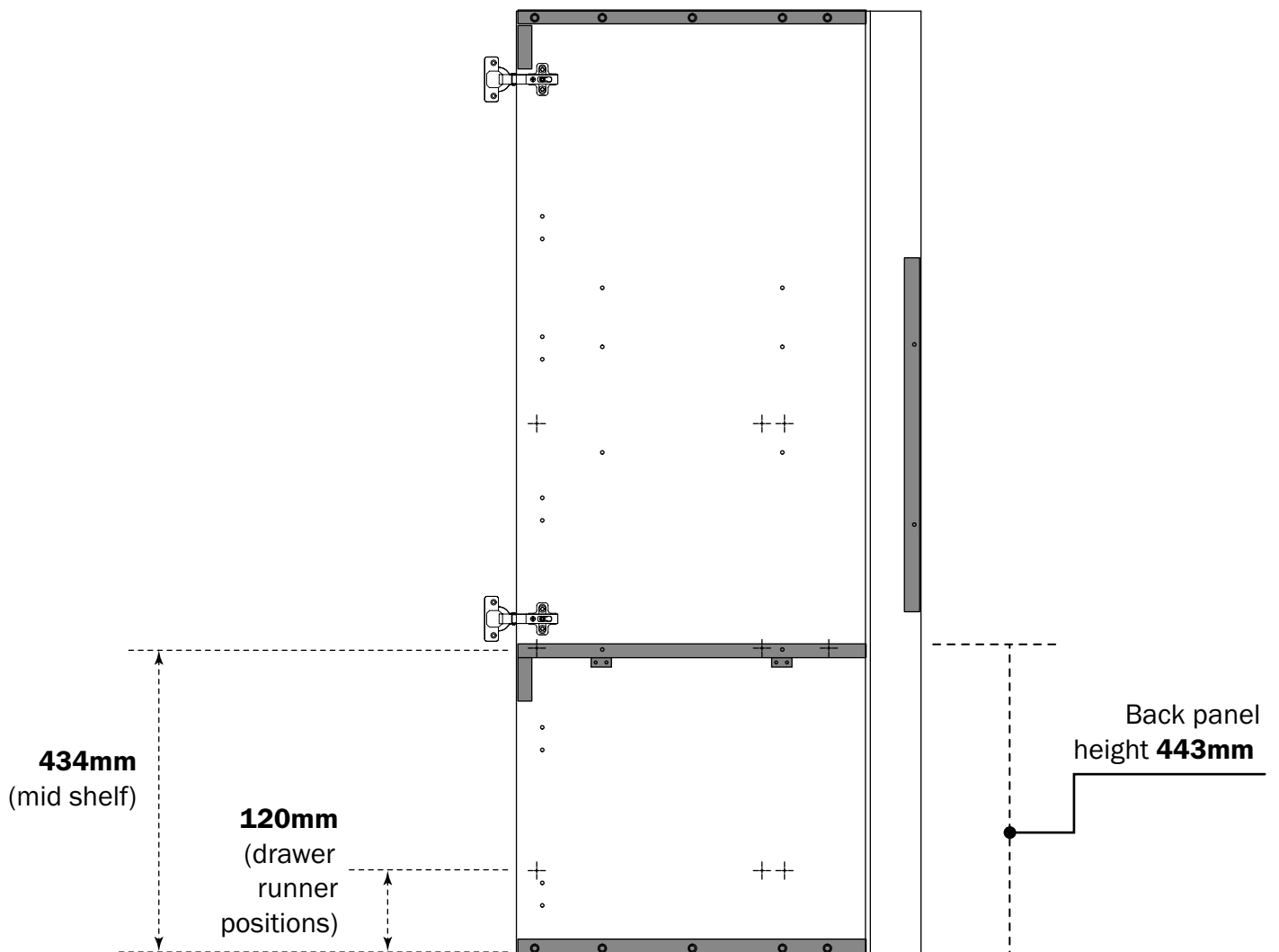
Section 7 - Midi tower shelf configurations

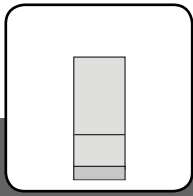
Following the information on this page for positioning shelves and runners.
The dimensions for the shelf positions are to the hole centre.

Fridge or freezer

IMPORTANT: For this midi appliance tower, the mid shelf will need to be cut at the back to allow for ventilation.

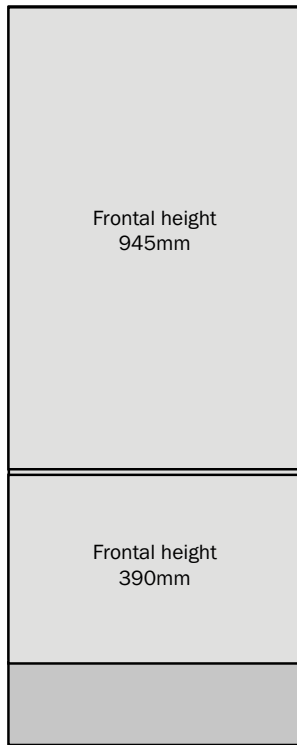
6



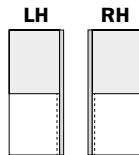


Larder option

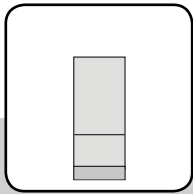
Standard options



Midi towers
can be either
LH or RH
depending on
positioning of
door/drawer
chamfer.



7



Section 7 - Midi tower shelf configurations

Following the information on this page for positioning shelves and runners.
The dimensions for the shelf positions are to the hole centre.

Larder

7

