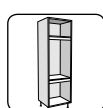


# Section 6

## Appliance tower shelf configurations



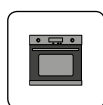
### Cabinet information

How the cabinet is supplied .....	page 122
Additional shelf pack .....	page 123
Cabinet modifications - Back panel .....	page 124
Cabinet modifications - Fitting a top box .....	page 125
Hints and tips for installation .....	page 125



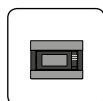
### Double oven

Double oven (inc. with warming drawer) .....	page 128
Double oven with additional appliances and drawer .....	page 131



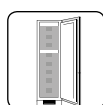
### Single oven

Single oven .....	page 133
Single oven with additional appliances and drawer .....	page 137
Single oven with warming drawer and additional microwave .....	page 139



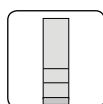
### Microwaves/compact oven

Microwave/compact oven .....	page 144
Microwave/compact oven with additional appliances .....	page 147
Microwave/compact oven with fridge/freezer .....	page 149
Microwave/compact oven with warming drawer .....	page 151
Compact oven and two drawer application .....	page 153



### Tower fridge or freezer options

Tower fridge or freezer options .....	page 154
50/50 Tower fridge and freezer (two appliance) options .....	page 156
50/50 Tower fridge/freezer (one appliance) options .....	page 158
70/30 Tower fridge/freezer (one appliance) options .....	page 160
Full height larder fridge/freezer options .....	page 163



### Larder tower options

Larder tower options .....	page 166
----------------------------	----------

### Bosch appliances

Bosch washing machine .....	page 169
Bosch washer dryer .....	page 170

### Half height frontals

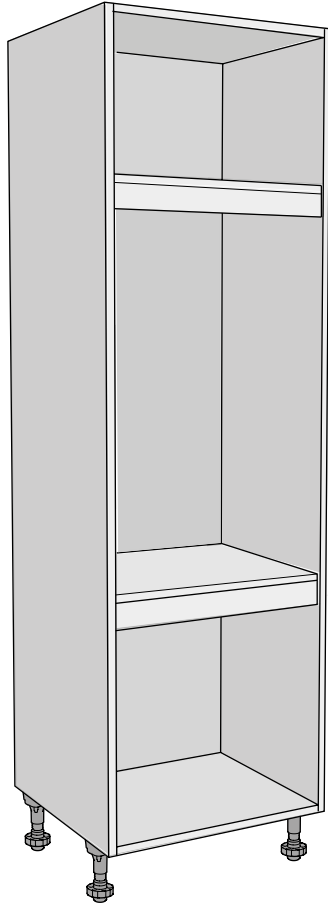
Half height frontals .....	page 171
Profile kitchen - Half height frontals .....	page 173



## Section 6 - Appliance tower shelf configurations

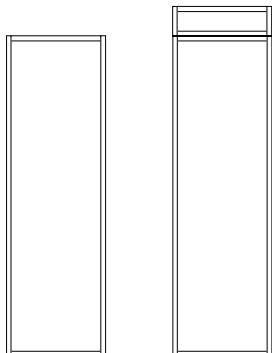
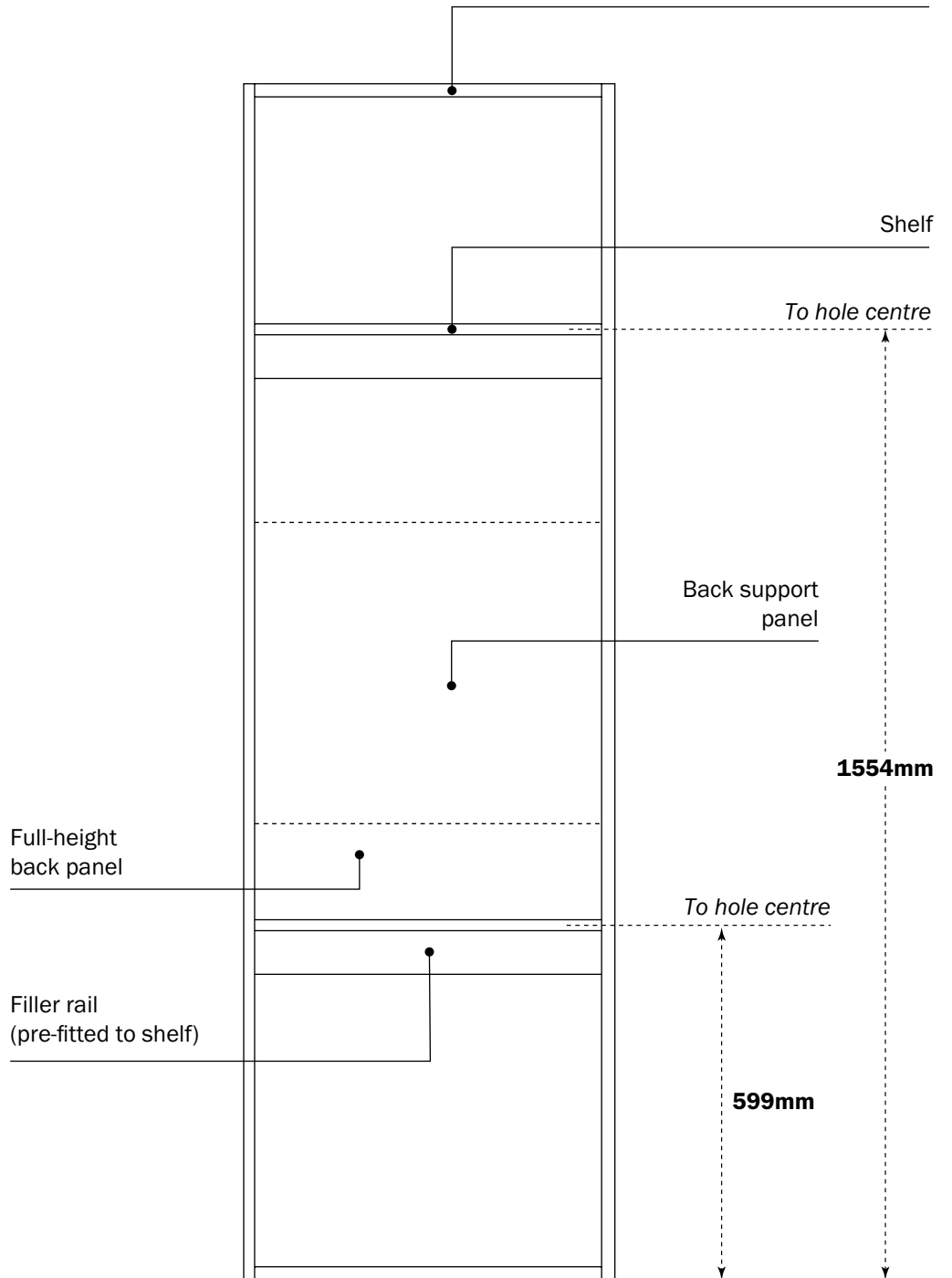
# How the cabinet is supplied

The appliance tower is supplied in a standard height, with pre-fitted shelves to the **DOUBLE OVEN** configuration, ready for you to tailor the specific appliance requirements.



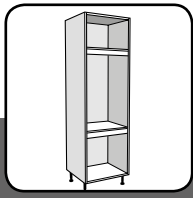
**Double oven configuration**

The front edge of the top panel will have pre-spiked drill holes for fascia rail fixing if required



Standard height tower **1942mm**

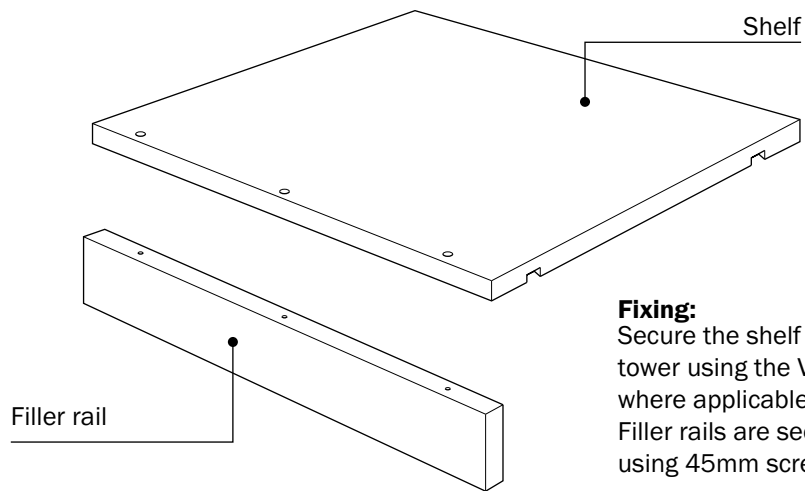
Extra tall height tower **2122mm**  
(includes **180mm** top box)



## Section 6 - Appliance tower shelf configurations

# Additional shelf pack

Shelf packs are required for certain appliance tower configurations. These are indicated at each section where required and will be included in the relevant sales code.



**Fixing:**

Secure the shelf into the appliance tower using the VB cams and studs where applicable.

Filler rails are secured to the shelf using 45mm screws.



## Section 6 - Appliance tower shelf configurations

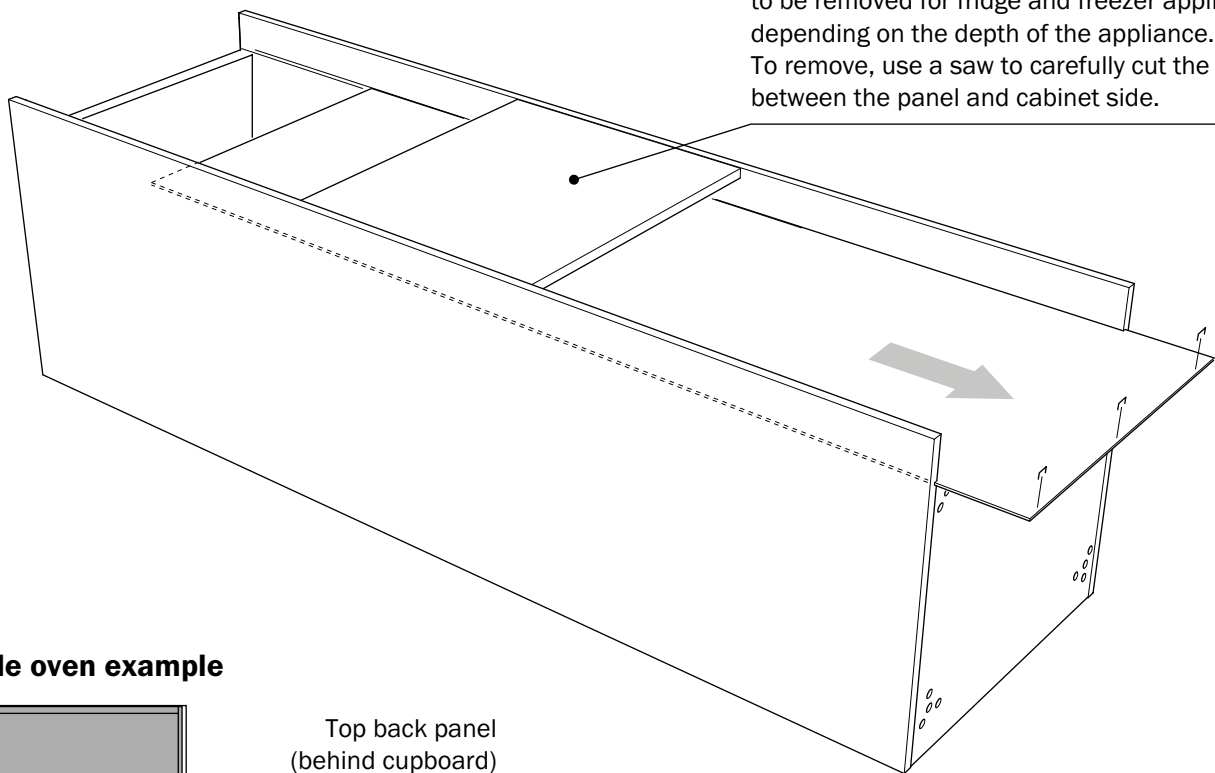
# Cabinet modification - Back panel

All appliance towers will require the back panel to be modified or removed completely. This is due to the different appliance configurations.

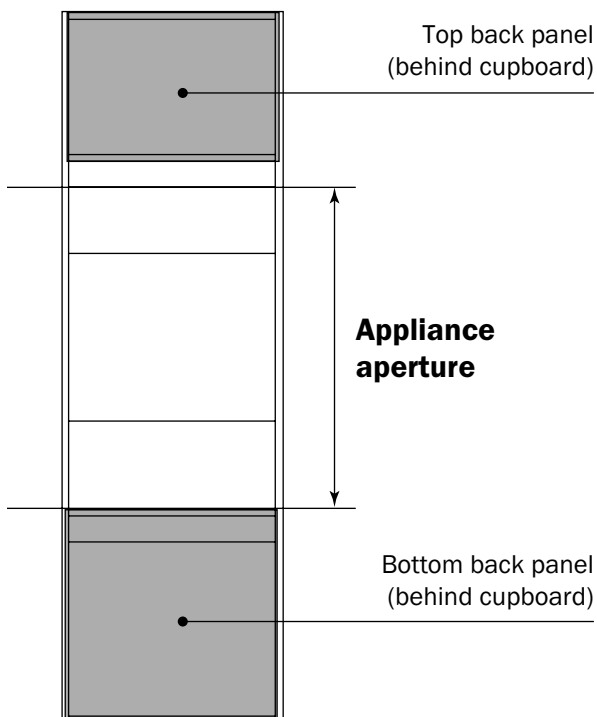
**NOTE: As a general rule, the back panel is only required behind a cupboard. The appliance aperture must not be enclosed due to ventilation.**

Remove the staples and slide the back panel from the unit.  
Cut panel to the appropriate sizes (see individual tower configuration pages for back panel sizes) and re-fit using the panel pins to secure to the back of the shelf panels.

**NOTE:** The fixed back support panel may need to be removed for fridge and freezer applications depending on the depth of the appliance.  
To remove, use a saw to carefully cut the dowels between the panel and cabinet side.



### Double oven example



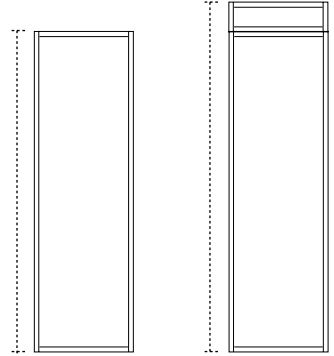
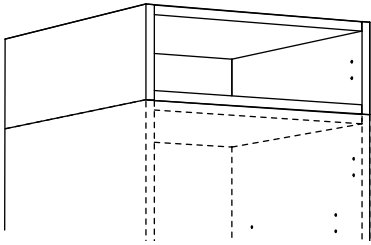
**NOTE:** Do not discard any of the cut back panel at this stage. Parts of the back panel may be required for packing under your appliance due to size variations.



## Section 6 - Appliance tower shelf configurations

# Cabinet modification - Fitting a top box

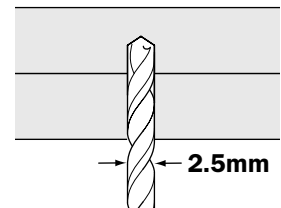
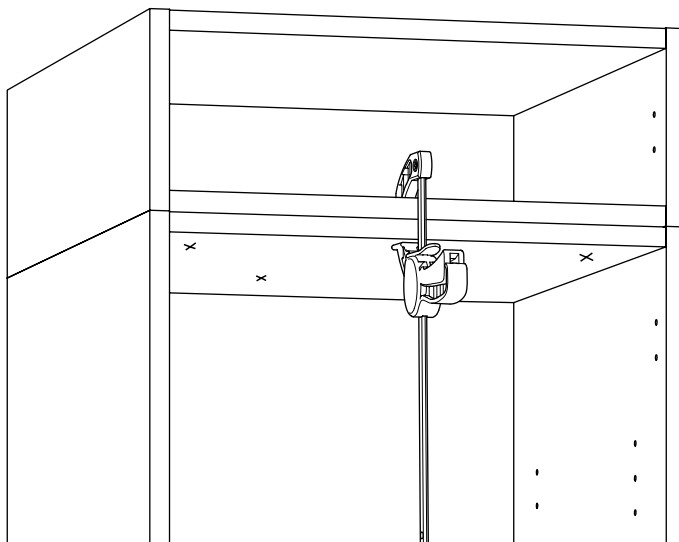
Fit a top box to the appliance tower cabinet to make an extra tall tower.



Standard height tower **1942mm**

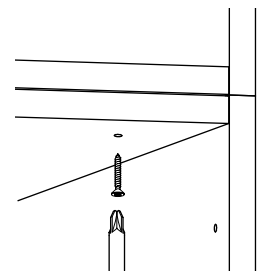
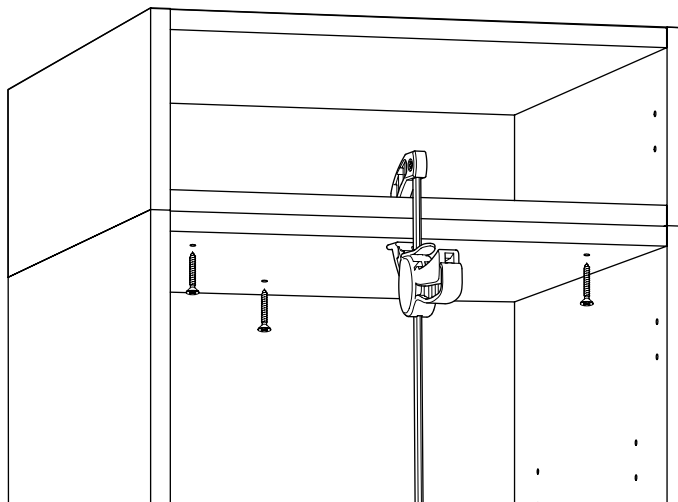
Extra tall height tower **2122mm**  
(includes **180mm** top box)

**1**



**x3 2.5mm Hole**

**2**



**30mm Screw x3**



## Section 6 - Appliance tower shelf configurations

# Hint and tips for installation

The information below relates to the appliance tower installation and modification. Please read the information below before starting the cabinet build.

**P** If you are installing appliance towers in a run ensure a **30mm gap is left between for profile fixing.**

**IMPORTANT: All dimensions shown for the shelf configurations are measured to the centre of the fixing hole.**

### Shelves

All load bearing shelves must have KD blocks fitted underneath for extra strength and stability. Secure with 25mm screws.

**NOTE:** If the appliance being fitted clashes with the KD blocks, use metal larder brackets as a replacement.

### Shelf cut outs

If using the appliance tower in a fridge or freezer application, the base shelves will require cutting at the back for ventilation. Follow the diagram (right) for cutting dimensions.

**NOTE:** The same dimensions apply when cutting the mid shelf in the fridge and freezer application.

### Plinth vents

If using the appliance tower in a fridge or freezer application, the plinth should be fitted with a vent.

### Filler rails (part of supplied cabinet)

Cabinet filler rails may require scribing/removing, depending on the appliance fitted. Remove the panel from the shelf to scribe. In some applications, (711mm height shelf position), the filler should be positioned horizontally.

### Fascia rails (frontal)

Fascia rails may require scribing depending on the appliance fitted.

### Appliance sizes

Due to variations in appliance sizes, packing may be required under the appliance to achieve a slightly raised level. Use 'cut off's' from your back panel for this purpose. Screws are provided to secure in place.

Dishwashers and washing machines are not suitable for use within appliance towers.

### Leg fixing

Follow the kitchen installation manual for leg fixing information.

### Wall fixing

The appliance tower **MUST** be secured to the wall for extra stability using larder brackets and screws (supplied in the fittings pack). Wall fixing screws have not been provided with this unit due to different wall types requiring different fixings.

**NOTE:** Where applicable, secure the tower through the fixed back support panel.

### Hinge fixing and adjustment

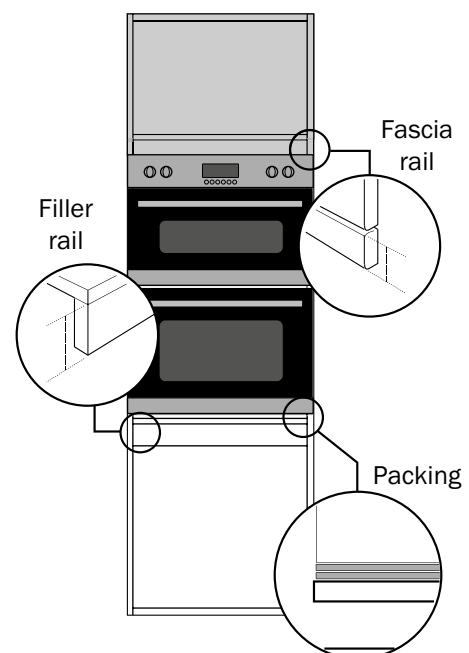
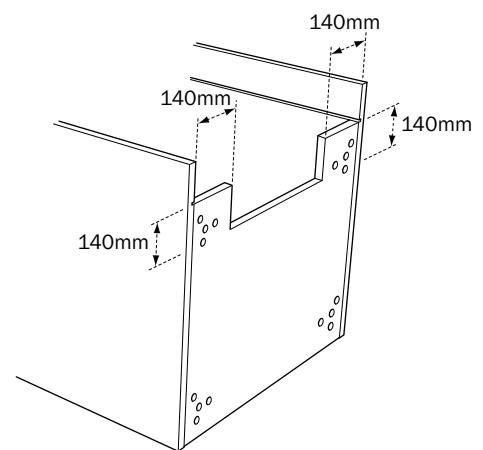
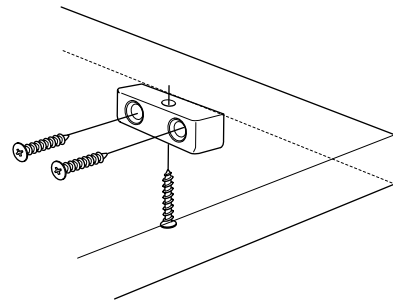
Follow the kitchen installation manual for all hinge and hinge plate fixing.

### Drawer box assembly and installation (where applicable)

Follow the drawer box section for all assembly and installation information.

### Fridge door fixing

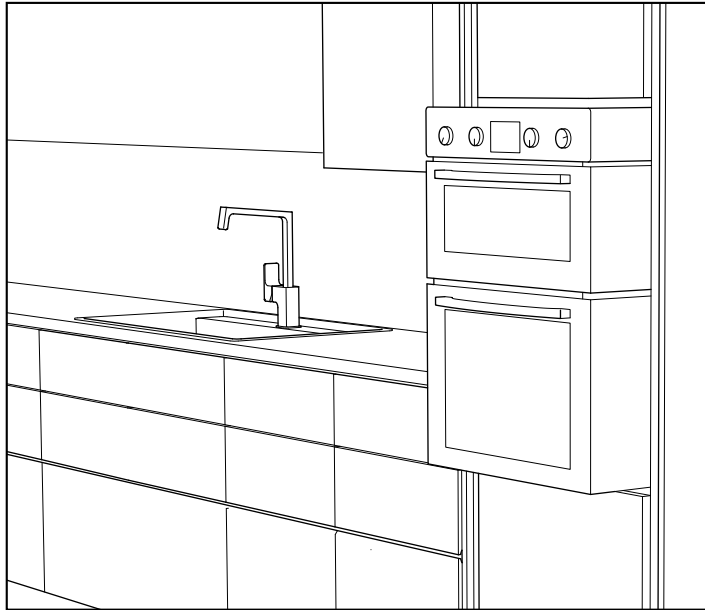
For kitchen frontals with a centre panel, the bracket fixing will need to be secured only at the end nearest the door edge. Place an additional screw in the third hole along from the front to secure.





## Section 6 - Appliance tower shelf configurations

# Hint and tips for installation

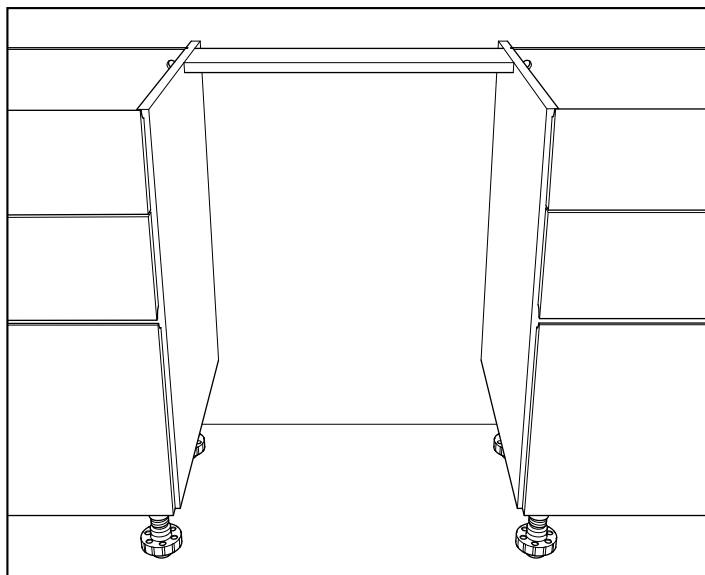
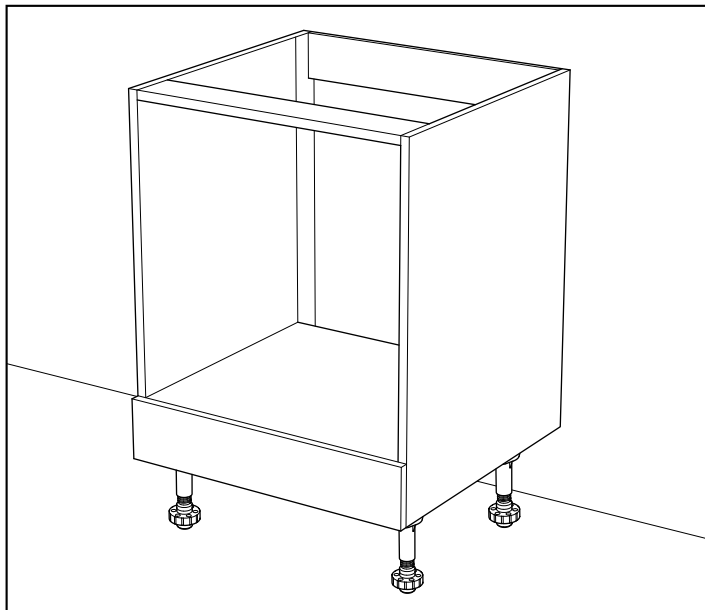


If electric or gas appliances are to be built into the cabinets, please ensure you read the appliance tower section and comply with the appliance dimensional requirements before fitting.

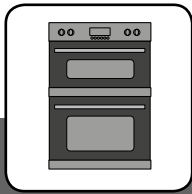
Finally fit appliance(s) and make the necessary supply connections. All connections should be made by a qualified person.

You may need to drill through the profile to secure your appliance to the cabinet.

**NOTE:** The 600 oven housing base comes with oven support rails, these rails must be moved in line with the feet on the oven housing, (if applicable) prior to fixing.



**NOTE:** When fitting an appliance between two cabinets, we recommend a rail, (drawer support rail be used), is positioned at the back aligned with the top of the cabinets to ensure the appliance when fitted is stable.



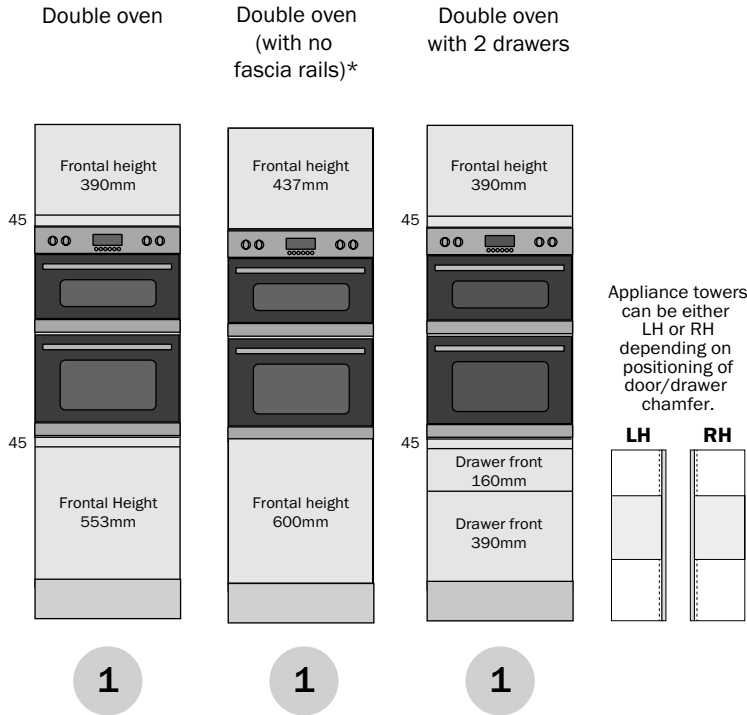
## Section 6 - Appliance tower shelf configurations

# Double oven

The information below shows the cabinet configurations that can be achieved when installing a double oven. Each overview page is followed by the shelf configurations applicable to the appliance shown.

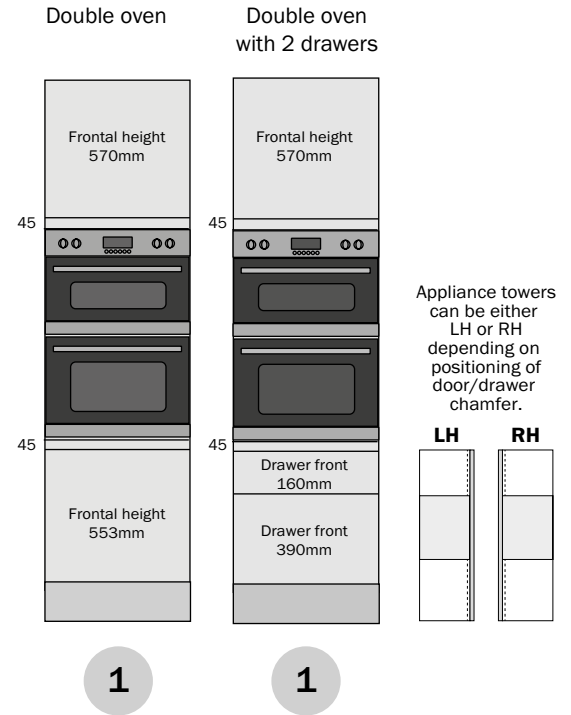
### Standard options

45mm Fascia rails required where indicated



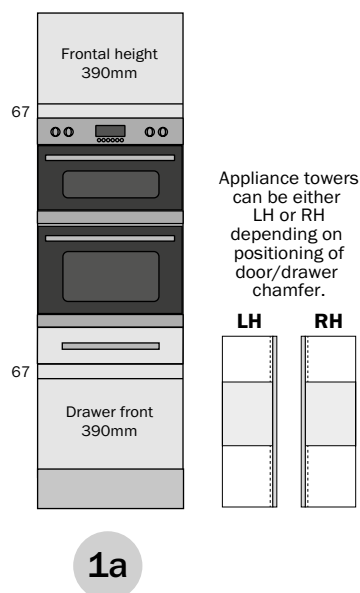
### Extra tall options

45mm Fascia rails required where indicated



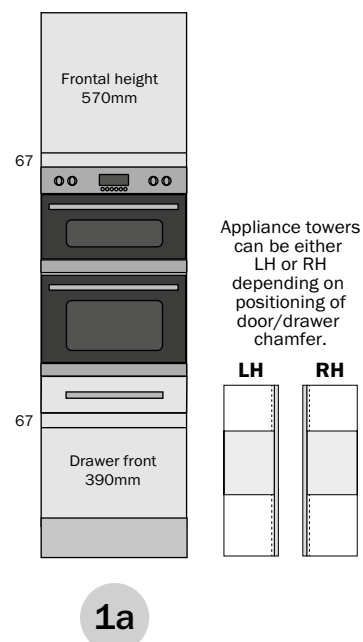
### Double oven with warming drawer

67mm Fascia rails required where indicated



### Double oven with warming drawer

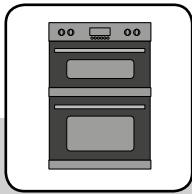
67mm Fascia rails required where indicated



**Fascia rails (frontal):** Fascia rails may require scribing depending on the appliance fitted.

\* Range dependent.





## Section 6 - Appliance tower shelf configurations

Following the information on this page for positioning shelves and back panels.  
**The dimensions for the shelf positions are to the hole centre.**

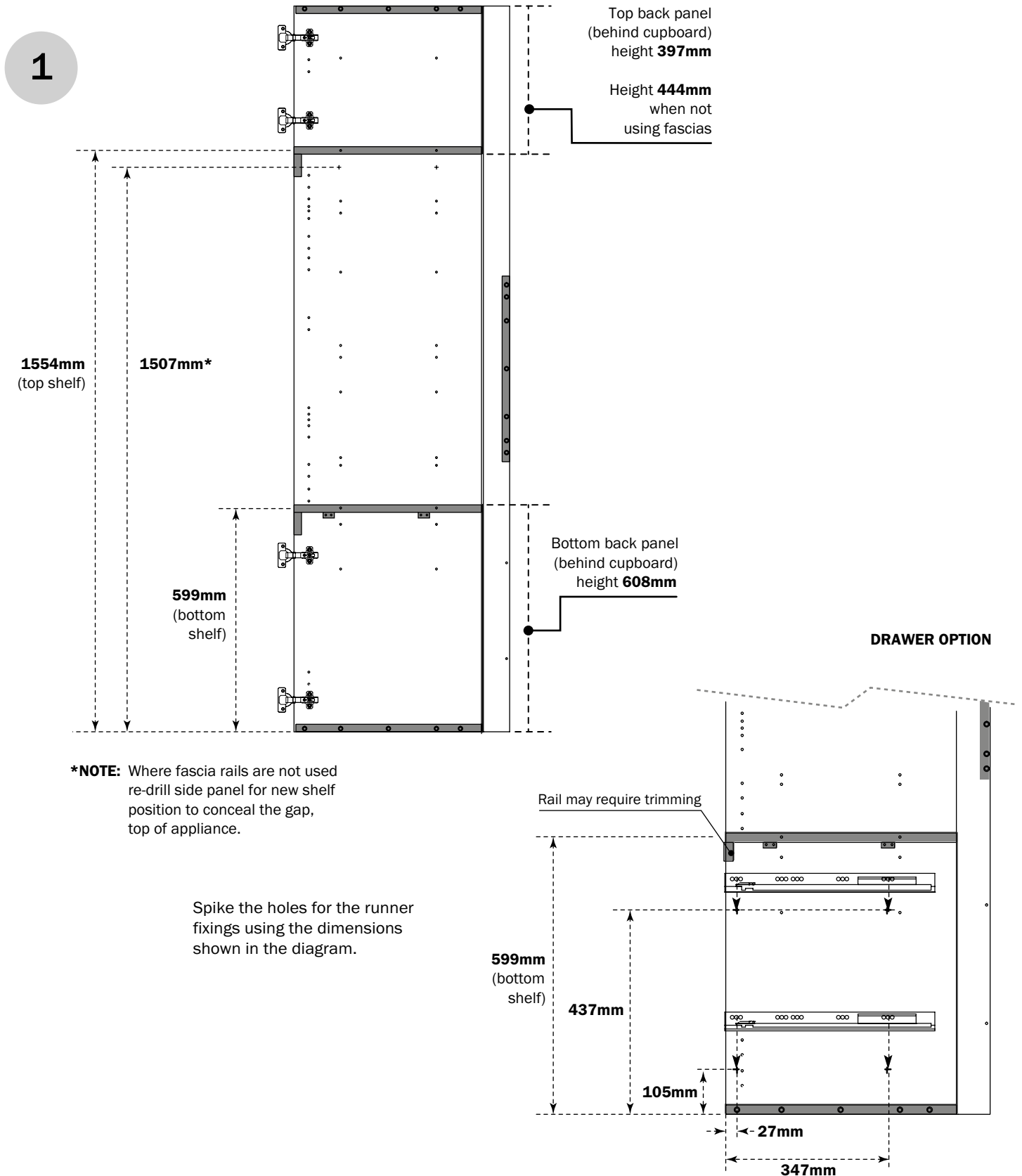
### Double oven

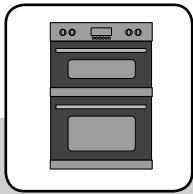
#### NOTES:

Fascia rails may require scribing depending on the appliance fitted.

Shelf configurations are identical for standard height and tall options.

For tall options a 180mm box is fitted to the top of the tower (upper door hinge moves into top box for door fixing).





## Section 6 - Appliance tower shelf configurations

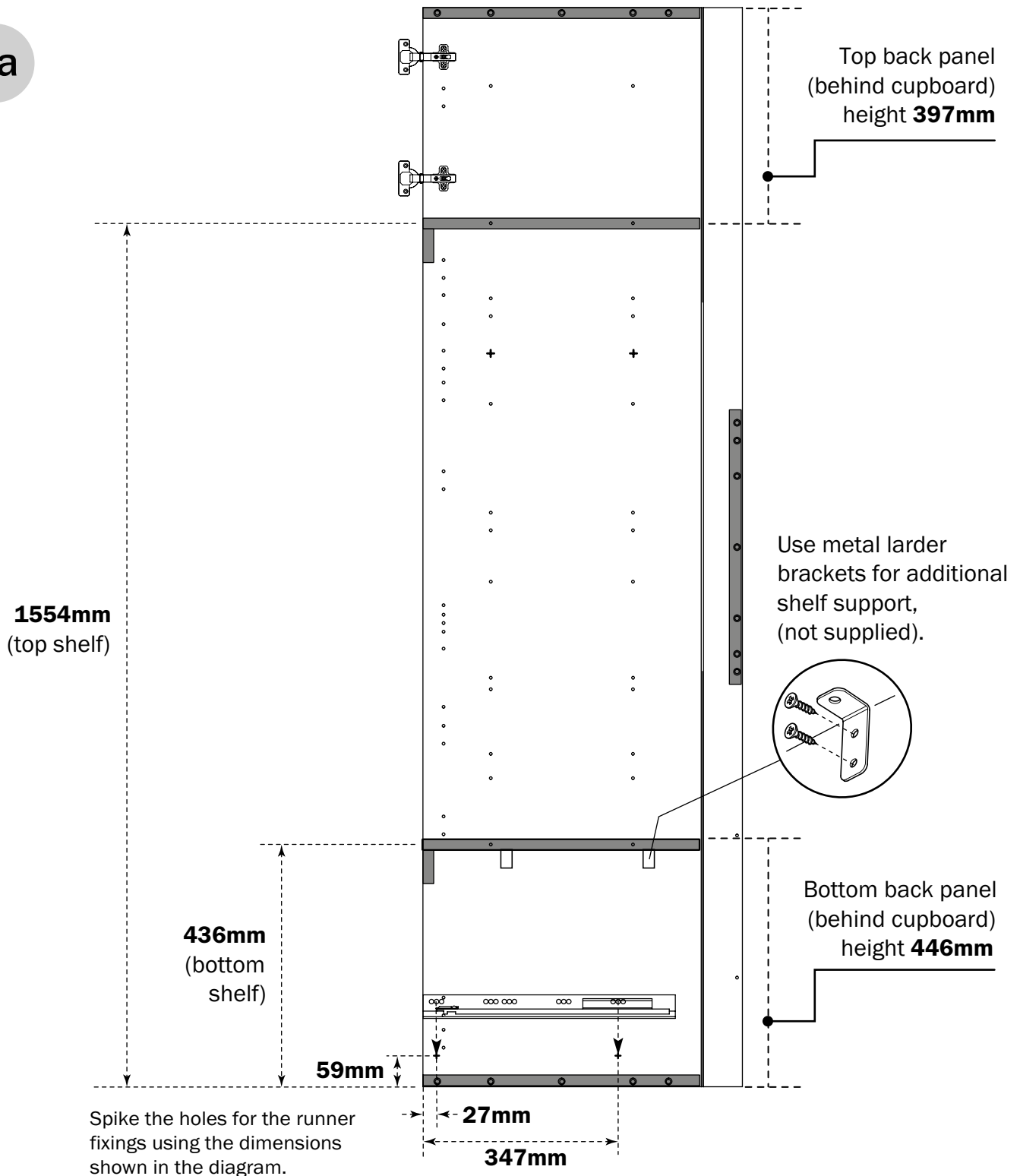
Following the information on this page for positioning shelves and runners.  
**The dimensions for the shelf positions are to the hole centre.**

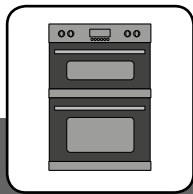
### Double oven with warming drawer

#### NOTES:

Fascia rails may require scribing depending on the appliance fitted.  
Shelf configurations are identical for standard height and tall options.

1a





## Section 6 - Appliance tower shelf configurations

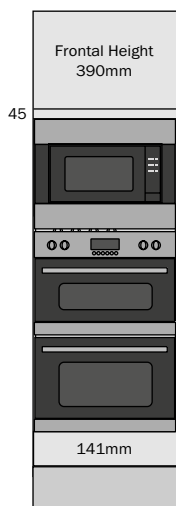
# Double oven - With additional appliance and drawer

The information below shows the cabinet configurations that can be achieved when installing a double oven. Each overview page is followed by the shelf configurations applicable to the appliance shown.

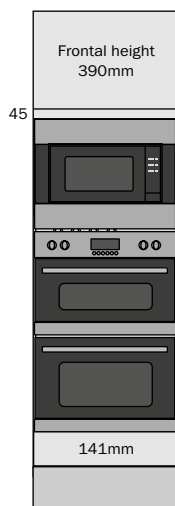
### Standard options

45mm Fascia rails required where indicated

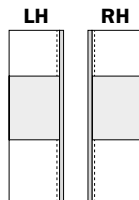
Double oven with microwave



Double oven with microwave and 1 drawer



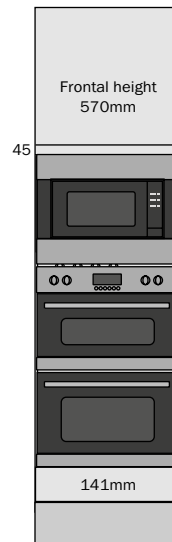
Appliance towers can be either LH or RH depending on positioning of door/drawer chamfer.



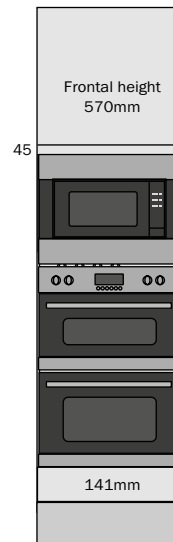
### Extra tall options

45mm Fascia rails required where indicated

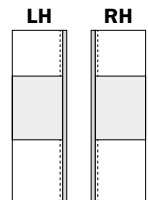
Double oven with microwave



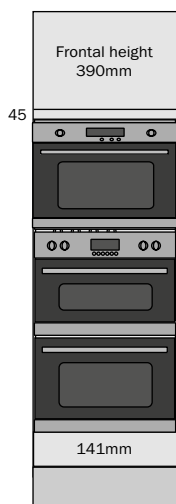
Double oven with microwave and 1 drawer



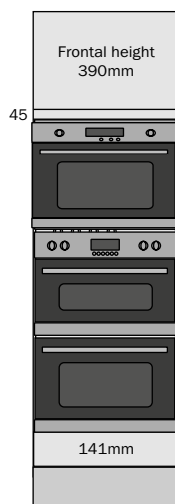
Appliance towers can be either LH or RH depending on positioning of door/drawer chamfer.



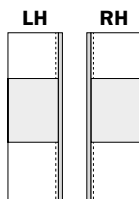
Double oven with compact oven



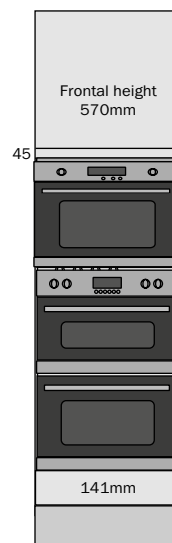
Double oven with compact oven and 1 drawer



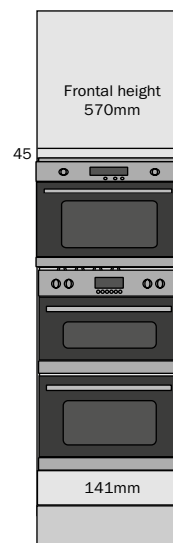
Appliance towers can be either LH or RH depending on positioning of door/drawer chamfer.



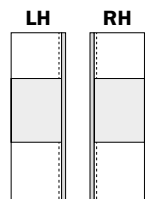
Double oven with compact oven



Double oven with compact oven and 1 drawer

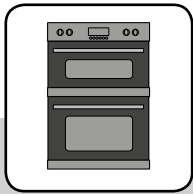


Appliance towers can be either LH or RH depending on positioning of door/drawer chamfer.



**Note:** This configuration also applies to steam ovens and coffee makers (non Howdens appliances).

**Fascia rails (frontal):** Fascia rails may require scribing depending on the appliance fitted.



## Section 6 - Appliance tower shelf configurations

Following the information on this page for positioning shelves and back panels.  
**The dimensions for the shelf positions are to the hole centre.**

### Double oven with additional appliance and drawer

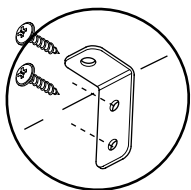
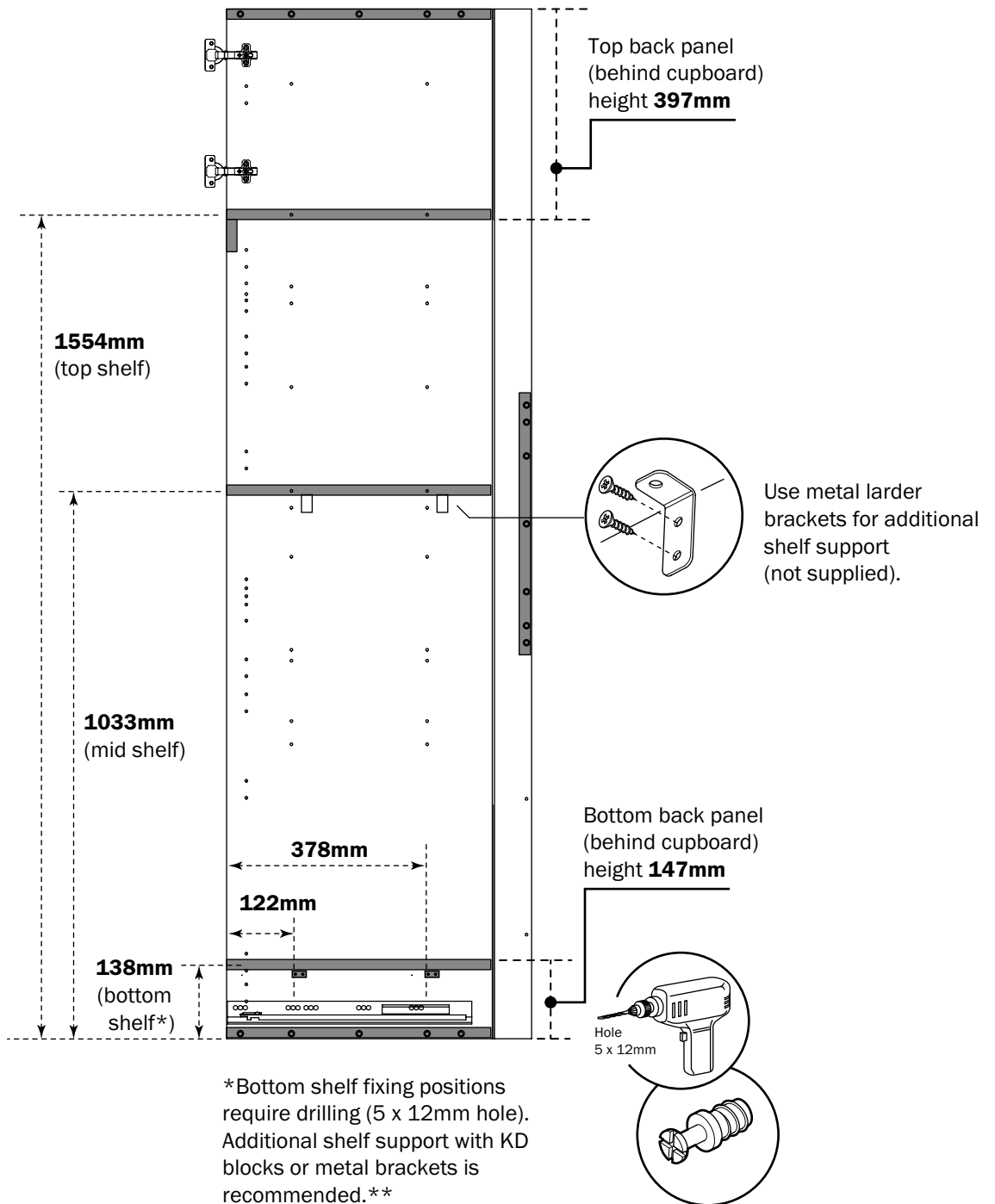
#### NOTES:

Fascia rails may require scribing depending on the appliance fitted.

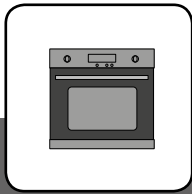
Shelf configurations are identical for standard height and tall options.

For tall options a 180mm box is fitted to the top of the tower (upper door hinge moves into top box for door fixing).

2



\*\*NOTE: When a drawer box is being fitted, use the metal brackets (shown left), as replacement for the KD blocks.



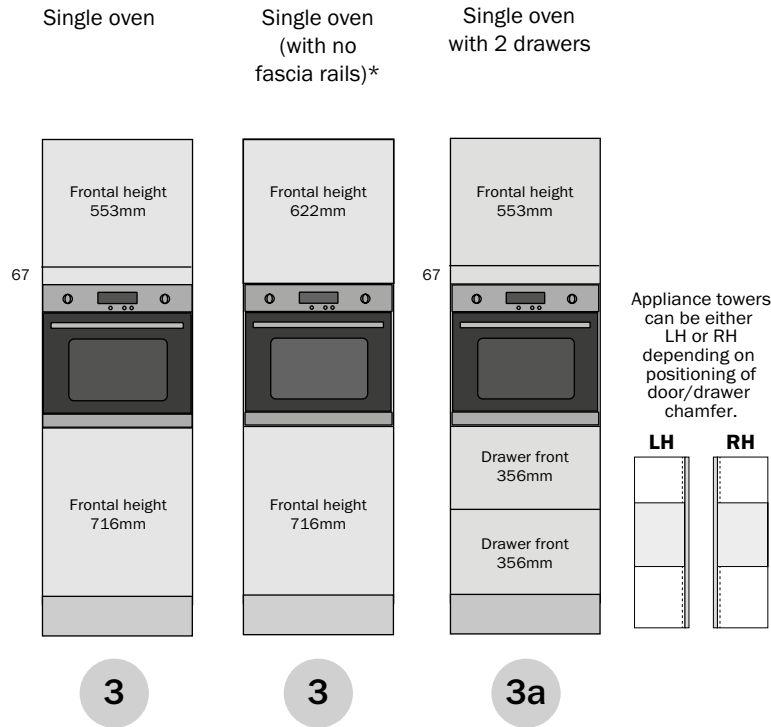
## Section 6 - Appliance tower shelf configurations

# Single oven

The information below shows the cabinet configurations that can be achieved when installing a single oven. Each overview page is followed by the shelf configurations applicable to the appliance shown.

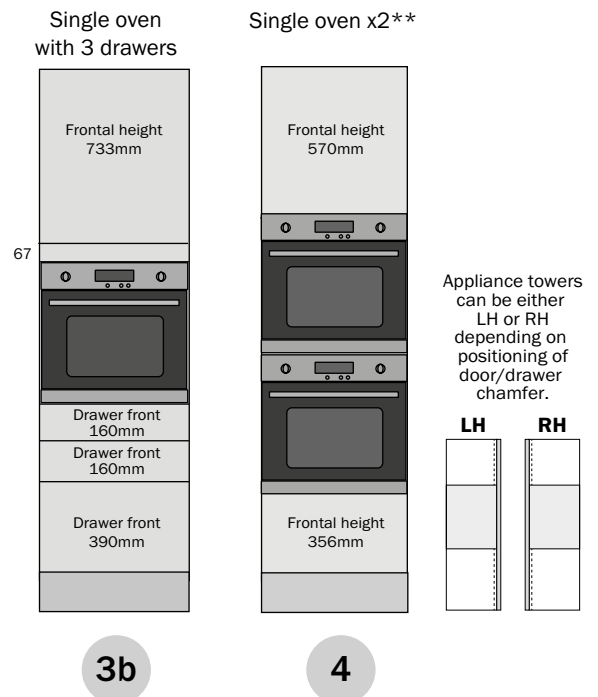
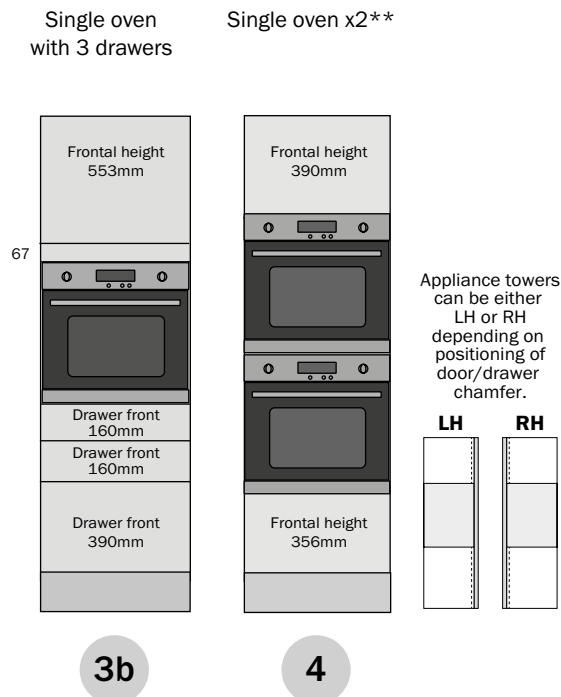
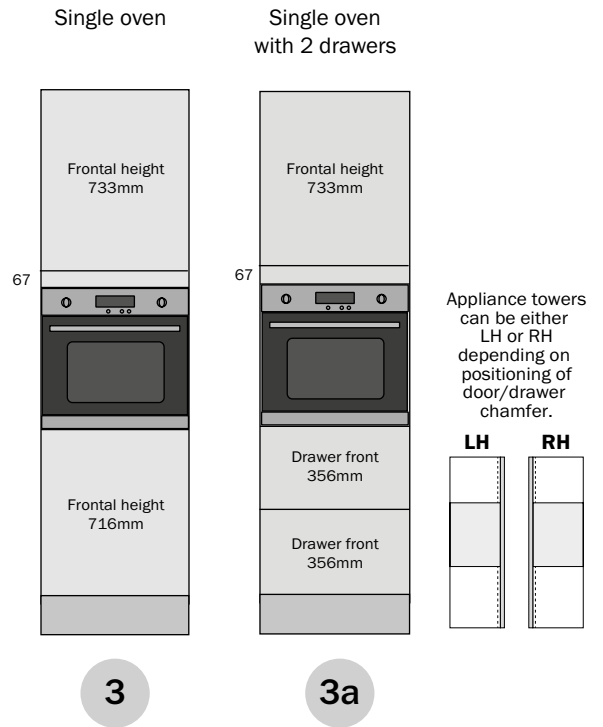
### Standard options

67mm Fascia rails required where indicated



### Extra tall options

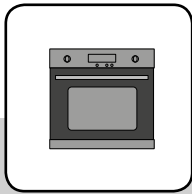
67mm Fascia rails required where indicated



**Fascia rails (frontal):** Fascia rails may require scribing depending on the appliance fitted.

\* Range dependant.

\*\* Only available as a drawer option.



## Section 6 - Appliance tower shelf configurations

Following the information on this page for positioning shelves and back panels.  
**The dimensions for the shelf positions are to the hole centre.**

### Single oven

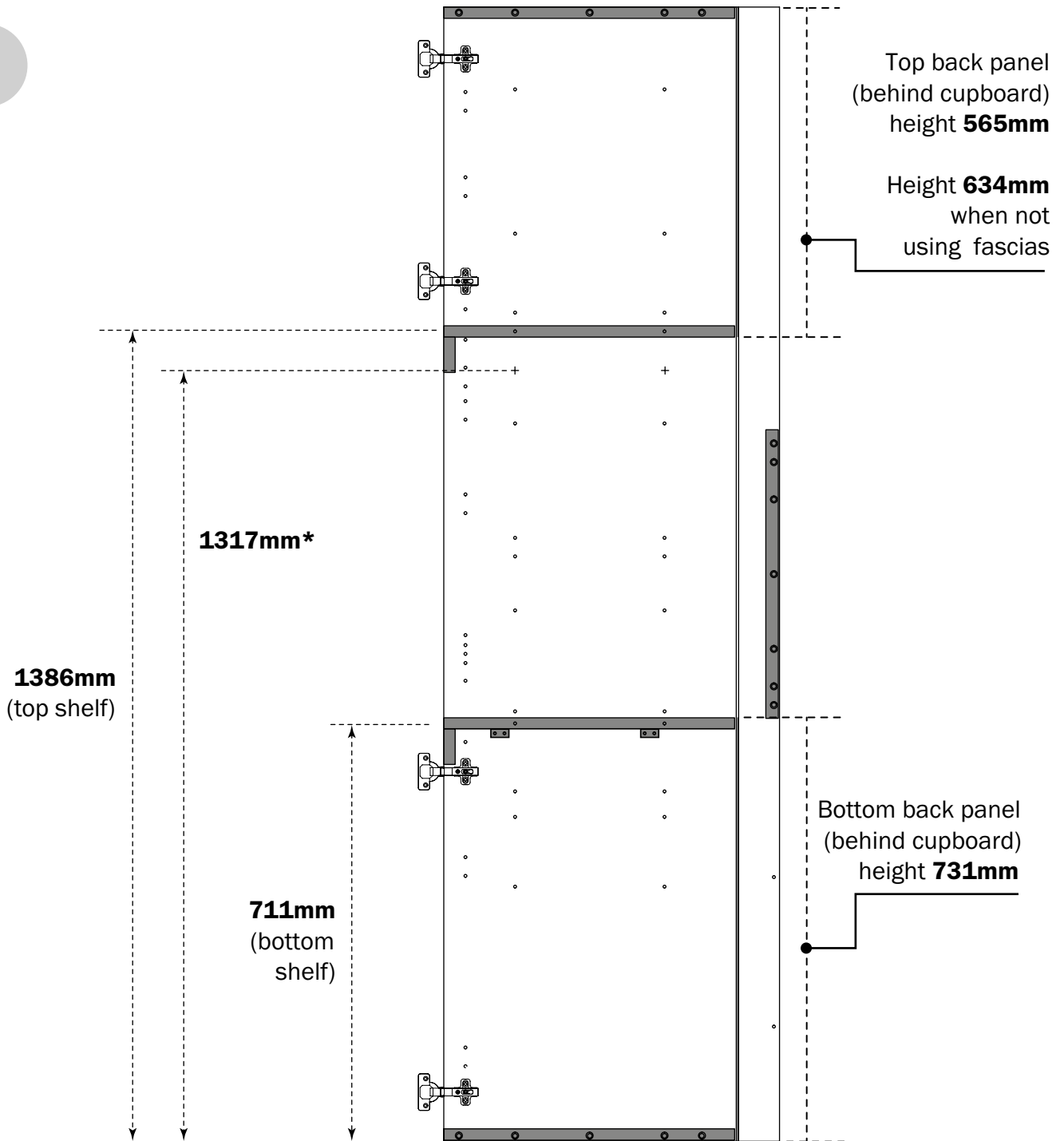
#### NOTES:

Fascia rails may require scribing depending on the appliance fitted.

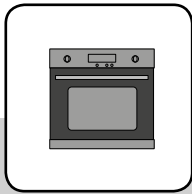
Shelf configurations are identical for standard height and tall options.

For tall options a 180mm box is fitted to the top of the tower (upper door hinge moves into top box for door fixing).

3



**\*NOTE:** Where fascia rails are not been used re-drill side panel for new shelf position to conceal the gap, top of appliance.



## Section 6 - Appliance tower shelf configurations

Following the information on this page for positioning shelves and back panels.  
**The dimensions for the shelf positions are to the hole centre.**

### Single oven (drawer option)

#### NOTES:

Fascia rails may require scribing depending on the appliance fitted.

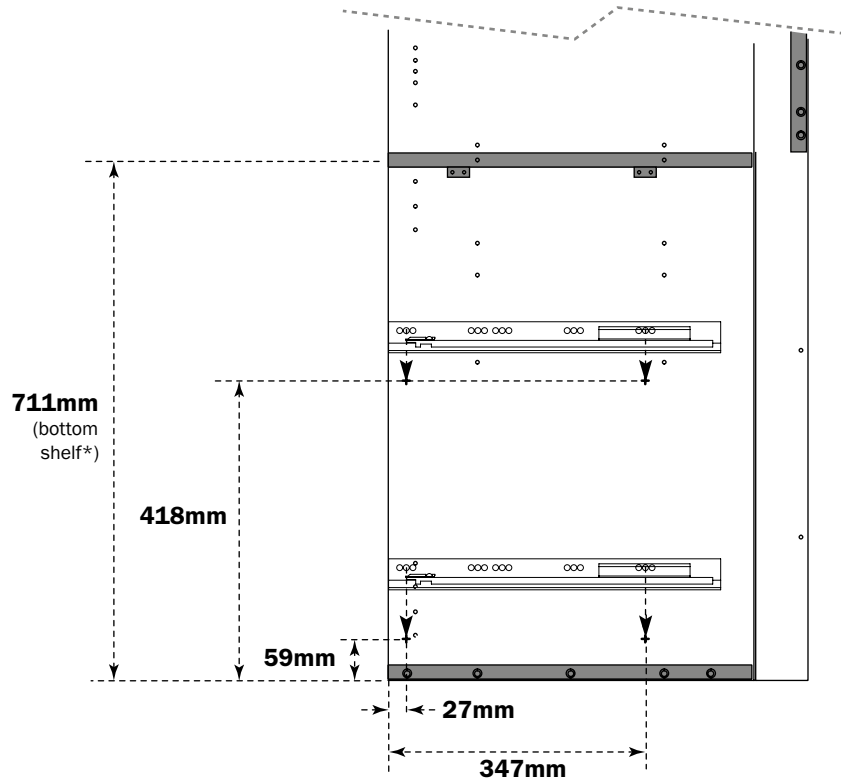
Shelf configurations are identical for standard height and tall options.

For tall options a 180mm box is fitted to the top of the tower (upper door hinge moves into top box for door fixing).

3a

\*Bottom shelf fixing holes for larder application will require drilling at 711mm (KD blocks not required in larder application).

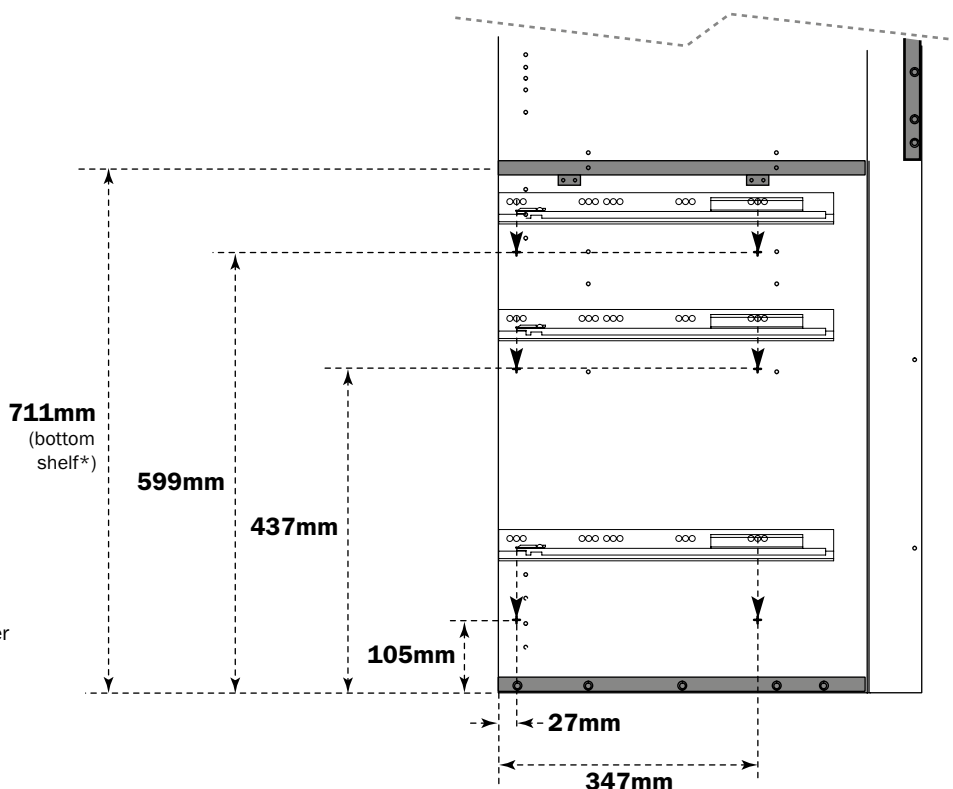
Spike the holes for the runner fixings using the dimensions shown in the diagram.

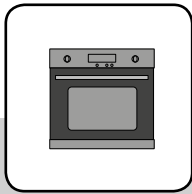


3b

\*Bottom shelf fixing holes for larder application will require drilling at 720mm (KD blocks not required in larder application).

Spike the holes for the runner fixings using the dimensions shown in the diagram.





## Section 6 - Appliance tower shelf configurations

Following the information on this page for positioning shelves and back panels.  
**The dimensions for the shelf positions are to the hole centre.**

### Single oven x 2

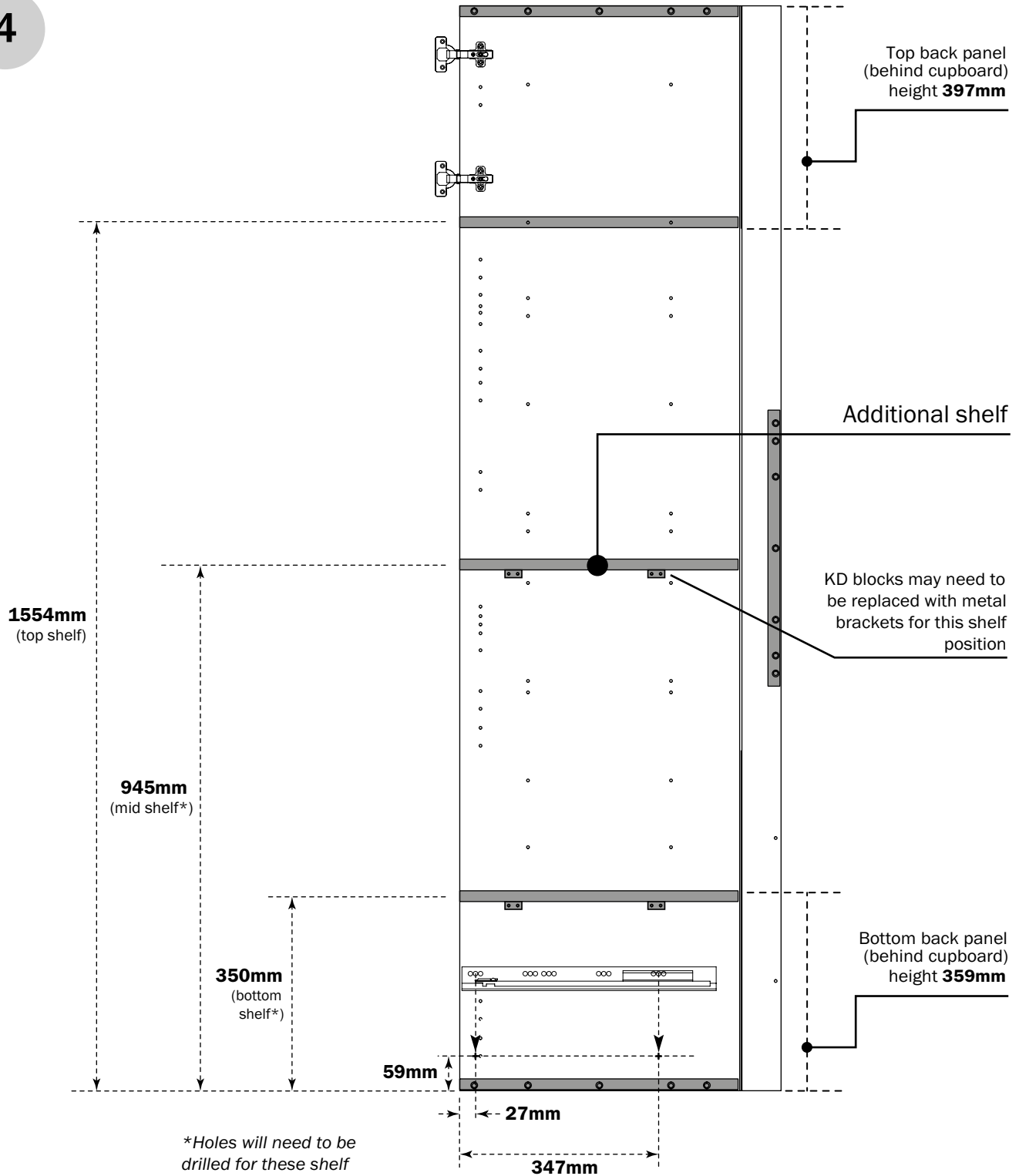
#### NOTES:

Fascia rails may require scribing depending on the appliance fitted.

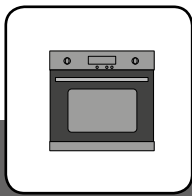
Shelf configurations are identical for standard height and tall options.

For tall options a 180mm box is fitted to the top of the tower (upper door hinge moves into top box for door fixing).

4







## Section 6 - Appliance tower shelf configurations

# Single oven - With additional appliance and drawer

The information below shows the cabinet configurations that can be achieved when installing a single oven. Each overview page is followed by the shelf configurations applicable to the appliance shown.

### Standard options

45mm Fascia rails required where indicated

Single oven with microwave



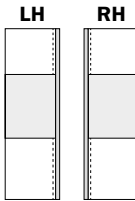
5

Single oven with microwave (with no fascia rails)\*



5

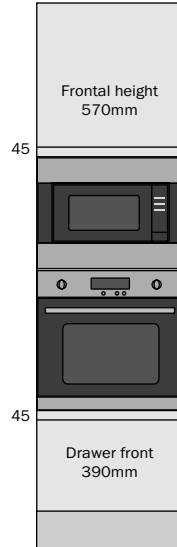
Appliance towers can be either LH or RH depending on positioning of door/drawer chamfer.



### Extra tall options

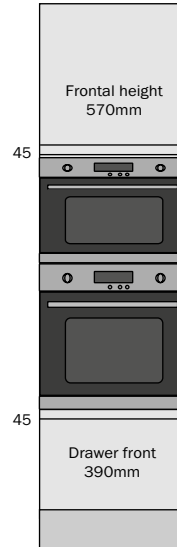
45mm Fascia rails required where indicated

Single oven with microwave



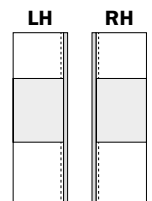
5

Single oven with compact oven

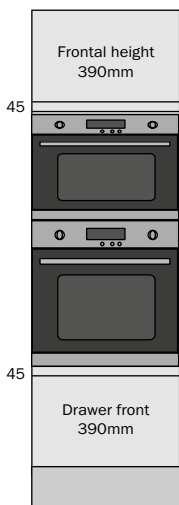


5

Appliance towers can be either LH or RH depending on positioning of door/drawer chamfer.

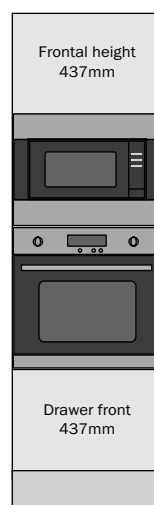


Single oven with compact oven



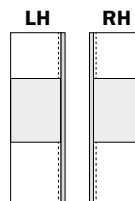
5

Single oven with compact oven (with no fascia rails)\*



5

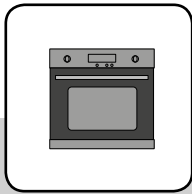
Appliance towers can be either LH or RH depending on positioning of door/drawer chamfer.



**NOTE:** This configuration also applies to steam ovens and coffee makers (non Howdens appliances).

**Fascia rails (frontal):** Fascia rails may require scribing depending on the appliance fitted.

\* Range dependant.



## Section 6 - Appliance tower shelf configurations

Following the information on this page for positioning shelves and back panels.  
**The dimensions for the shelf positions are to the hole centre.**

### Single oven with additional appliances and drawer

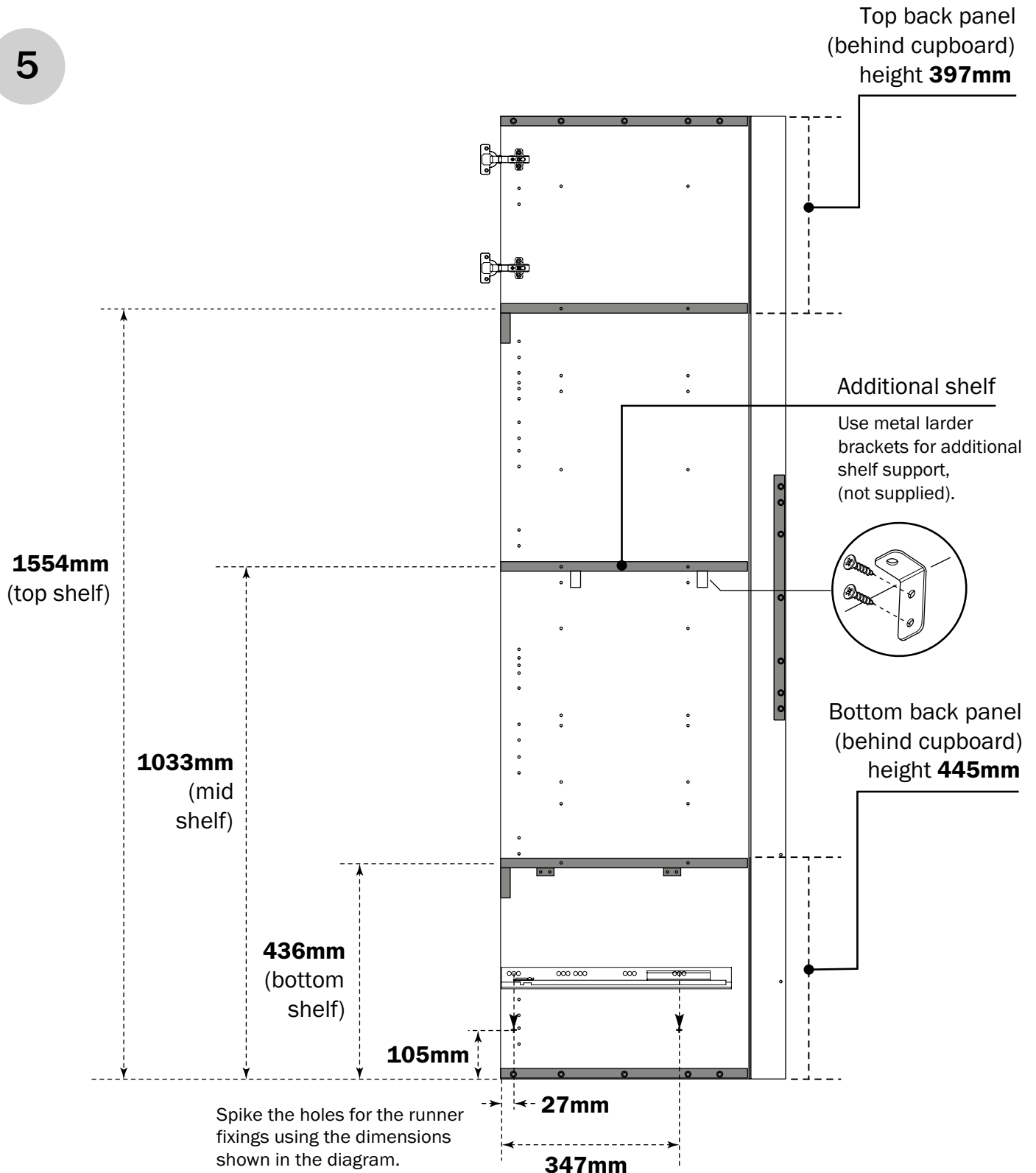
#### NOTES:

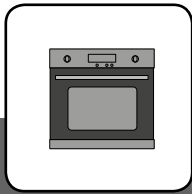
Fascia rails may require scribing depending on the appliance fitted.

Shelf configurations are identical for standard height and tall options.

For tall options a 180mm box is fitted to the top of the tower (upper door hinge moves into top box for door fixing).

5





## Section 6 - Appliance tower shelf configurations

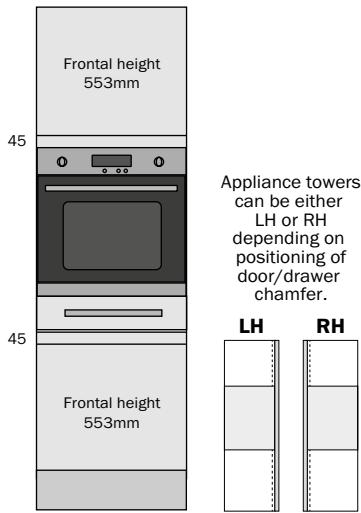
# Single oven - With warming drawer and additional microwave

The information below shows the cabinet configurations that can be achieved when installing a single oven. Each overview page is followed by the shelf configurations applicable to the appliance shown.

### Standard options

45mm Fascia rails required where indicated

Single oven with warming drawer

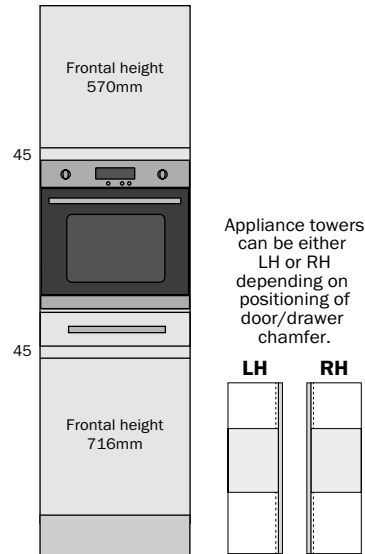


6

### Extra tall options

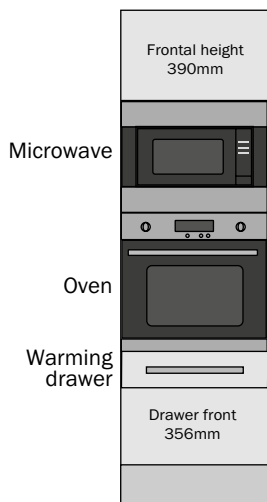
45mm Fascia rails required where indicated

Single oven with warming drawer



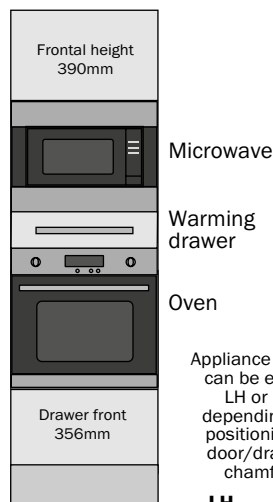
7

Single oven with warming drawer and microwave (layout 1)

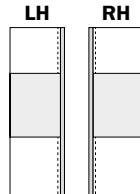


7a

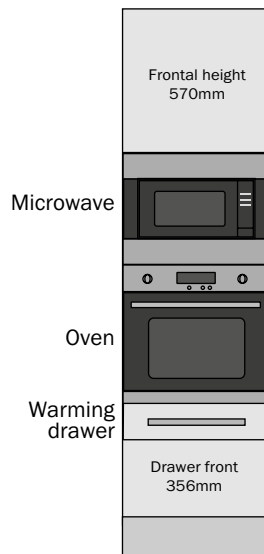
Single oven with warming drawer and microwave (layout 2)



7a

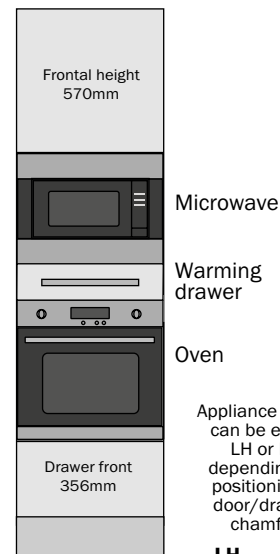


Single oven with warming drawer and microwave (layout 1)

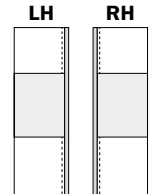


7a

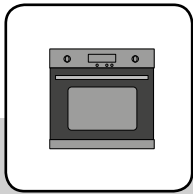
Single oven with warming drawer and microwave (layout 2)



7a



**Fascia rails (frontal):** Fascia rails may require scribing depending on the appliance fitted.



## Section 6 - Appliance tower shelf configurations

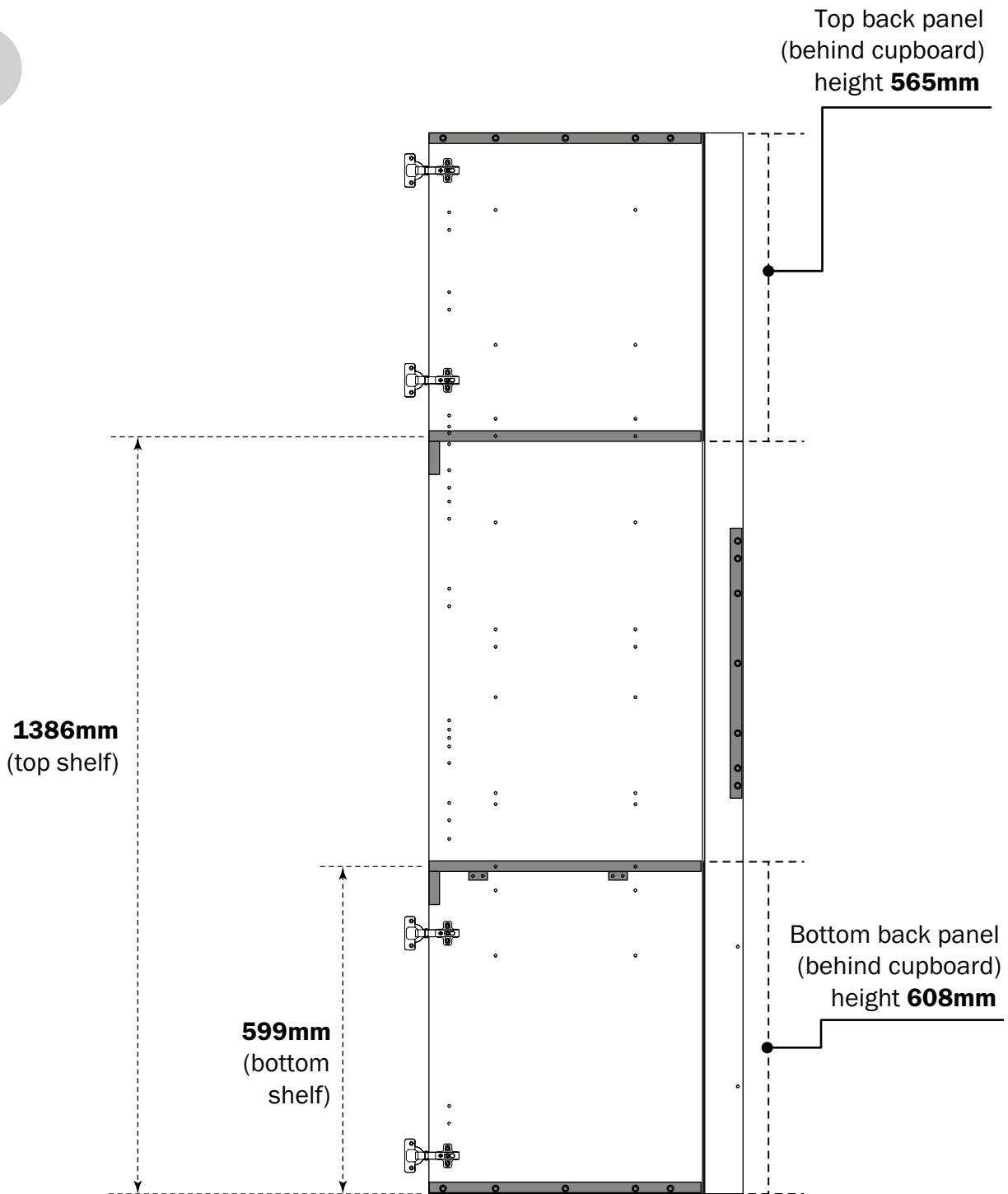
Following the information on this page for positioning shelves and back panels.  
**The dimensions for the shelf positions are to the hole centre.**

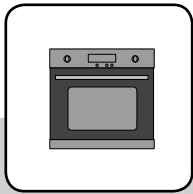
### Single oven with warming drawer

#### NOTES:

Fascia rails may require scribing depending on the appliance fitted.

6





## Section 6 - Appliance tower shelf configurations

Following the information on this page for positioning shelves and back panels.  
**The dimensions for the shelf positions are to the hole centre.**

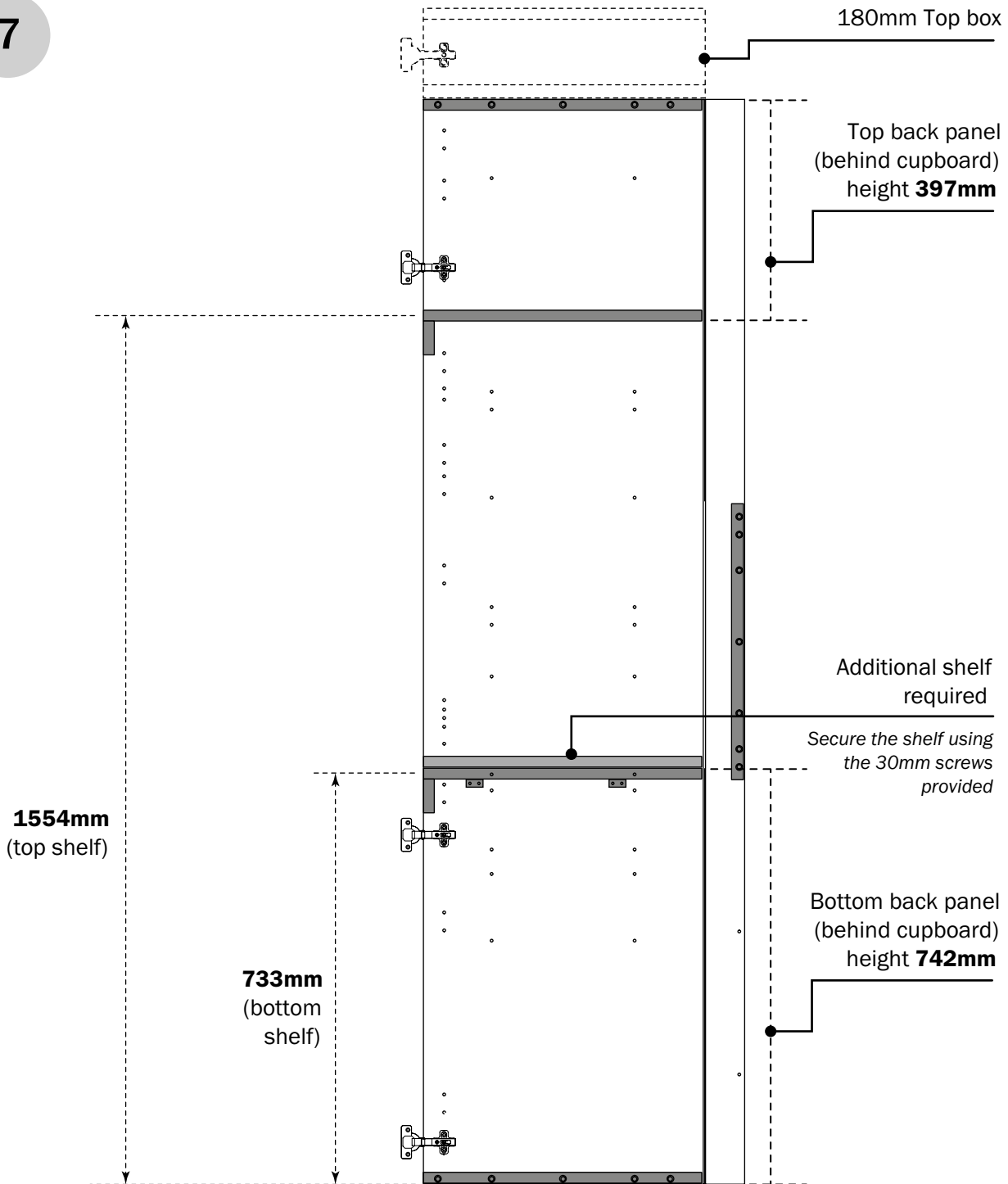
### Single oven with warming drawer (extra tall)

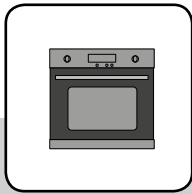
#### NOTES:

Fascia rails may require scribing depending on the appliance fitted.

For tall options a 180mm box is fitted to the top of the tower (upper door hinge moves into top box for door fixing).

7





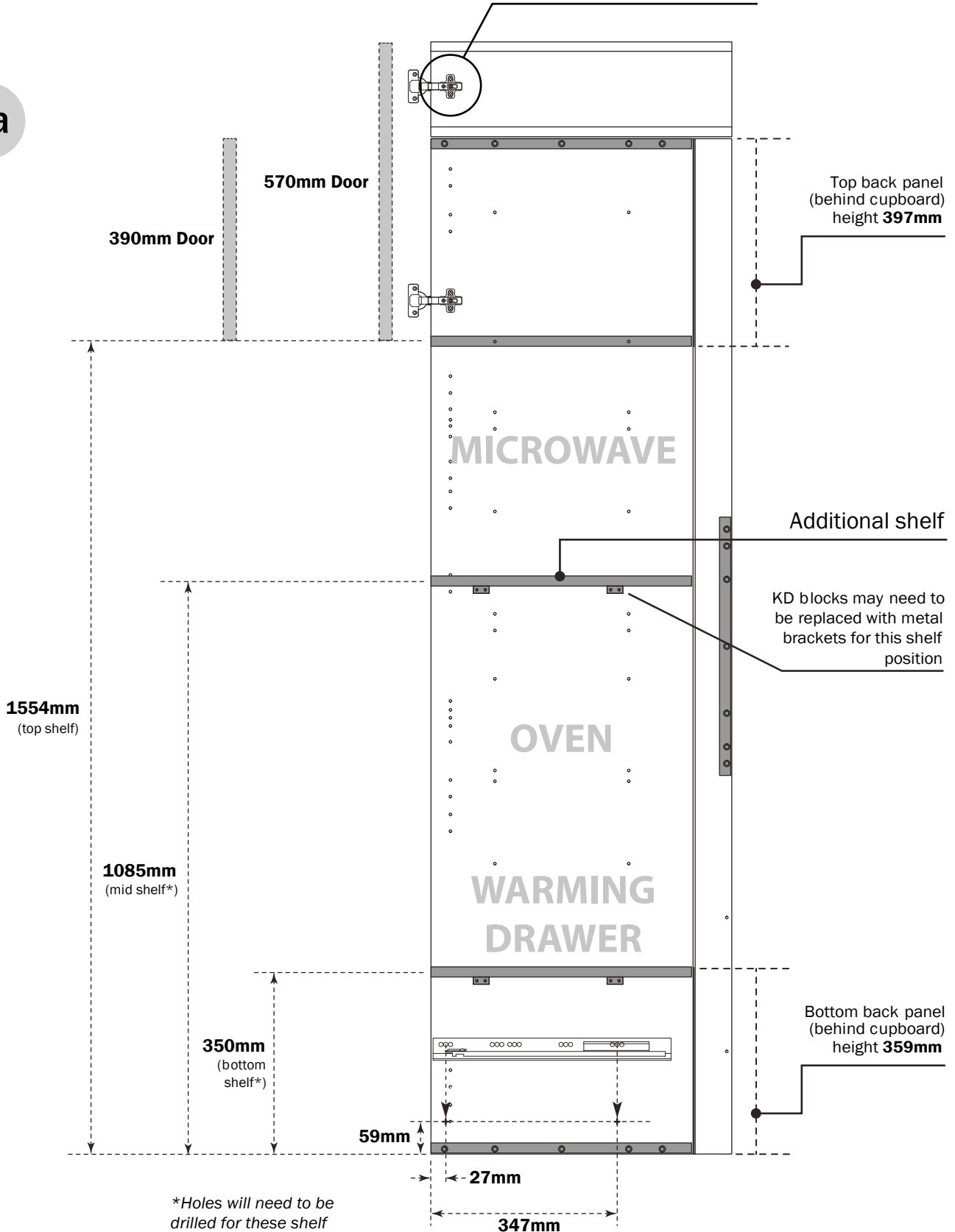
# Section 6 - Appliance tower shelf configurations

Following the information on this page for positioning shelves and back panels.  
**The dimensions for the shelf positions are to the hole centre.**

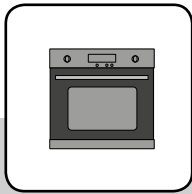
## Single oven with warming drawer and microwave (layout 1)

7a

**NOTE: Additional cabinet hinge plate holes required to align with door drilling**



*\*Holes will need to be drilled for these shelf positions.*



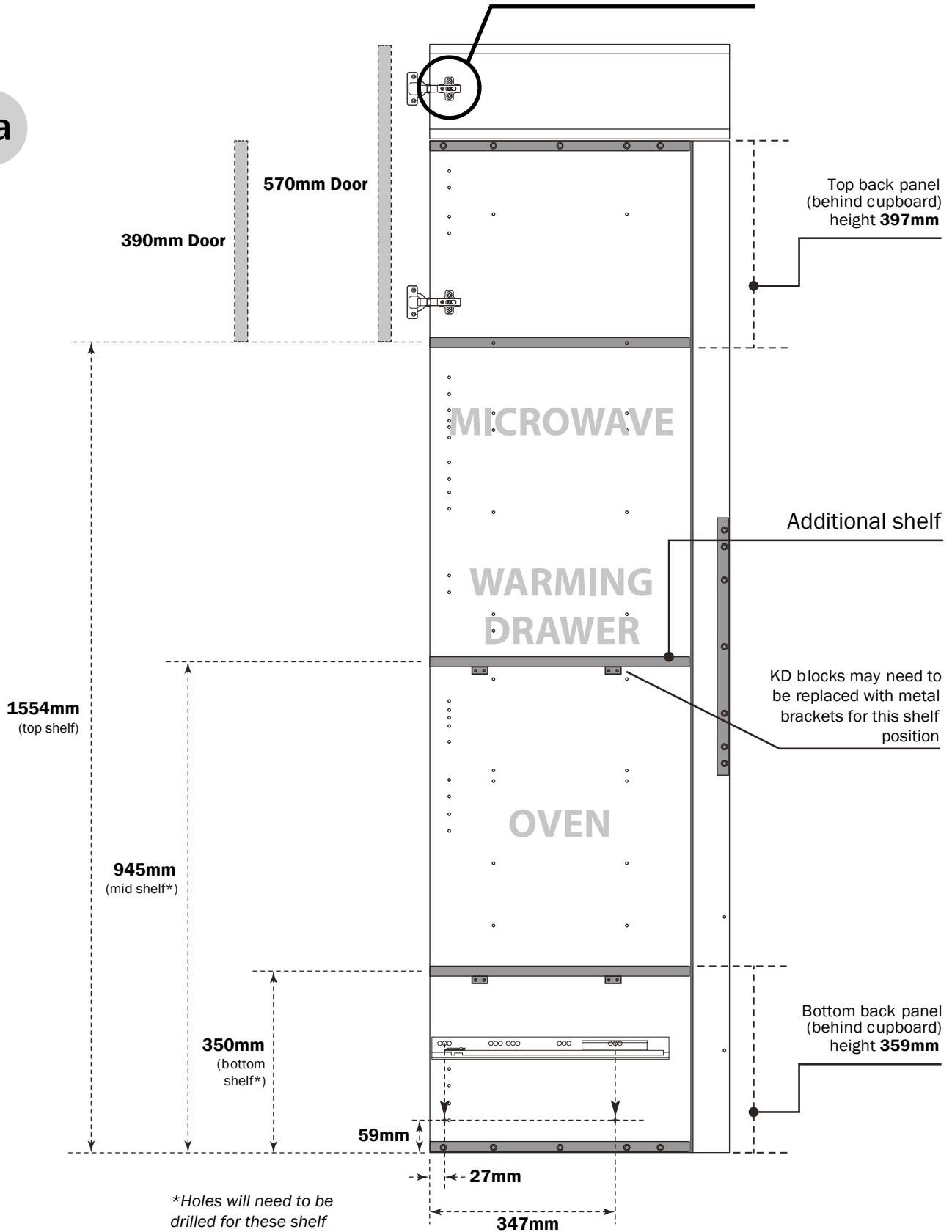
# Section 6 - Appliance tower shelf configurations

Following the information on this page for positioning the shelves and runners.  
**The dimensions for the shelf positions are to the hole centre.**

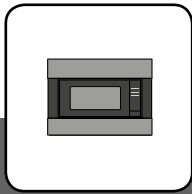
## Single oven with warming drawer and microwave (layout 2)

7a

**NOTE: Additional cabinet hinge plate holes required to align with door drilling**



\*Holes will need to be drilled for these shelf positions.



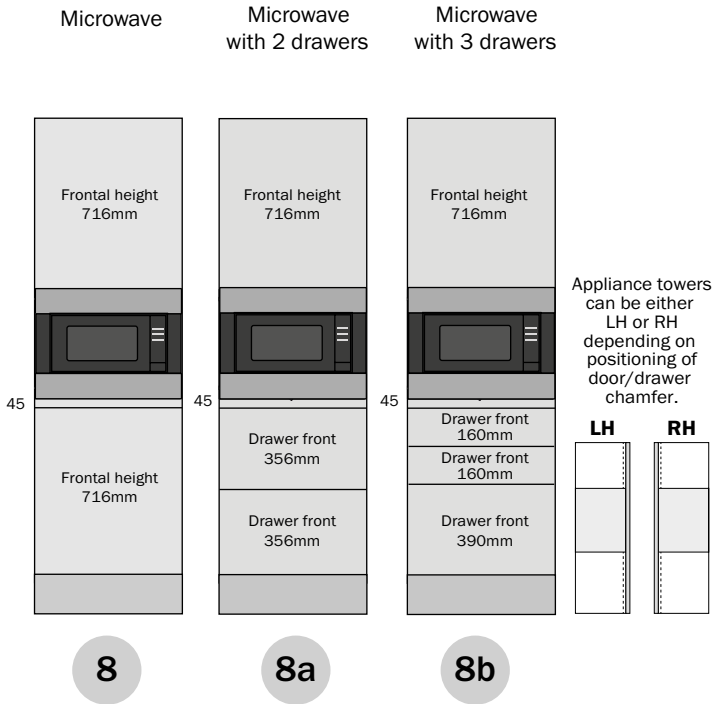
## Section 6 - Appliance tower shelf configurations

# Microwave/Compact oven

The information below shows the cabinet configurations that can be achieved when installing a microwave/compact oven. Each overview page is followed by the shelf configurations applicable to the appliance shown.

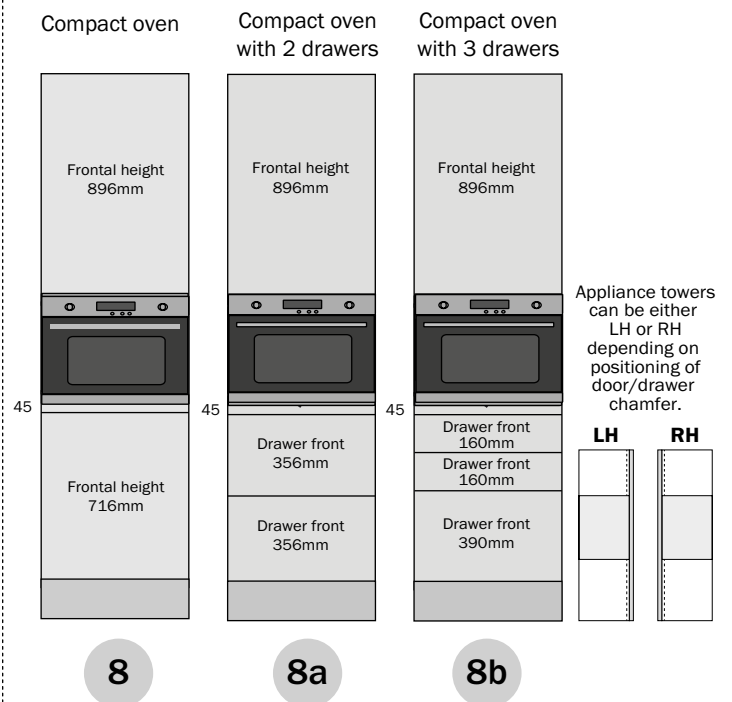
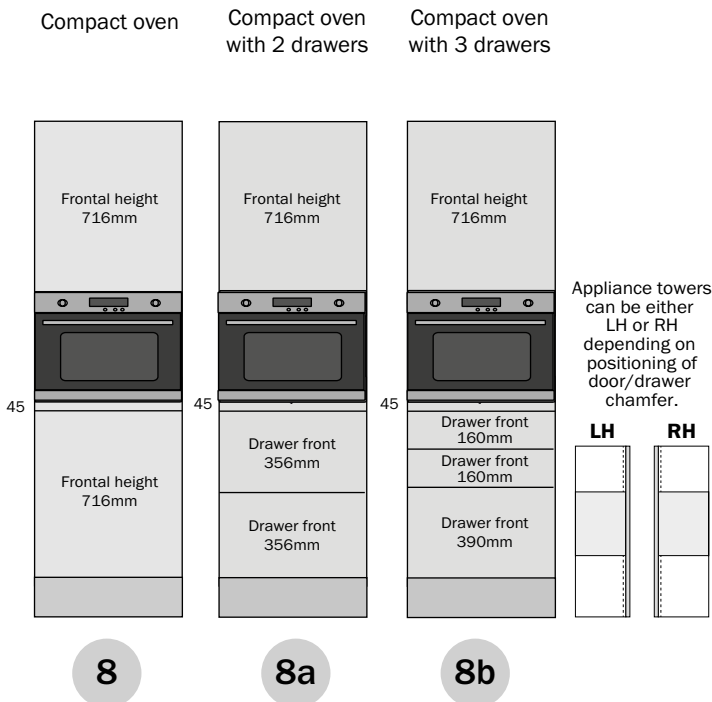
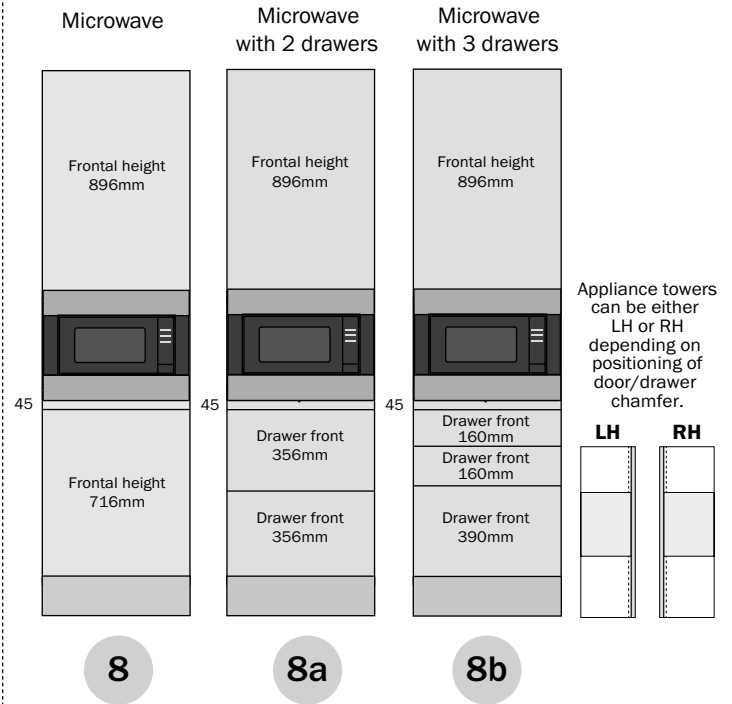
### Standard options

45mm Fascia rails required where indicated



### Extra tall options

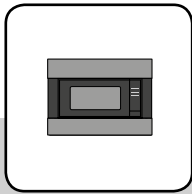
45mm Fascia rails required where indicated



**NOTE:** This configuration also applies to steam ovens and coffee makers (non Howdens appliances).

**Fascia rails (frontal):** Fascia rails may require scribing depending on the appliance fitted.





## Section 6 - Appliance tower shelf configurations

Following the information on this page for positioning shelves and back panels.  
**The dimensions for the shelf positions are to the hole centre.**

### Microwave/Compact oven

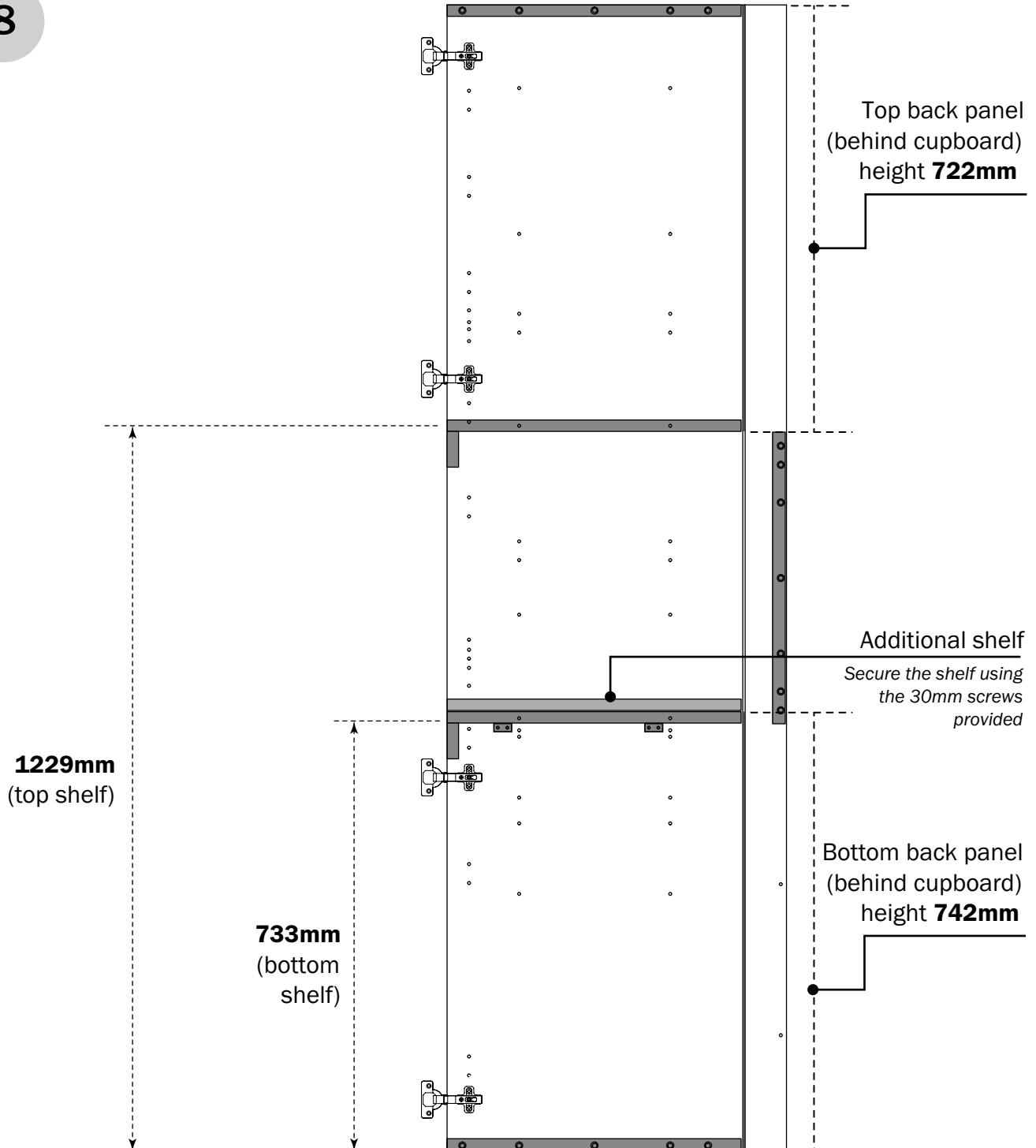
#### NOTES:

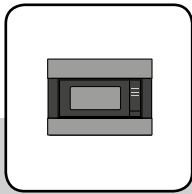
Fascia rails may require scribing depending on the appliance fitted.

Shelf configurations are identical for standard height and tall options.

For tall options a 180mm box is fitted to the top of the tower (upper door hinge moves into top box for door fixing).

8





## Section 6 - Appliance tower shelf configurations

Following the information on this page for positioning shelves and runners  
**The dimensions for the shelf positions are to the hole centre.**

### Microwave/Compact oven (drawer options)

#### NOTES:

Fascia rails may require scribing depending on the appliance fitted.

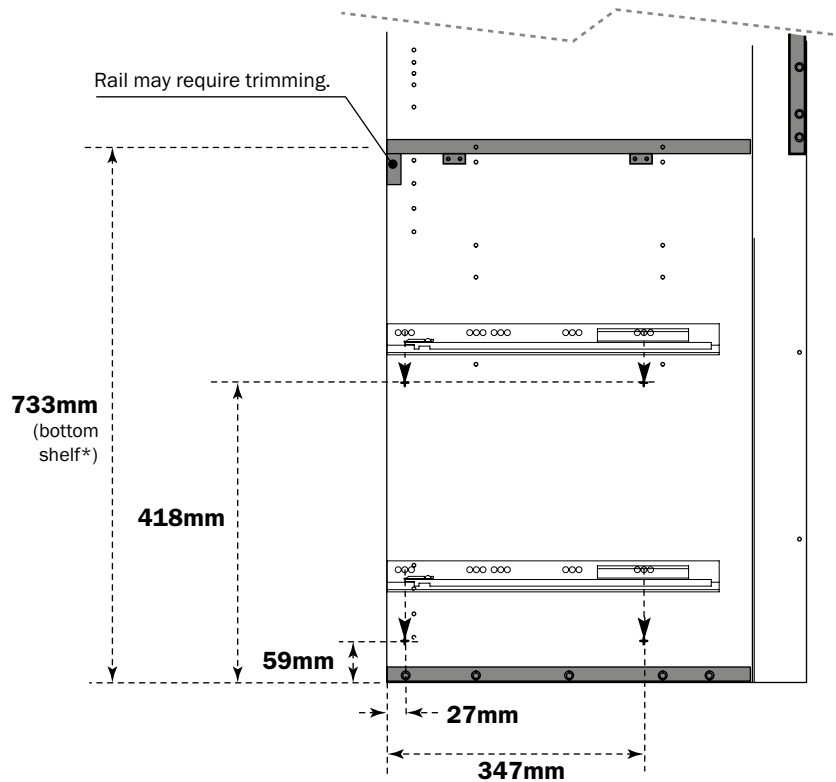
Shelf configurations are identical for standard height and tall options.

For tall options a 180mm box is fitted to the top of the tower (upper door hinge moves into top box for door fixing).

8a

\*Bottom shelf fixing holes for larder application will require drilling at 720mm (KD blocks not required in larder application).

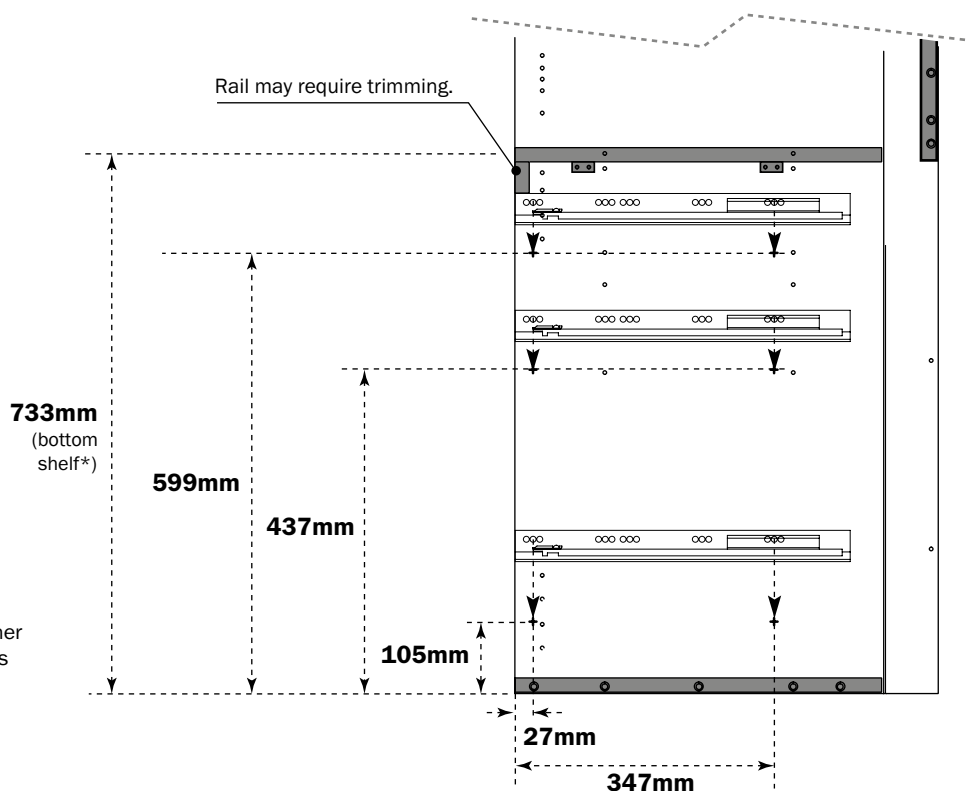
Spike the holes for the runner fixings using the dimensions shown in the diagram.

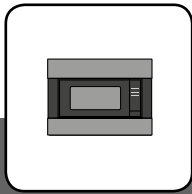


8b

\*Bottom shelf fixing holes for larder application will require drilling at 720mm (KD blocks not required in larder application).

Spike the holes for the runner fixings using the dimensions shown in the diagram.





## Section 6 - Appliance tower shelf configurations

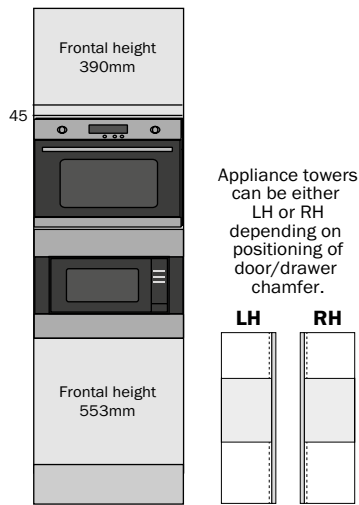
# Microwave/Compact oven - With additional appliances

The information below shows the cabinet configurations that can be achieved when installing a microwave/compact oven. Each overview page is followed by the shelf configurations applicable to the appliance shown.

### Standard options

45mm Fascia rails required where indicated

Microwave with compact oven

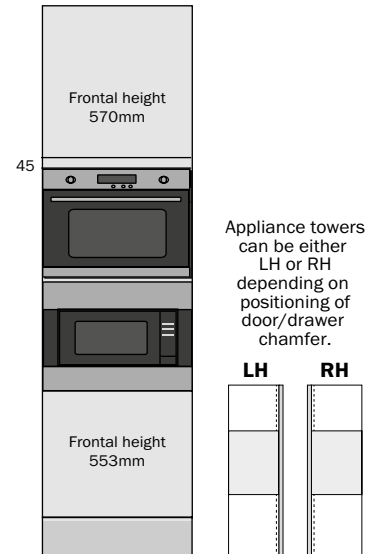


9

### Extra tall options

45mm Fascia rails required where indicated

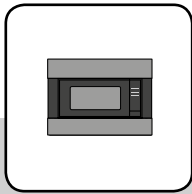
Microwave with compact oven



9

**NOTE:** This configuration also applies to steam ovens and coffee makers (non Howdens appliances).

**Fascia rails (frontal):** Fascia rails may require scribing depending on the appliance fitted.



## Section 6 - Appliance tower shelf configurations

Following the information on this page for positioning shelves and back panels.  
**The dimensions for the shelf positions are to the hole centre.**

### Microwave/Compact oven with additional appliances

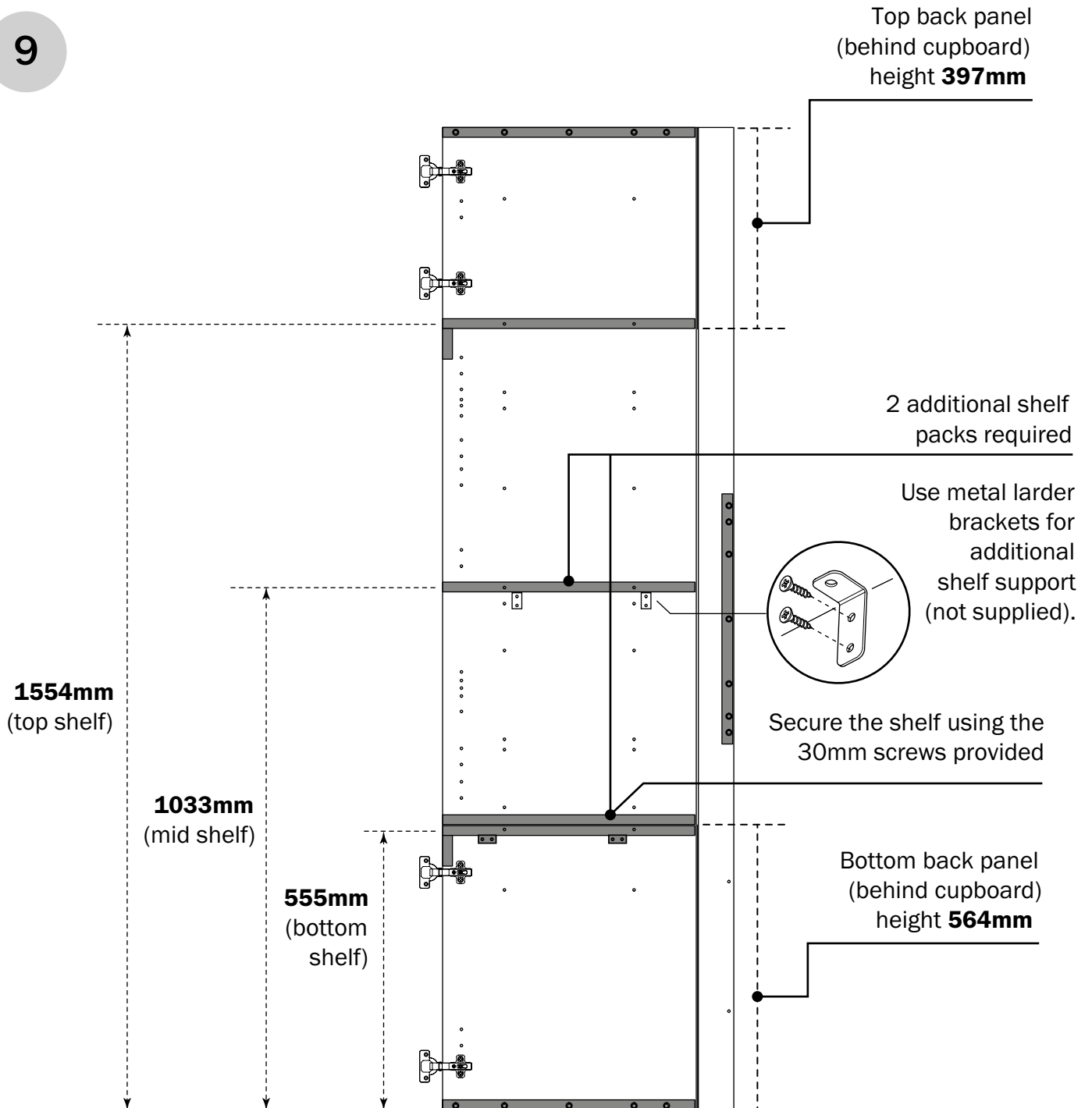
#### NOTES:

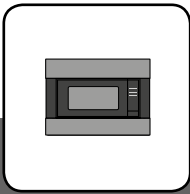
Fascia rails may require scribing depending on the appliance fitted.

Shelf configurations are identical for standard height and tall options.

For tall options a 180mm box is fitted to the top of the tower (upper door hinge moves into top box for door fixing).

9





## Section 6 - Appliance tower shelf configurations

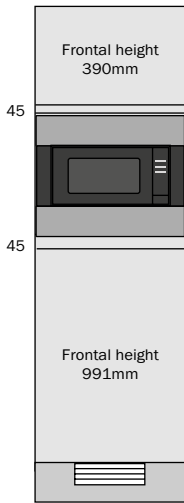
# Microwave/Compact oven - With fridge/freezer

The information below shows the cabinet configurations that can be achieved when installing a microwave/compact oven. Each overview page is followed by the shelf configurations applicable to the appliance shown.

### Standard options

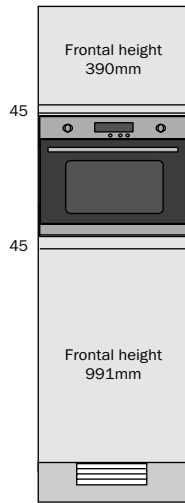
45mm Fascia rails required where indicated

Microwave with fridge/freezer



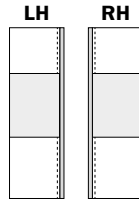
10

Compact oven with fridge/freezer



10

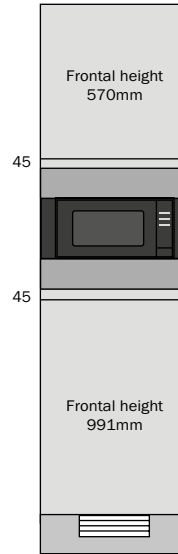
Appliance towers can be either LH or RH depending on positioning of door/drawer chamfer.



### Extra tall options

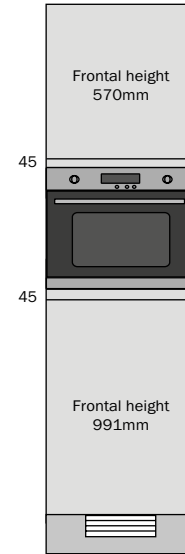
45mm Fascia rails required where indicated

Microwave with fridge/freezer



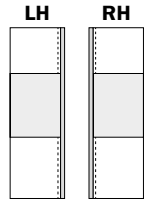
10

Compact oven with fridge/freezer



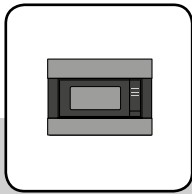
10

Appliance towers can be either LH or RH depending on positioning of door/drawer chamfer.



**NOTE:** This configuration also applies to steam ovens and coffee makers (non Howdens appliances).

**Fascia rails (frontal):** Fascia rails may require scribing depending on the appliance fitted.



## Section 6 - Appliance tower shelf configurations

Following the information on this page for positioning shelves and back panels.  
**The dimensions for the shelf positions are to the hole centre.**

### Microwave/Compact oven with fridge/freezer

#### NOTES:

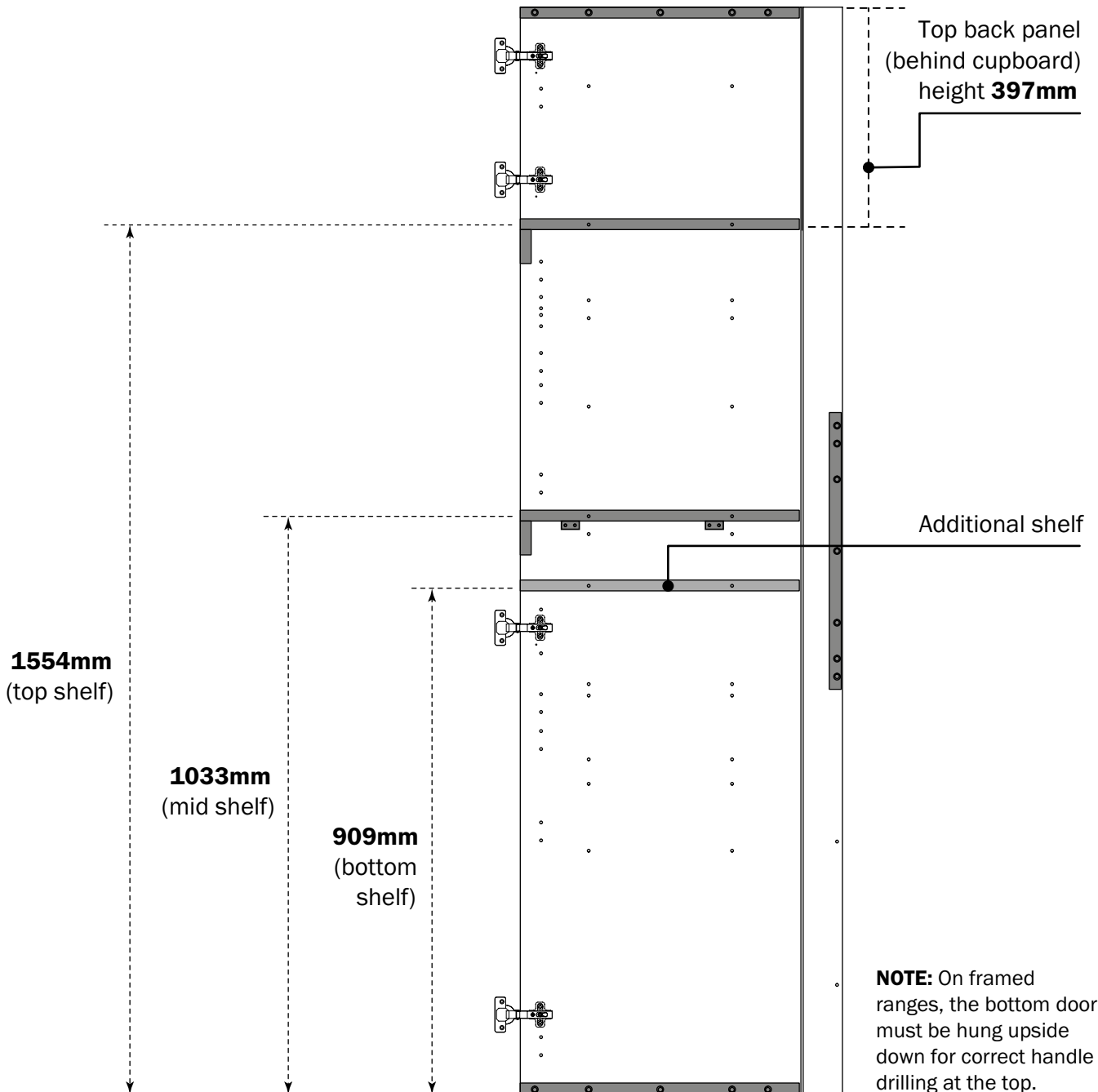
Fascia rails may require scribing depending on the appliance fitted.

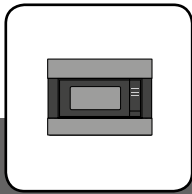
Shelf configurations are identical for standard height and tall options.

For tall options a 180mm box is fitted to the top of the tower (upper door hinge moves into top box for door fixing).

10

**IMPORTANT: For this configuration, the base panel will need to be cut at the back to allow for ventilation.**





## Section 6 - Appliance tower shelf configurations

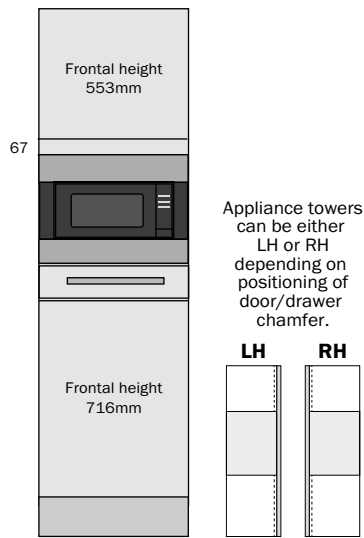
# Microwave/Compact oven - With warming drawer

The information below shows the cabinet configurations that can be achieved when installing a microwave/compact oven. Each overview page is followed by the shelf configurations applicable to the appliance shown.

### Standard options

67mm Fascia rails required where indicated

#### Microwave with warming drawer

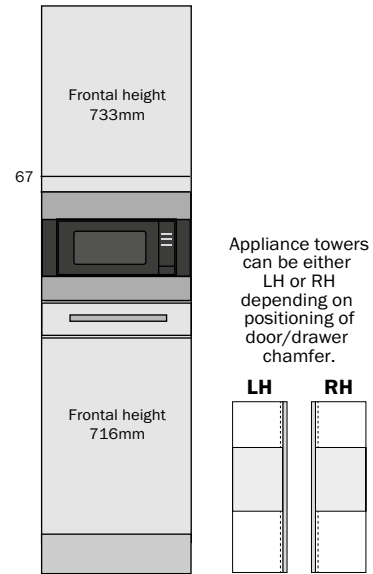


11

### Extra tall options

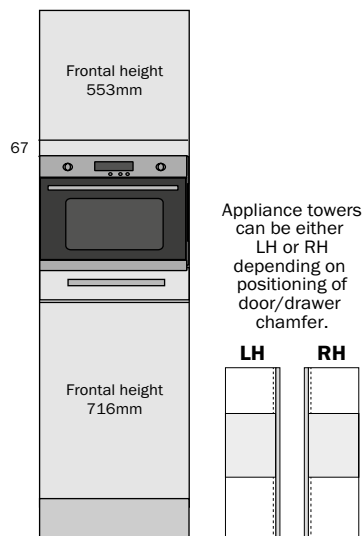
67mm Fascia rails required where indicated

#### Microwave with warming drawer



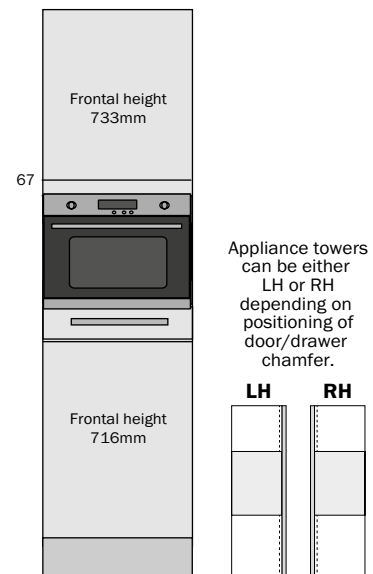
11

#### Compact oven with warming drawer



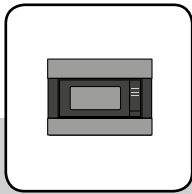
11

#### Compact oven with warming drawer



11

**Fascia rails (frontal):** Fascia rails may require scribing depending on the appliance fitted.



## Section 6 - Appliance tower shelf configurations

Following the information on this page for positioning shelves and back panels.  
**The dimensions for the shelf positions are to the hole centre.**

### Microwave/Compact oven with warming drawer

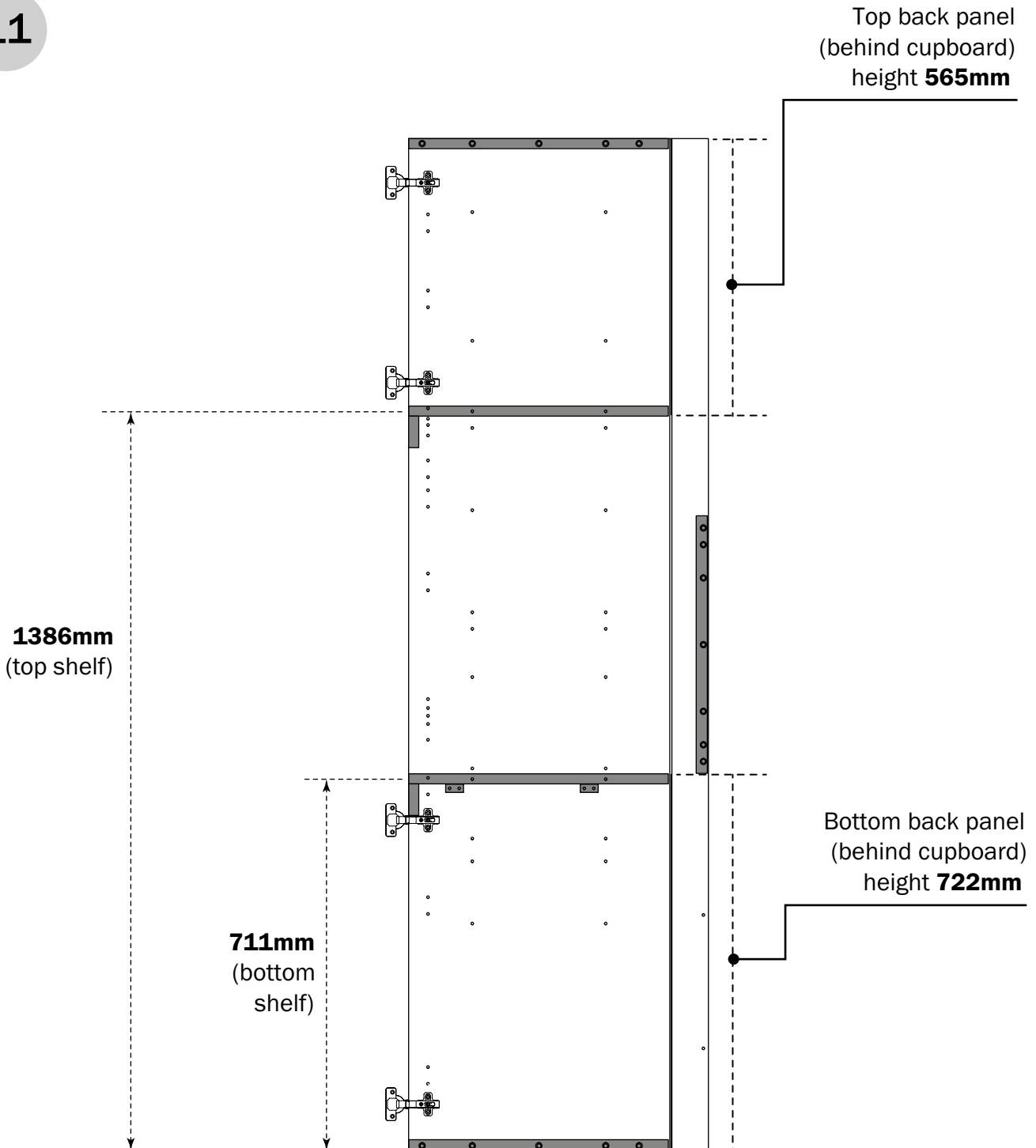
#### NOTES:

Fascia rails may require scribing depending on the appliance fitted.

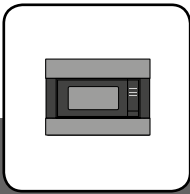
Shelf configurations are identical for standard height and tall options.

For tall options a 180mm box is fitted to the top of the tower (upper door hinge moves into top box for door fixing).

11







## Section 6 - Appliance tower shelf configurations

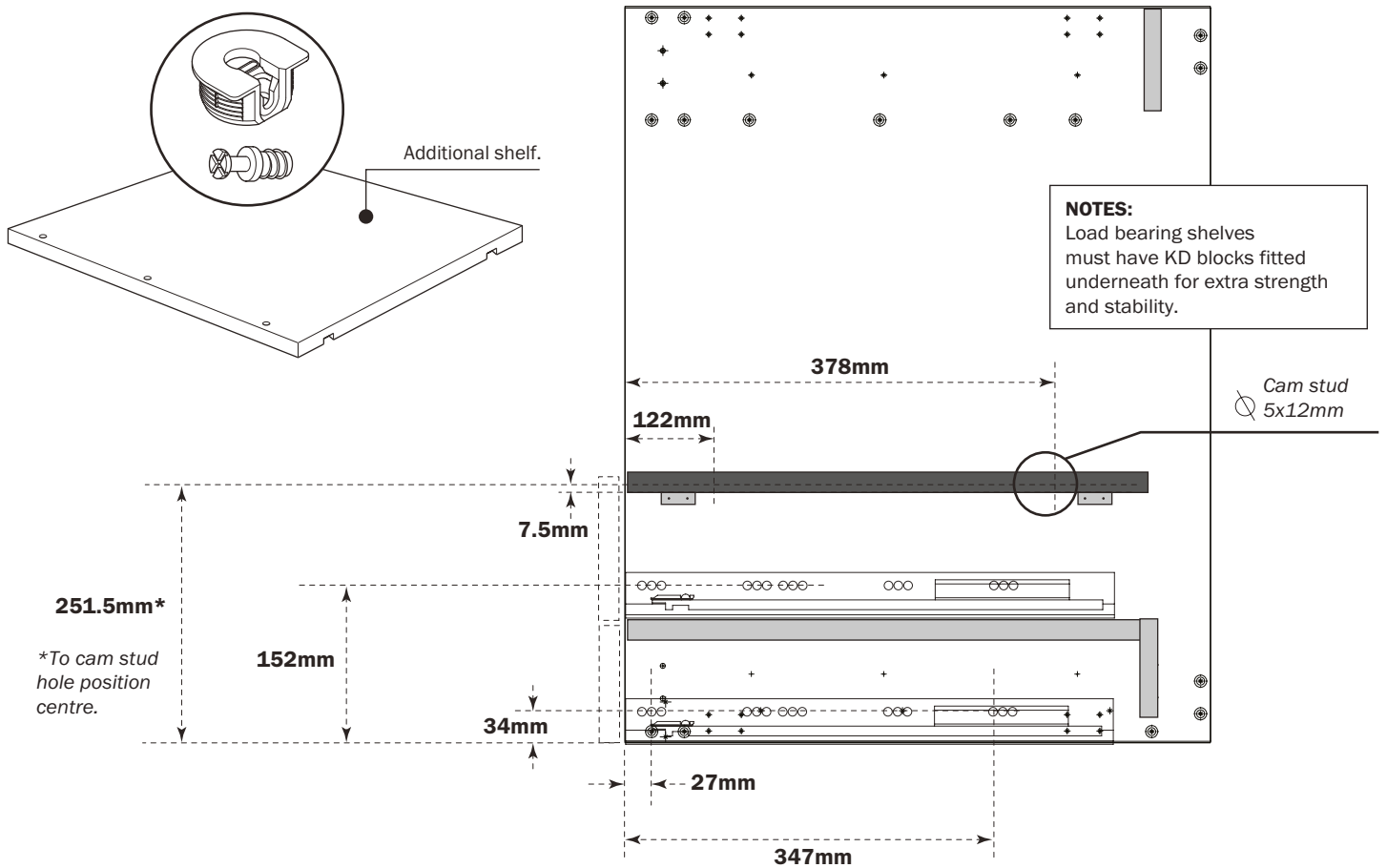
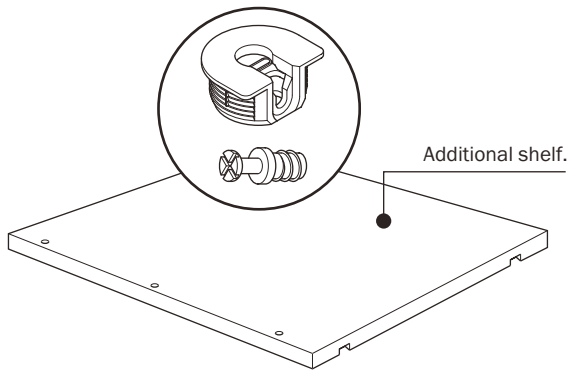
# Compact oven and two drawer application



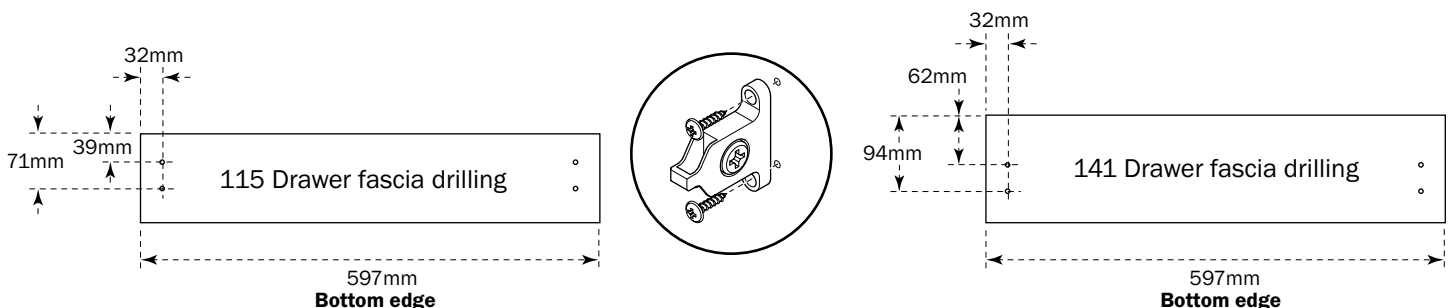
**Components required:**  
 RKC8/1705 - BUOH cabinet  
 HYH2960 - 600 Drawer box x2  
 600 BUOH fascia x1 (115mm) - Range specific  
 Appliance tower fascia x1 (141mm) - Range specific  
 RKC8/1820 - Appliance tower mid shelf pack x1  
 KD Fixing blocks and screws x4  
 RKM1820 - BUOH foot pack (must be used for this configuration)

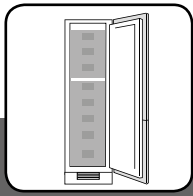
### Assembly

**1** The dimensions for the shelf position are to the holes for the cam stud.



**2**





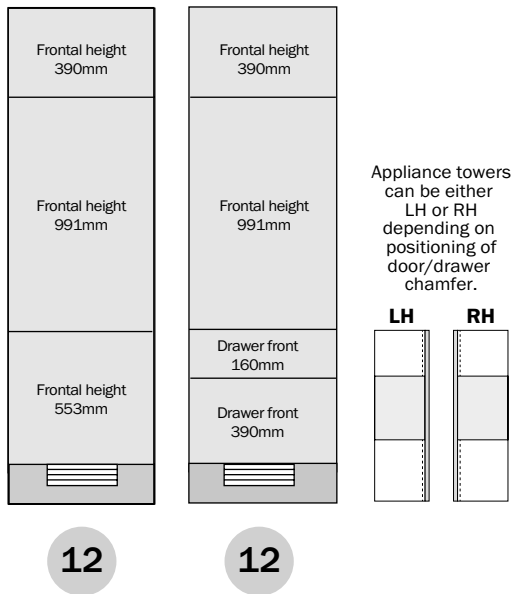
## Section 6 - Appliance tower shelf configurations

# Tower fridge or freezer options

The information below shows the cabinet configurations that can be achieved when installing a tower fridge or freezer. Each overview page is followed by the shelf configurations applicable to the appliance shown.

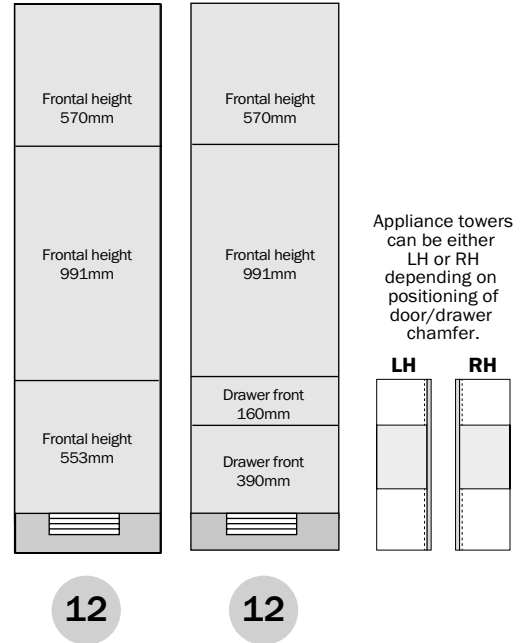
### Standard options

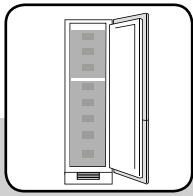
Fridge or freezer      Fridge or freezer with 2 drawers



### Extra tall options

Fridge or freezer      Fridge or freezer with 2 drawers





## Section 6 - Appliance tower shelf configurations

Following the information on this page for positioning shelves and back panels.  
**The dimensions for the shelf positions are to the hole centre.**

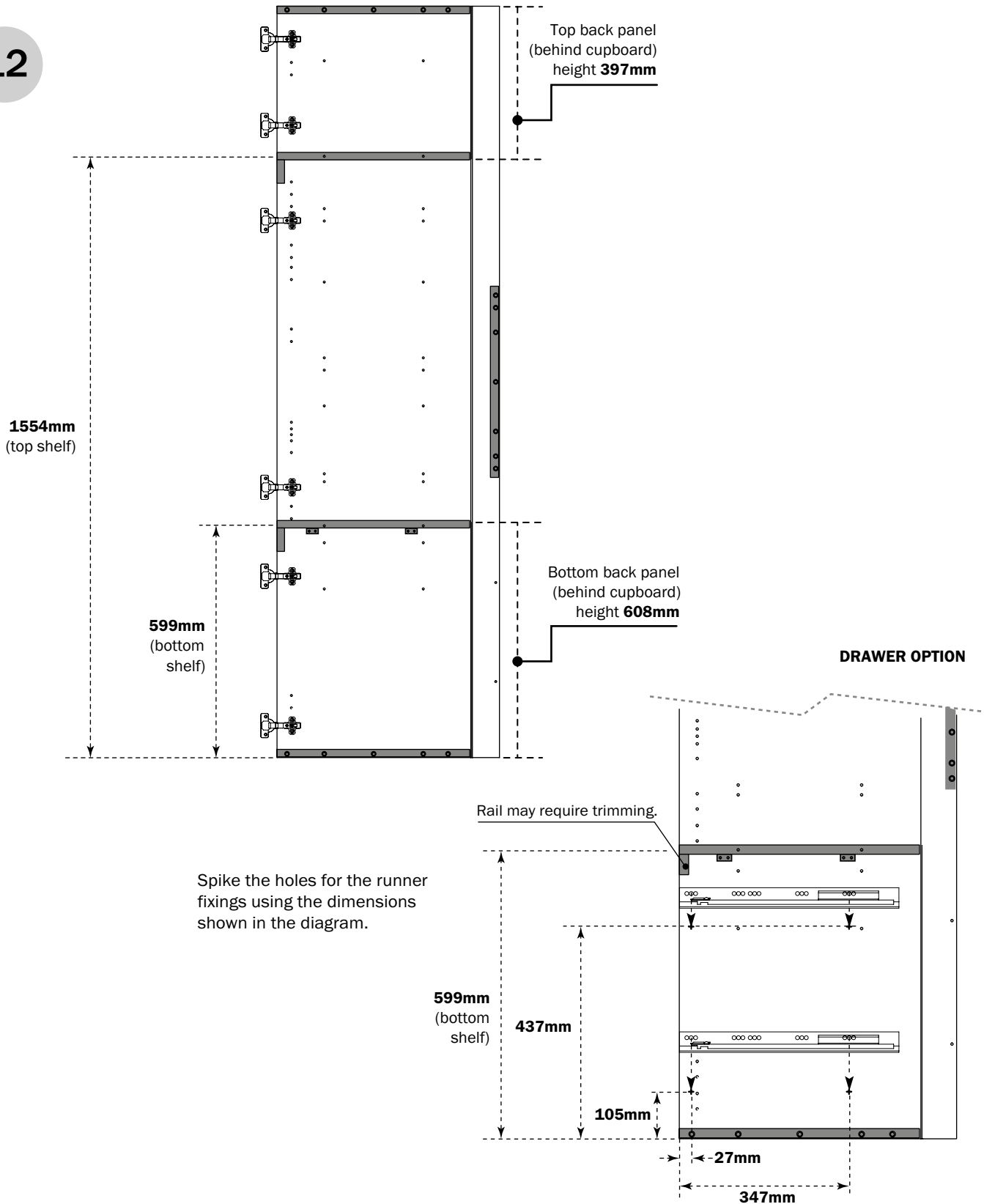
### Tower fridge or freezer options

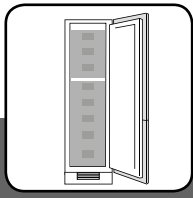
#### NOTES:

Shelf configurations are identical for standard height and tall options.

For tall options a 180mm box is fitted to the top of the tower (upper door hinge moves into top box for door fixing).

12





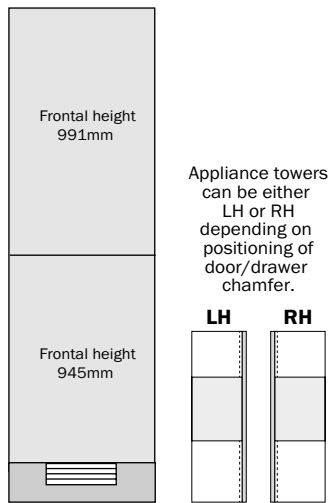
## Section 6 - Appliance tower shelf configurations

# 50/50 Tower fridge and freezer (two appliance) options

The information below shows the cabinet configurations that can be achieved when installing a 50/50 tower fridge and freezer. Each overview page is followed by the shelf configurations applicable to the appliance shown.

### Standard options

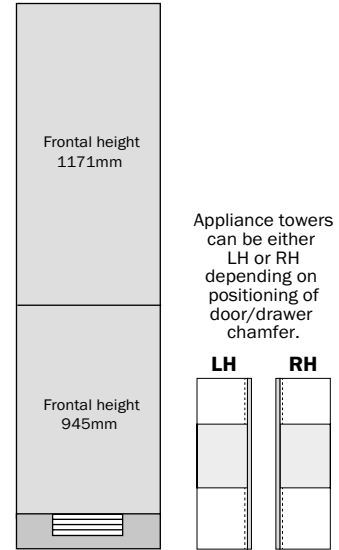
50/50 Fridge and freezer  
(two appliances)



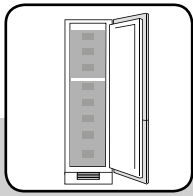
13

### Extra tall options

50/50 Fridge and freezer  
(two appliances)



13



## Section 6 - Appliance tower shelf configurations

Following the information on this page for positioning shelves and back panels.  
**The dimensions for the shelf positions are to the hole centre.**

### 50/50 Tower fridge and freezer (two appliance) options

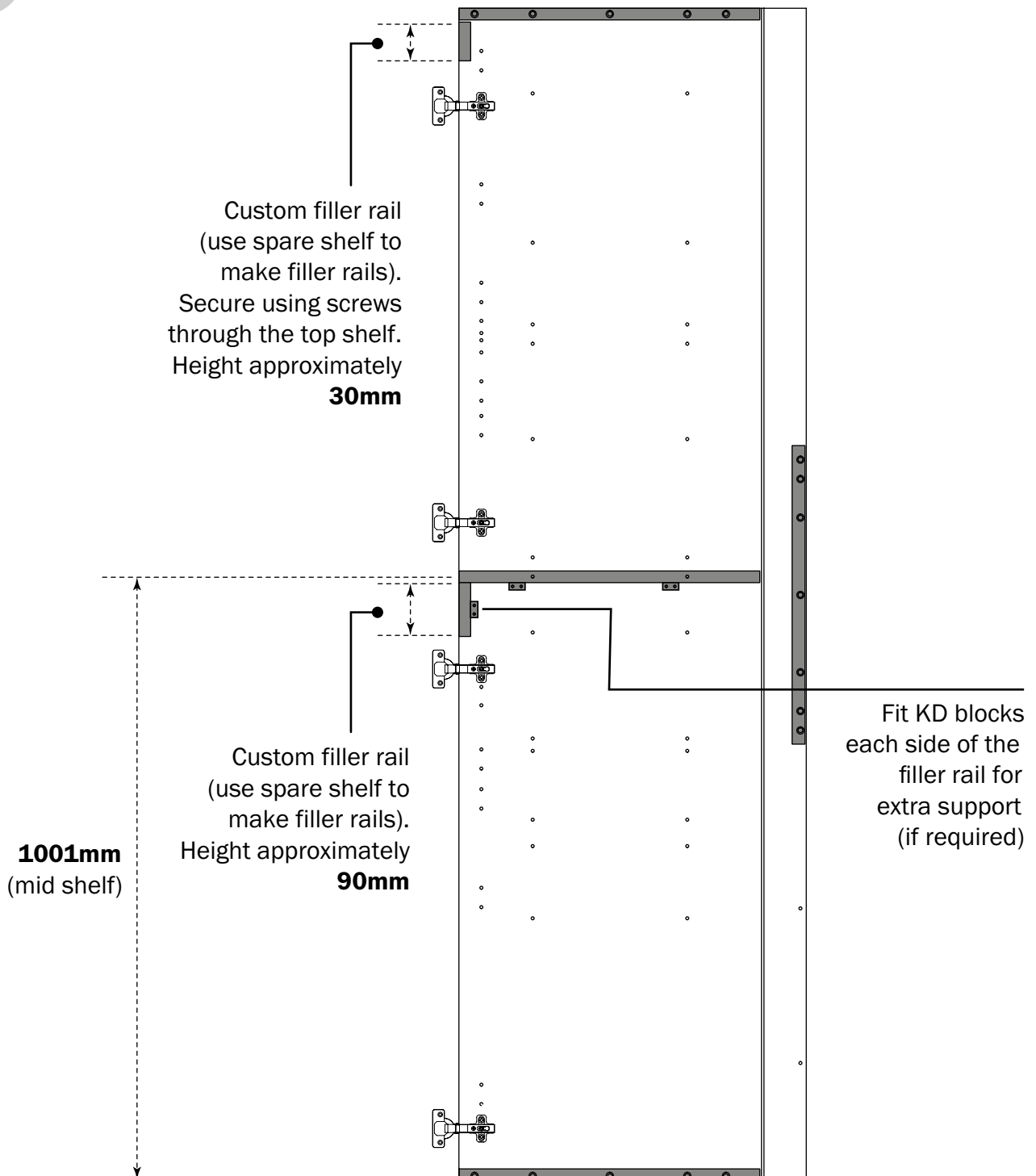
#### NOTES:

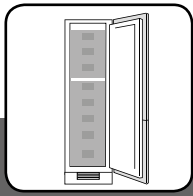
Shelf configurations are identical for standard height and tall options.

For tall options a 180mm box is fitted to the top of the tower (upper door hinge moves into top box for door fixing).

**IMPORTANT: For this appliance tower, the base panel and mid shelf will need to be cut at the back to allow for ventilation.**

13





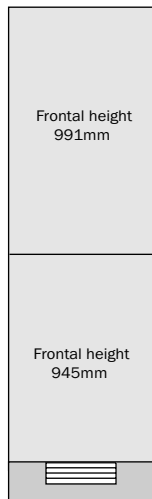
## Section 6 - Appliance tower shelf configurations

# 50/50 Fridge/freezer (one appliance) options

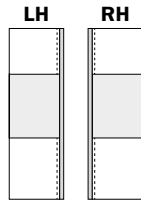
The information below shows the cabinet configurations that can be achieved when installing a 50/50 fridge/freezer. Each overview page is followed by the shelf configurations applicable to the appliance shown.

### Standard options

50/50 Fridge/  
freezer  
(one appliance)



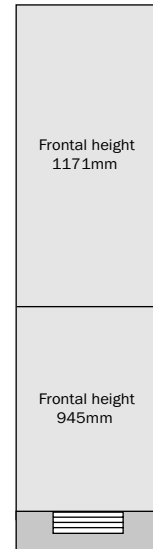
Appliance towers  
can be either  
LH or RH  
depending on  
positioning of  
door/drawer  
chamfer.



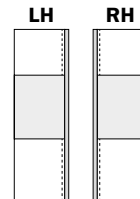
14

### Extra tall options

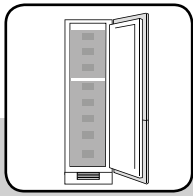
50/50 Fridge/  
freezer  
(one appliance)



Appliance towers  
can be either  
LH or RH  
depending on  
positioning of  
door/drawer  
chamfer.



14



## Section 6 - Appliance tower shelf configurations

Following the information on this page for positioning shelves and back panels.  
**The dimensions for the shelf positions are to the hole centre.**

### 50/50 Fridge/freezer (one appliance) options

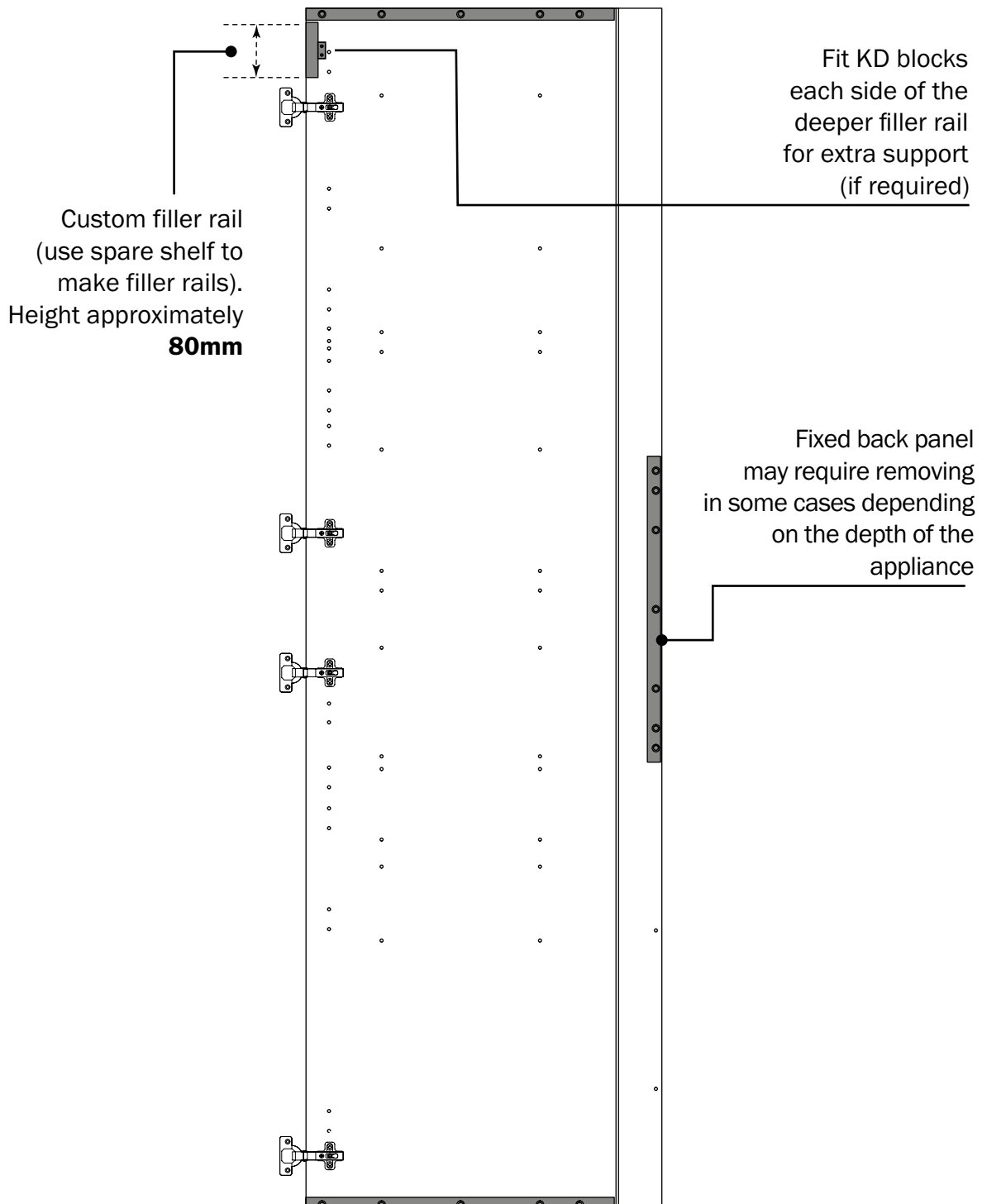
#### NOTES:

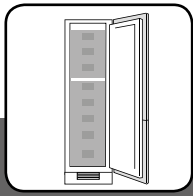
Shelf configurations are identical for standard height and tall options.

For tall options a 180mm box is fitted to the top of the tower (upper door hinge moves into top box for door fixing).

14

**IMPORTANT: For this appliance tower, the base panel will need to be cut at the back to allow for ventilation.**





## Section 6 - Appliance tower shelf configurations

# 70/30 Fridge/freezer (one appliance) options

The information below shows the cabinet configurations that can be achieved when installing a 70/30 fridge/freezer. Each overview page is followed by the shelf configurations applicable to the appliance shown.

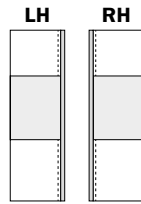
### Standard options

70/30 Fridge/  
freezer  
(one appliance)

70/30 Fridge/  
freezer  
(one appliance  
BOSCH)



Appliance towers  
can be either  
LH or RH  
depending on  
positioning of  
door/drawer  
chamfer.



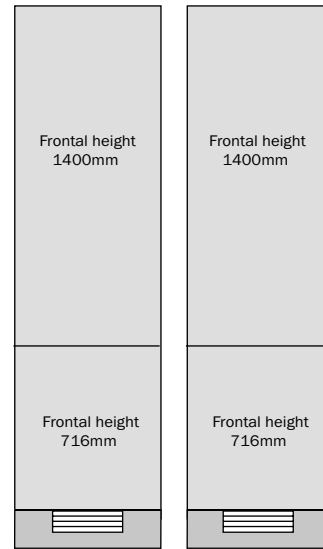
15

16

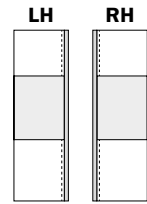
### Extra tall options

70/30 Fridge/  
freezer  
(one appliance)

70/30 Fridge/  
freezer  
(one appliance  
BOSCH)



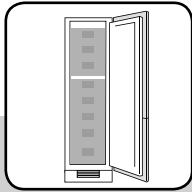
Appliance towers  
can be either  
LH or RH  
depending on  
positioning of  
door/drawer  
chamfer.



15

16





## Section 6 - Appliance tower shelf configurations

Following the information on this page for positioning shelves and back panels.  
**The dimensions for the shelf positions are to the hole centre.**

### 70/30 Fridge/freezer (one appliance) options

#### NOTES:

Shelf configurations are identical for standard height and tall options.

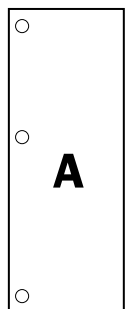
For tall options a 180mm box is fitted to the top of the tower (upper door hinge moves into top box for door fixing).

15

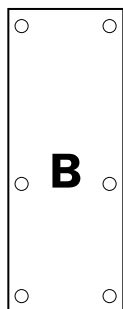
**IMPORTANT: For this appliance tower, the base panel will need to be cut at the back to allow for ventilation.**

**NOTE:** Shelf position may require adjusting dependent on appliance/feet fitted. Measure the height of the appliance before final top shelf fixing. In addition to this, when fixing the appliance plastic top trim for some fridge/freezers, the fixing holes may require re-drilling to avoid pre-drilled holes in the underside of the cabinet shelf.

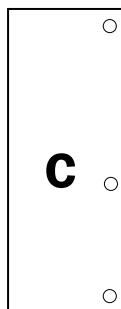
**NOTE:** When fitting hinges to your side panel, make sure the correct hinge hole positions are used, in relation to the door drillings (see below).



LH Door

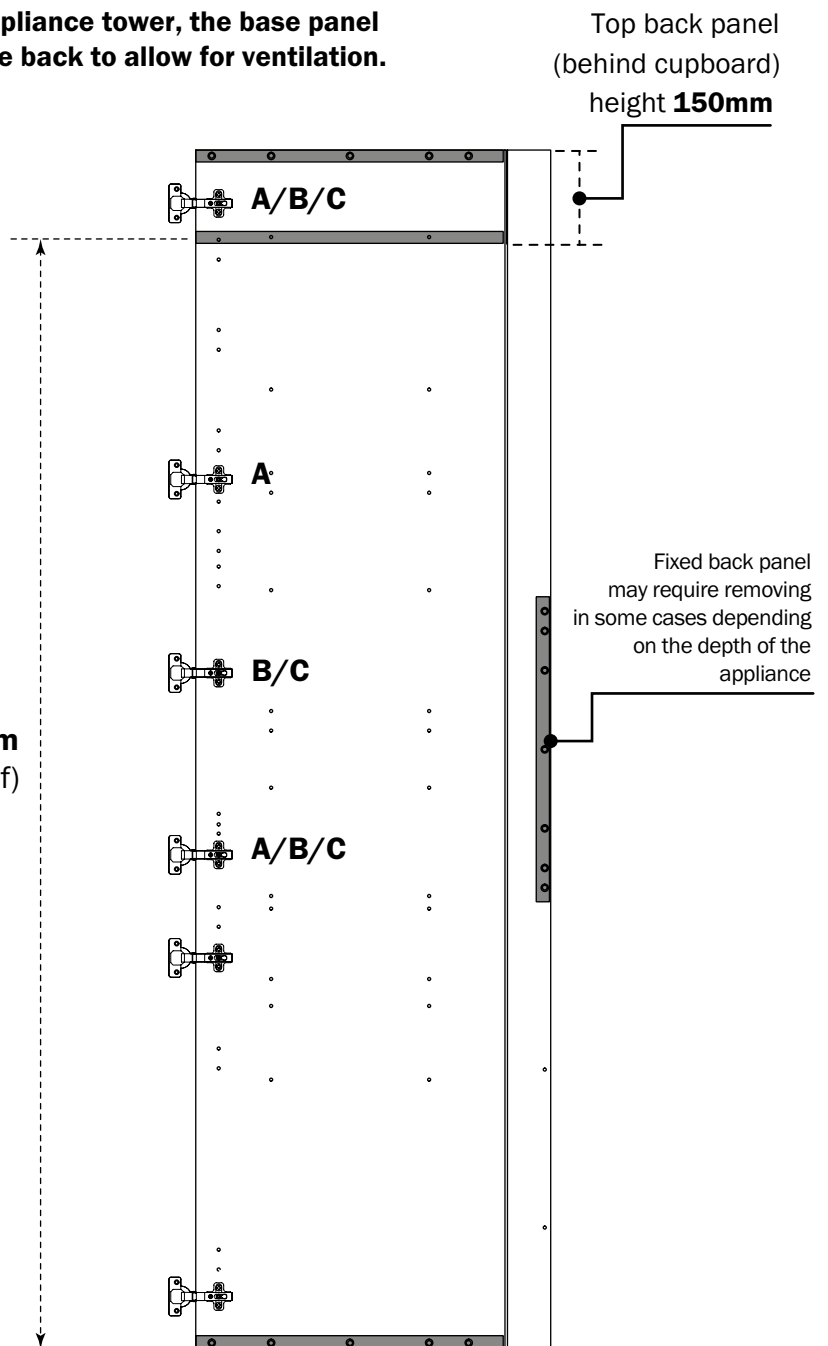


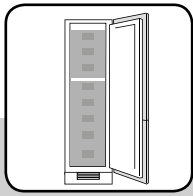
LH/RH Door



RH Door

1801mm  
(top shelf)





## Section 6 - Appliance tower shelf configurations

Following the information on this page for positioning shelves and back panels.  
**The dimensions for the shelf positions are to the hole centre.**

### 70/30 Fridge/freezer (BOSCH one appliance) options

#### NOTES:

Shelf configurations are identical for standard height and tall options.

For tall options a 180mm box is fitted to the top of the tower (upper door hinge moves into top box for door fixing).

**IMPORTANT: For this appliance tower, the base panel will need to be cut at the back to allow for ventilation.**

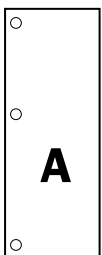
16

Cut out the top shelf using the dimensions given, to allow the shelf to fit over the hinge plate.

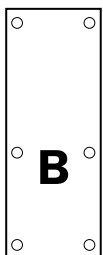
**NOTE:** The top shelf position will require drilling as this is 32mm above the existing holes.

**NOTE:** Shelf position may require adjusting dependent on appliance/feet fitted. Measure the height of the appliance before final top shelf fixing. In addition to this, when fixing the appliance plastic top trim for some fridge/freezers, the fixing holes may require re-drilling to avoid pre-drilled holes in the underside of the cabinet shelf.

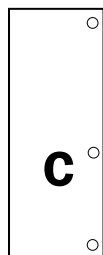
**NOTE:** When fitting hinges to your side panel, make sure the correct hinge hole positions are used, in relation to the door drillings (see below).



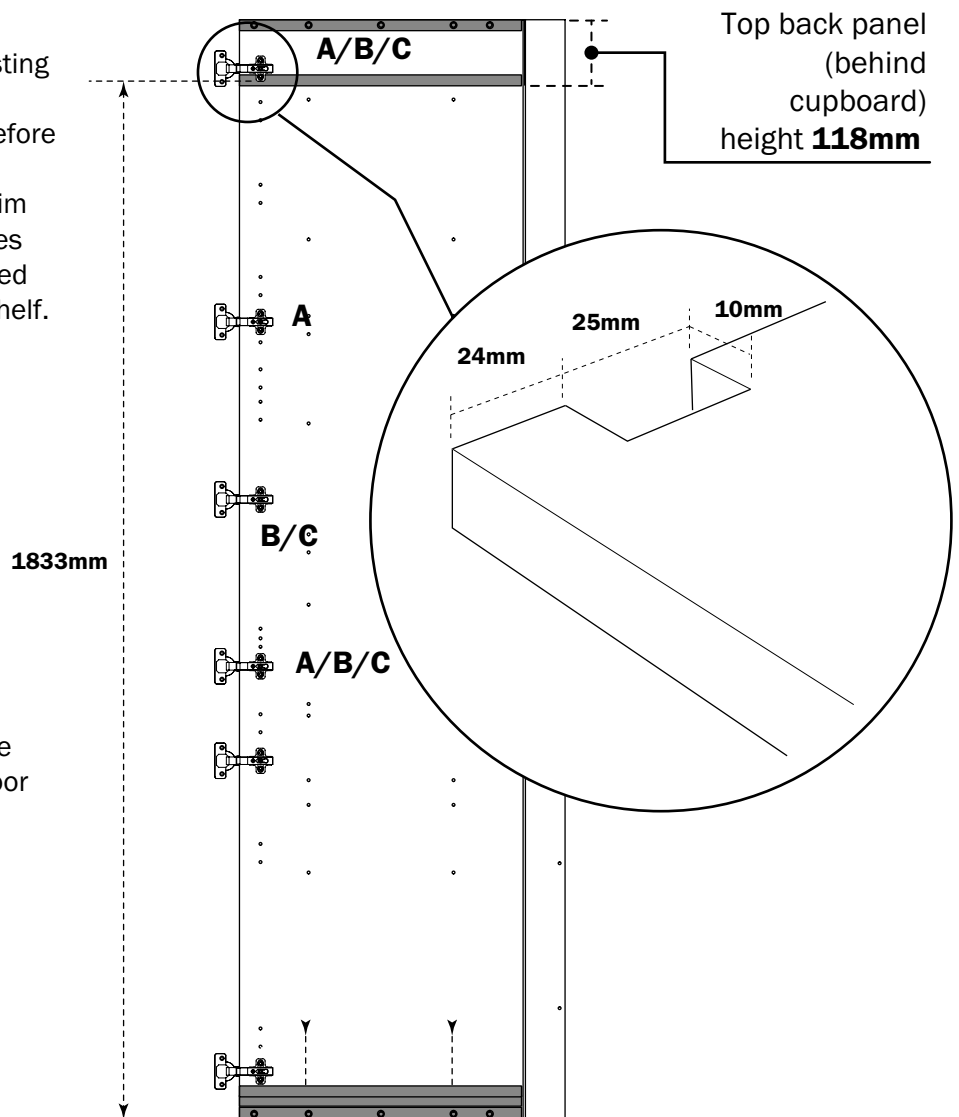
LH Door



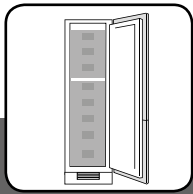
LH/RH Door



RH Door



Secure the base shelves together using the 30mm screws provided.



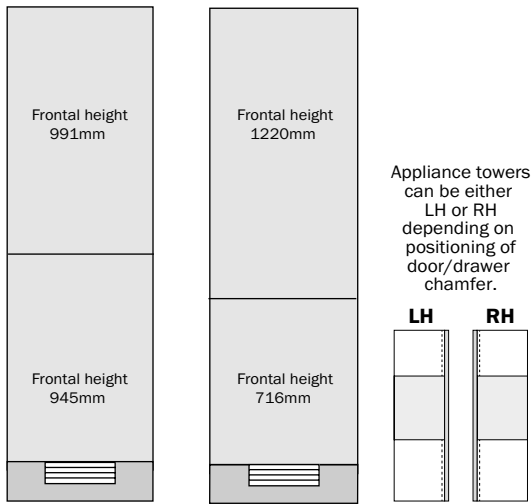
## Section 6 - Appliance tower shelf configurations

# Full height larder fridge/freezer options

The information below shows the cabinet configurations that can be achieved when installing a full height larder fridge/freezer. Each overview page is followed by the shelf configurations applicable to the appliance shown.

### Standard options

Full height fridge/freezer (50/50 door split)  
Full height fridge/freezer (70/30 door split)

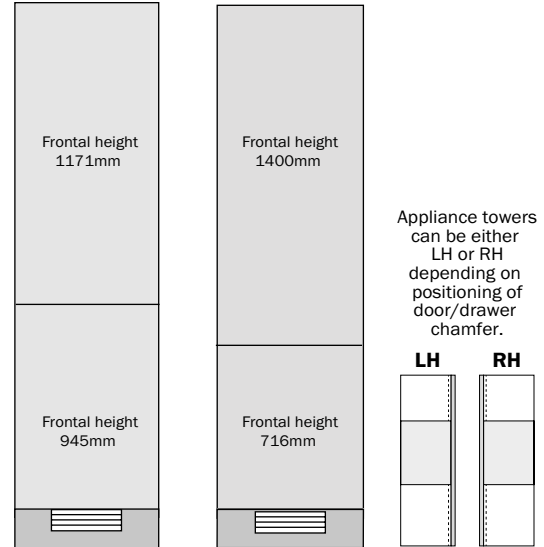


17a

17b

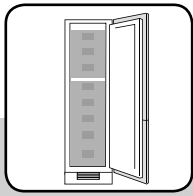
### Extra tall options

Full height fridge/freezer (50/50 door split)  
Full height fridge/freezer (70/30 door split)



17a

17b



## Section 6 - Appliance tower shelf configurations

Following the information on this page for positioning shelves and back panels.  
**The dimensions for the shelf positions are to the hole centre.**

### Full height larder fridge/freezer options

#### NOTES:

Shelf configurations are identical for standard height and tall options.

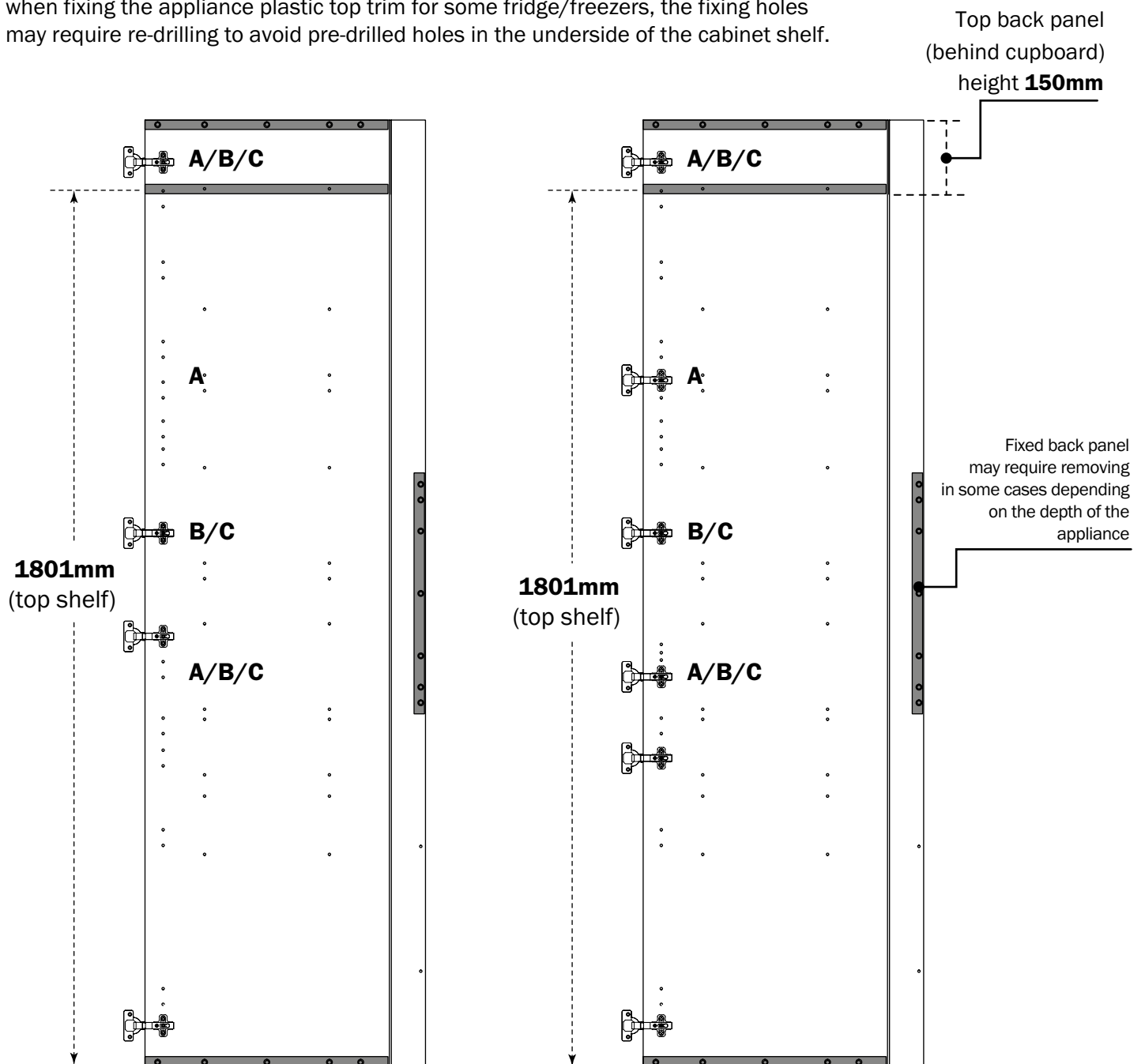
For tall options a 180mm box is fitted to the top of the tower (upper door hinge moves into top box for door fixing).

17a

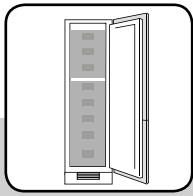
17b

**NOTE:** Shelf position may require adjusting dependent on appliance/feet fitted.

Measure the height of the appliance before final top shelf fixing. In addition to this, when fixing the appliance plastic top trim for some fridge/freezers, the fixing holes may require re-drilling to avoid pre-drilled holes in the underside of the cabinet shelf.



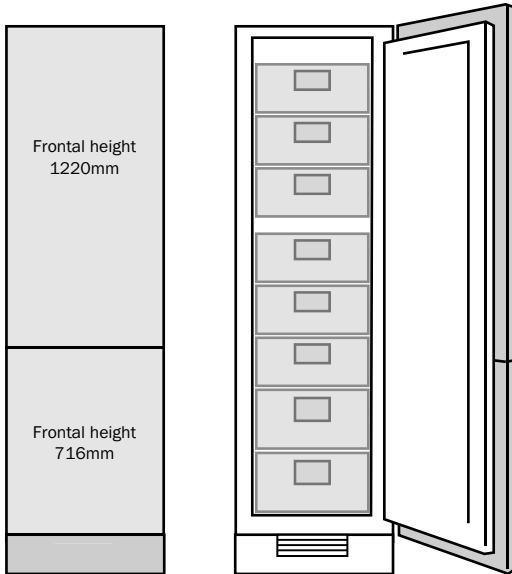
**IMPORTANT:** For this appliance tower, the base panel will need to be cut at the back to allow for ventilation.



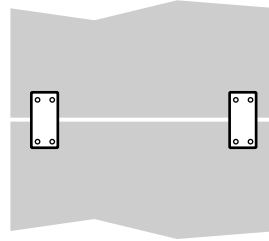
## Section 6 - Appliance tower shelf configurations

Follow the instructions below for fitting the 70/30 tower cabinet doors to a full height fridge/freezer.

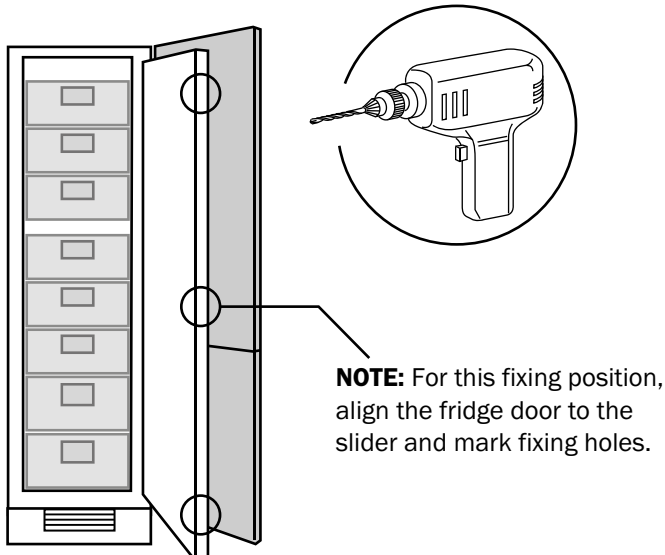
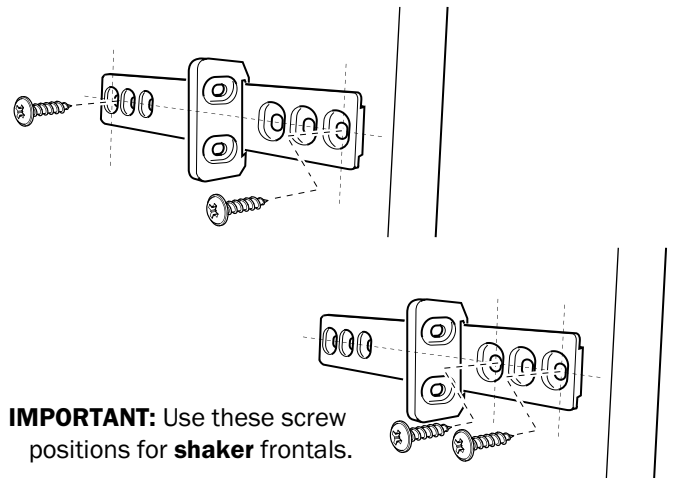
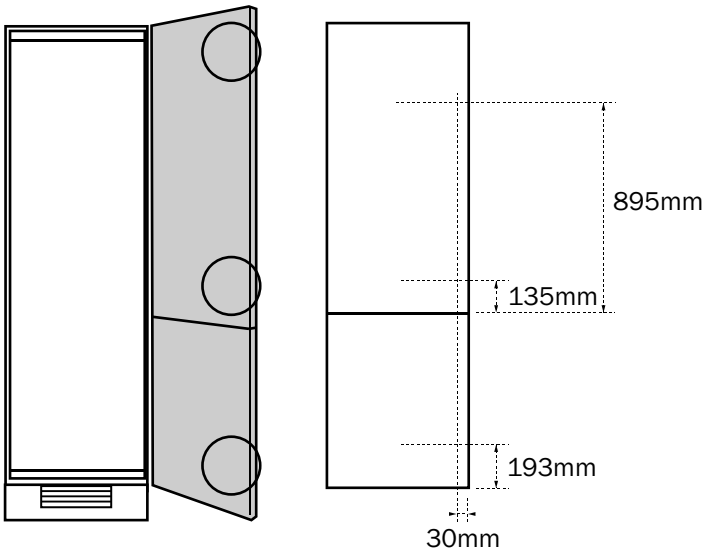
### 70/30 Fridge/freezer door application



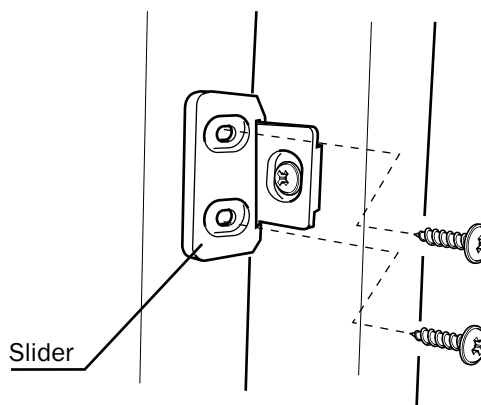
- 1** Hang the doors to the cabinet as shown in the section on the installation manual and secure together with metal plates (see illustrations below).

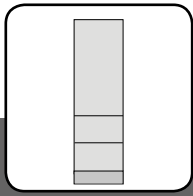


- 2** Measure, mark and fit brackets to doors.  
**NOTE:** For kitchen frontals with a centre panel, the bracket fixing will need to be secure only at the end nearest the door edge. Place an additional screw in the third hole along from the front to secure.



- 3** Drill through the two sets of holes pre-marked into the edge of the appliance door. Secure the slider parts of the brackets to the appliance door.





## Section 6 - Appliance tower shelf configurations

# Larder tower options

The information below shows the cabinet configurations that can be achieved when installing a larder tower. Each overview page is followed by the shelf configurations applicable to the appliance shown.

### Standard options

300 Larder tower with 3 drawers



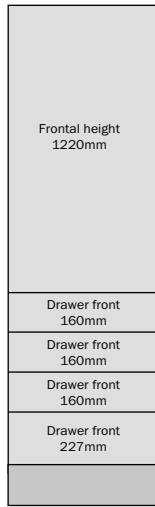
19

500 Larder tower with 2 drawers



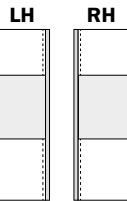
18

500 Larder tower with 4 drawers



20

Appliance towers can be either LH or RH depending on positioning of door/drawer chamfer.



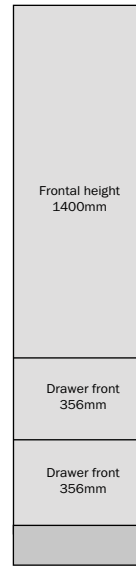
### Extra tall options

300 Larder tower with 3 drawers



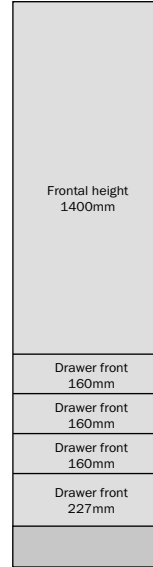
19

500 Larder tower with 2 drawers



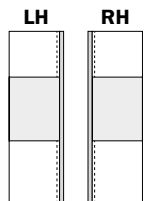
18

500 Larder tower with 4 drawers



20

Appliance towers can be either LH or RH depending on positioning of door/drawer chamfer.

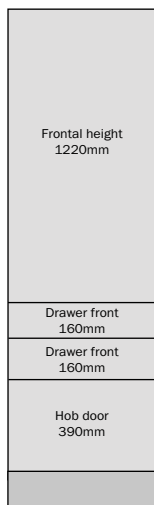


600 Larder tower with 2 drawers



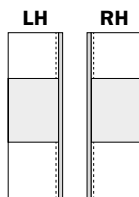
18

600 Larder tower with 3 drawers

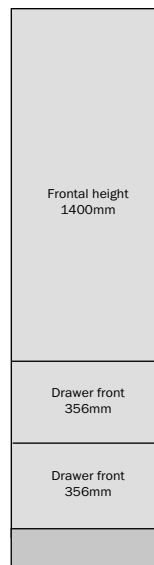


19

Appliance towers can be either LH or RH depending on positioning of door/drawer chamfer.

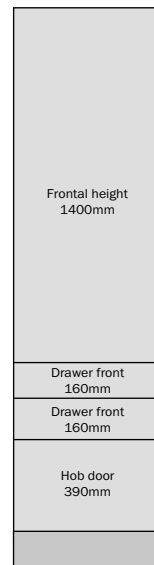


600 Larder tower with 2 drawers



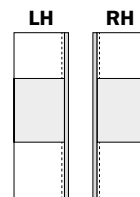
18

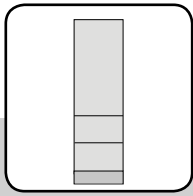
600 Larder tower with 3 drawers



19

Appliance towers can be either LH or RH depending on positioning of door/drawer chamfer.





## Section 6 - Appliance tower shelf configurations

Following the information on this page for positioning shelves and runners.  
**The dimensions for the shelf positions are to the hole centre.**

### Larder tower options with drawers

#### NOTES:

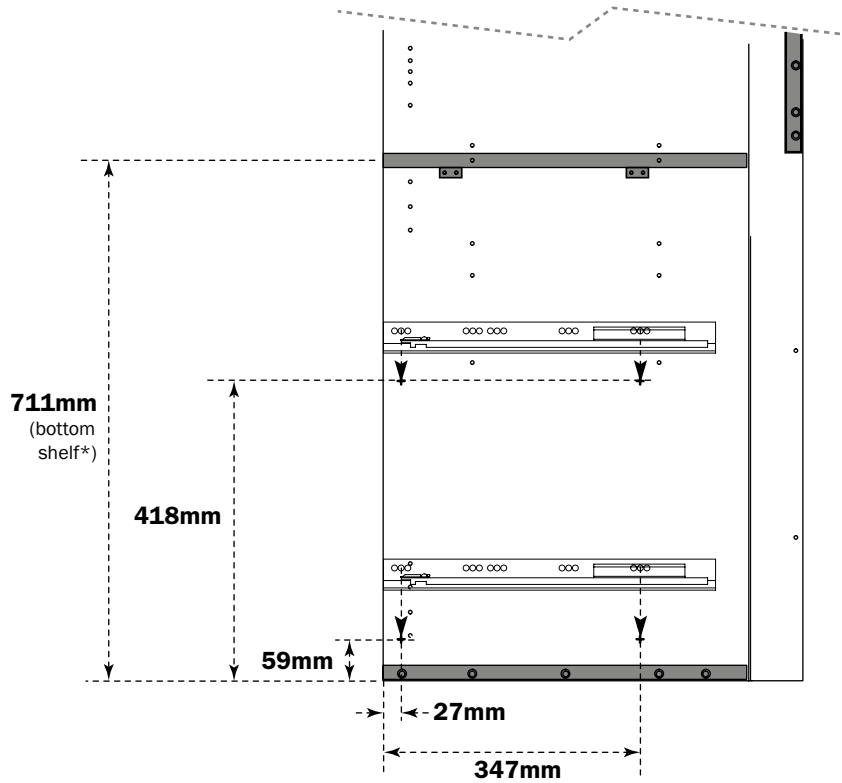
Shelf configurations are identical for standard height and tall options.

For tall options a 180mm box is fitted to the top of the tower (upper door hinge moves into top box for door fixing).

18

\*Bottom shelf fixing holes for larder application will require drilling at 720mm (KD blocks not required in larder application).

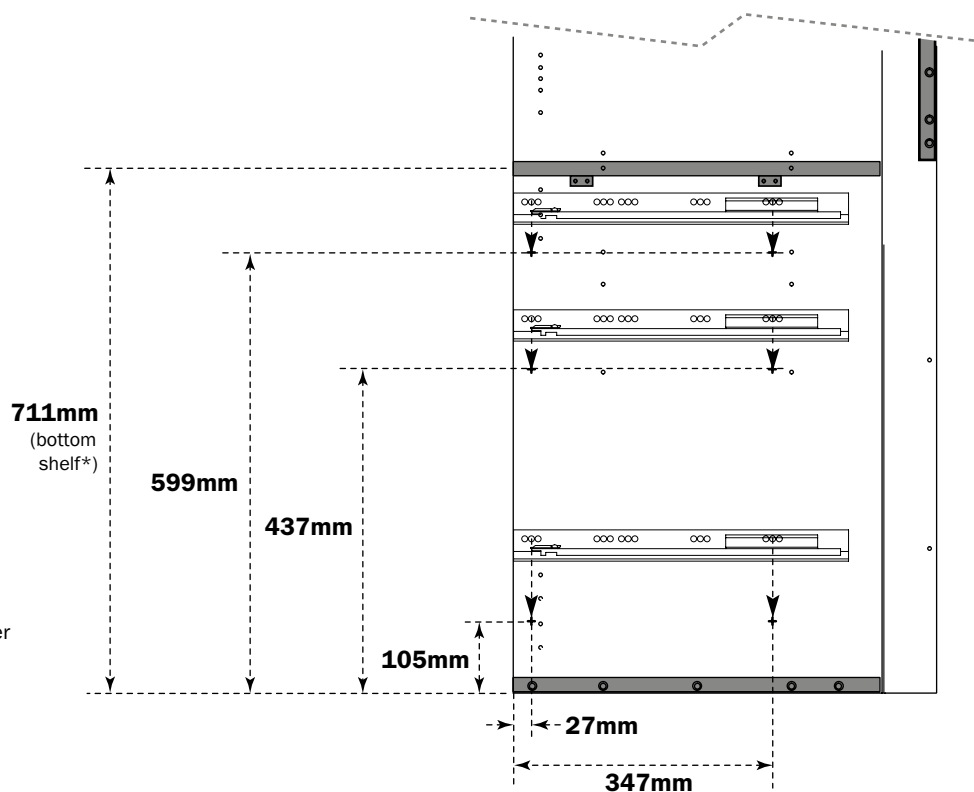
Spike the holes for the runner fixings using the dimensions shown in the diagram.

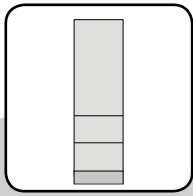


19

\*Bottom shelf fixing holes for larder application will require drilling at 720mm (KD blocks not required in larder application).

Spike the holes for the runner fixings using the dimensions shown in the diagram.





## Section 6 - Appliance tower shelf configurations

Following the information on this page for positioning shelves and runners.  
**The dimensions for the shelf positions are to the hole centre.**

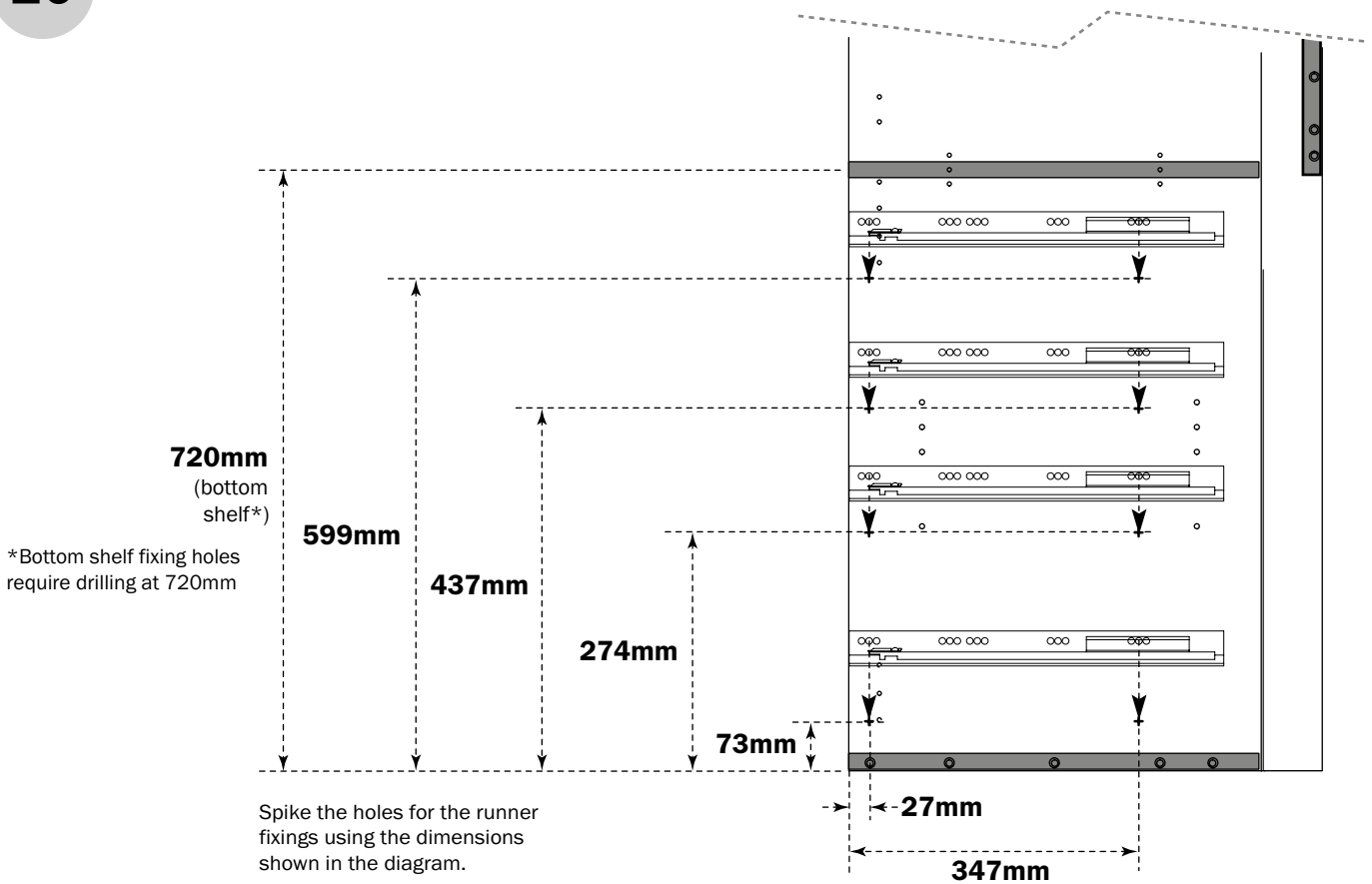
### Larder tower options with drawers

#### NOTES:

Shelf configurations are identical for standard height and tall options.

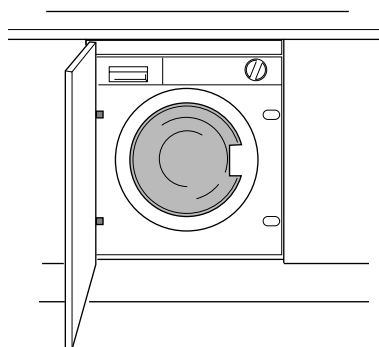
For tall options a 180mm box is fitted to the top of the tower (upper door hinge moves into top box for door fixing).

20





# Bosch washing machine

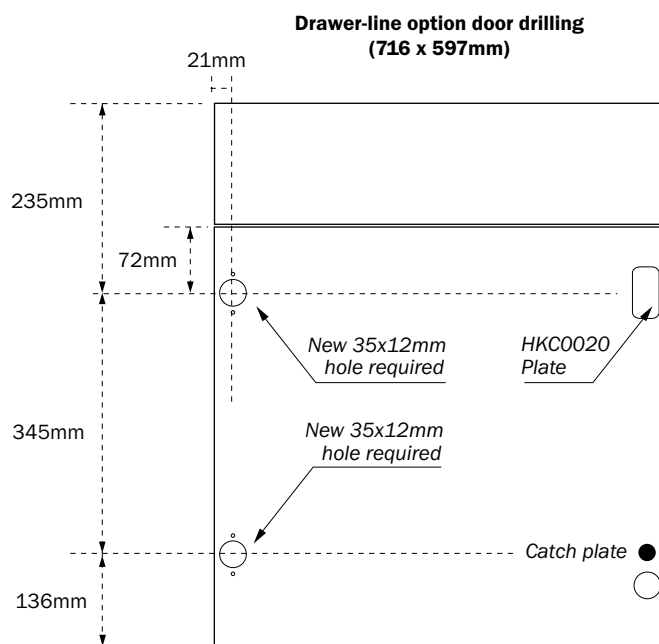
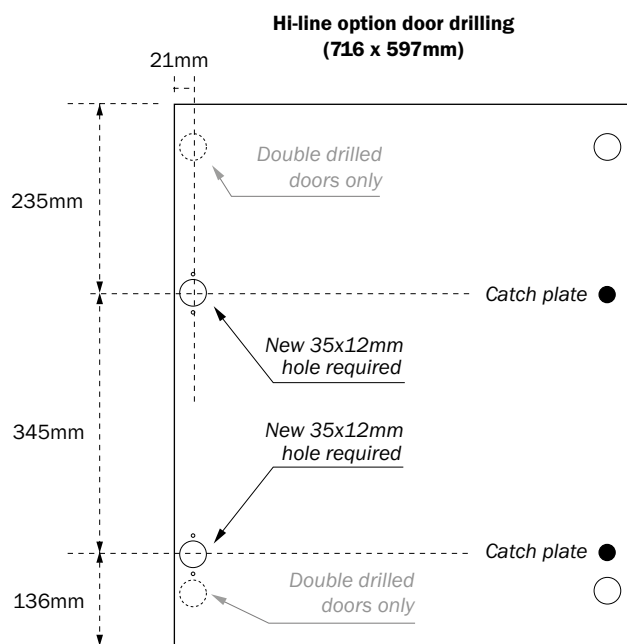


**IMPORTANT NOTES:**

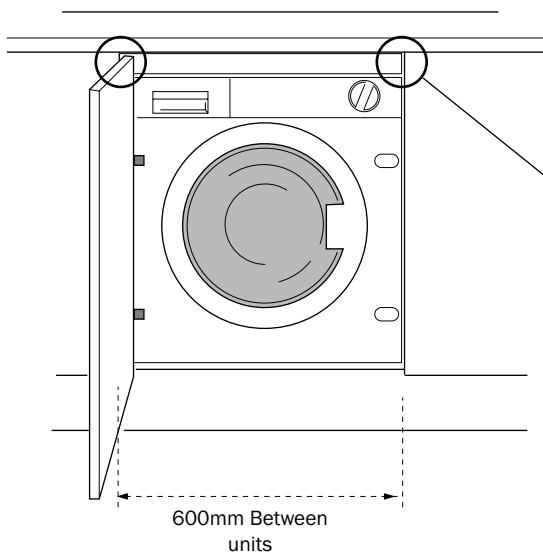
This installation manual should be used in conjunction with the instruction booklet supplied with the appliance for hinge fixing and door.

## Installation

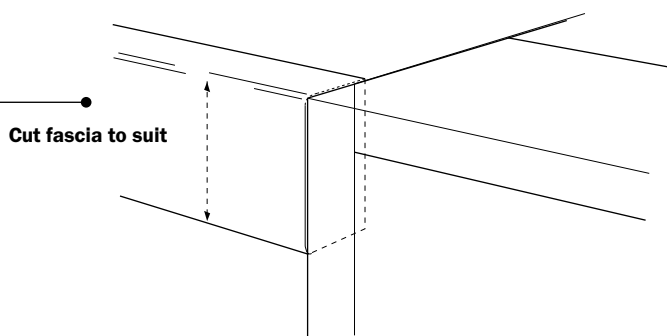
- 1 Drill the hinge holes on the LH or RH side of the door depending on the opening preference.
  - NOTE:** Do not drill the hinge hole any deeper than 12mm. Follow the appliance instruction booklet for door hanging.
  - NOTE:** For drawer-line door option, use the HKC0020 jointing plate as a replacement for the catch plate supplied (double drilled doors only).



**NOTE:** Double drilled DL doors cannot be fitted.

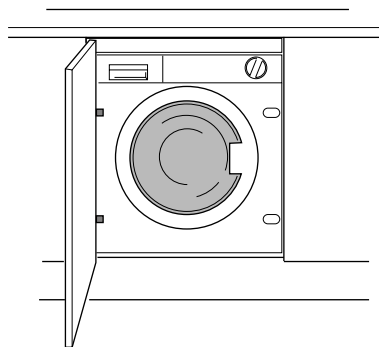


- 2 Fit fascia rail between the two adjacent cabinets fitting flush with the front and top edge.



Position the appliance and use the foot adjustment and packing (if necessary) to achieve the correct height of the appliance.

# Bosch washer dryer

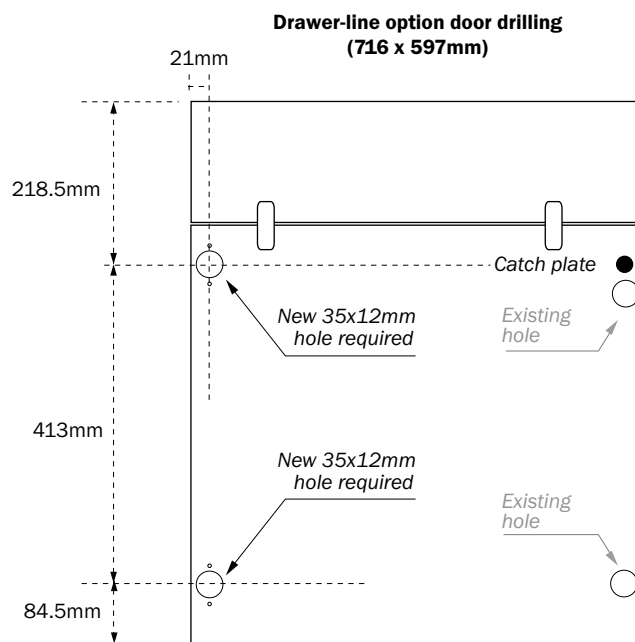
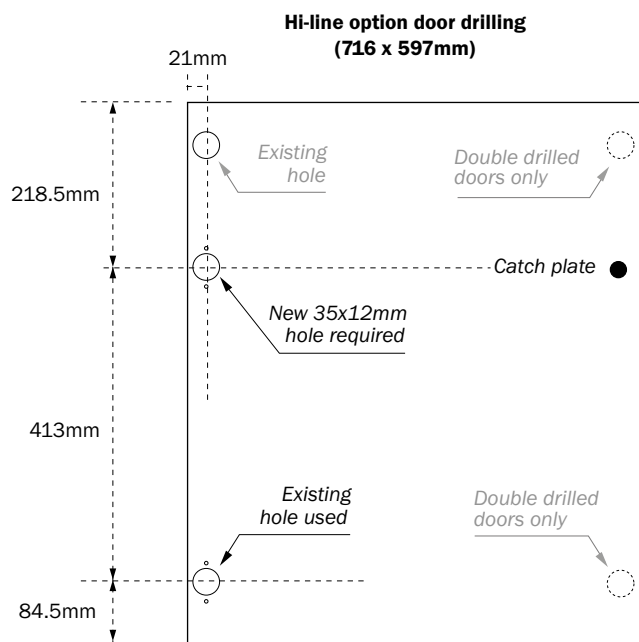


**IMPORTANT NOTES:**

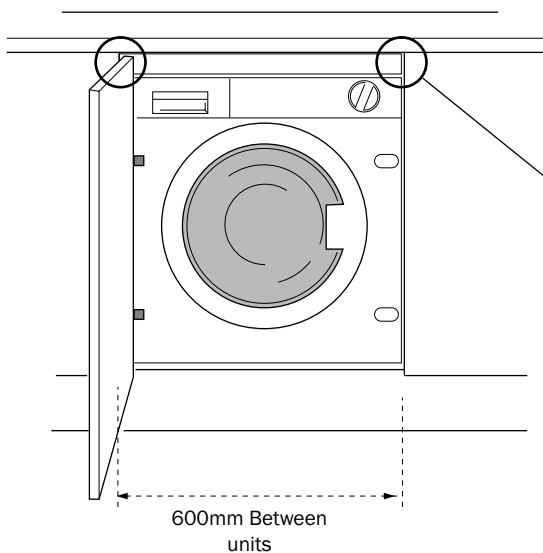
This installation manual should be used in conjunction with the instruction booklet supplied with the appliance for hinge fixing and door location.

## Installation

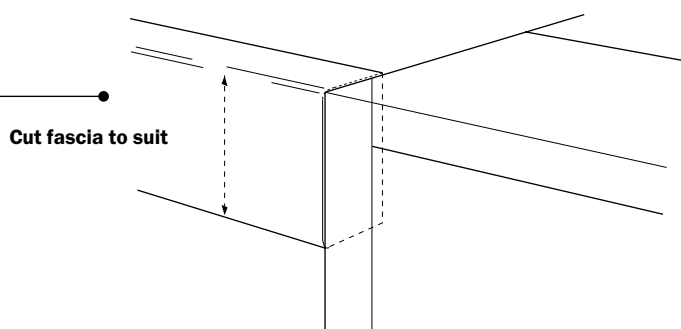
- 1 Drill the hinge holes on the LH or RH side of the door depending on the opening preference.  
**NOTE:** Do not drill the hinge hole any deeper than 12mm.  
 Follow the appliance instruction booklet for door hanging.



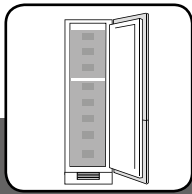
**NOTE:** Double drilled Drawer-Line doors cannot be fitted.



- 2 Fit fascia rail between the two adjacent cabinets fitting flush with the front and top edge.

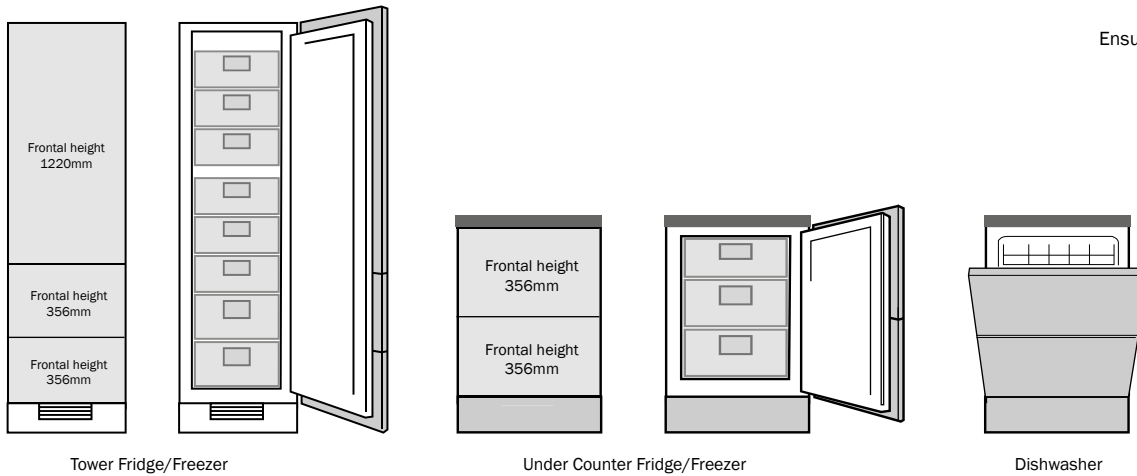


Position the appliance and use the foot adjustment and packing (if necessary) to achieve the correct height of the appliance.



## Section 6 - Appliance tower shelf configurations

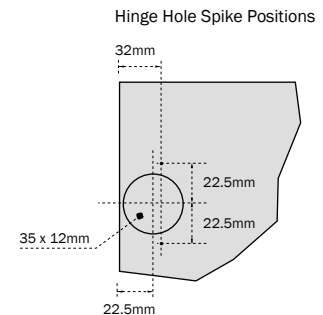
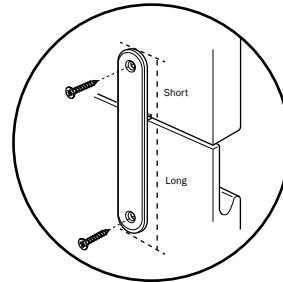
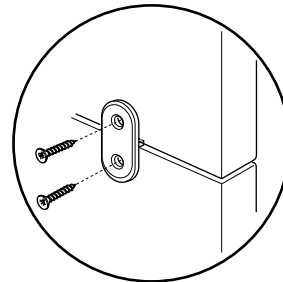
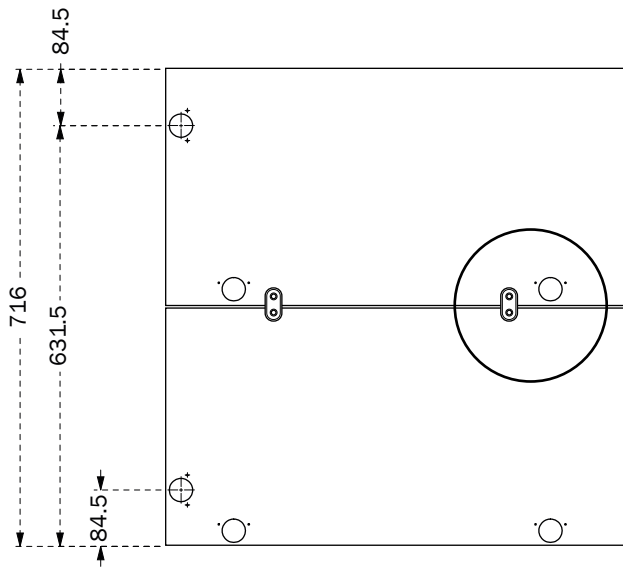
# Half Height Frontals



**Important Notes:**  
Ensure packaging is disposed of in a safe environmentally friendly way

### Fridge/Freezer Application

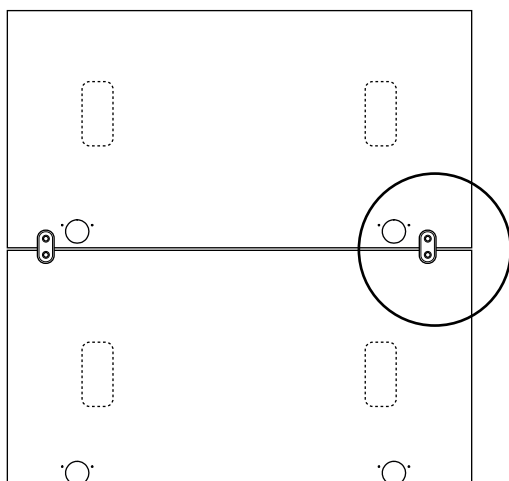
Pilot drill and fit the brackets to the doors using the screws. **NOTE:** The bracket will automatically space the doors apart. Measure, mark and drill the side hinge hole positions following the dimensions shown.



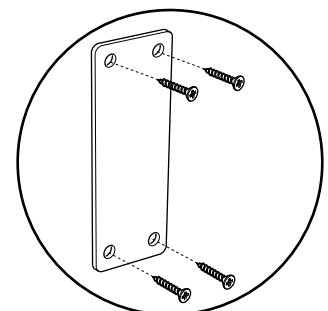
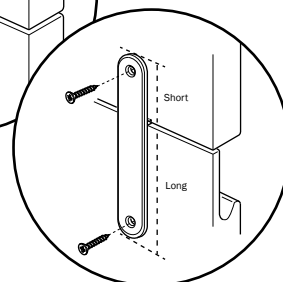
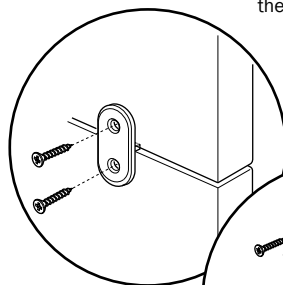
### Dishwasher Application

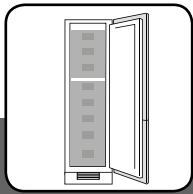
Fit the jointing brackets as above.

**NOTE:** In some dishwasher applications, spacer brackets (not supplied) may be required to ensure frontals sit level with the dishwasher door. The centre jointing brackets may cause the frontal to be raised at the join once the door is fitted to the dishwasher.



### Door Jointing (Standard frontals)

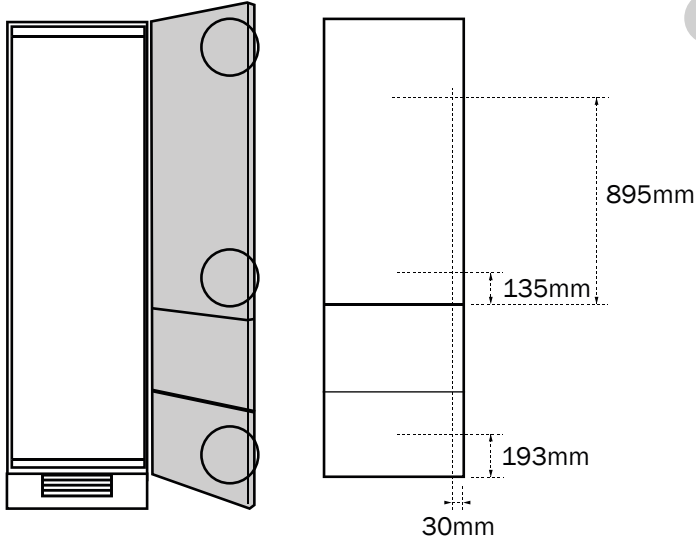




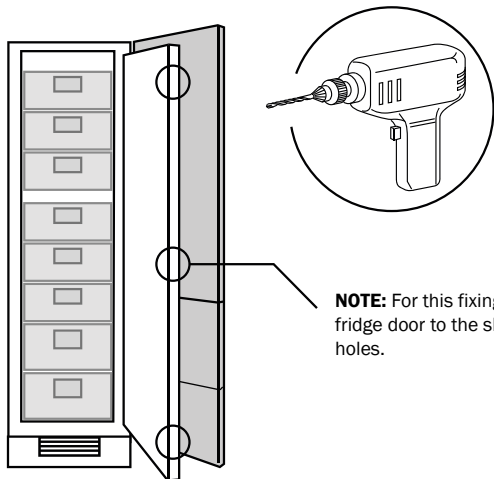
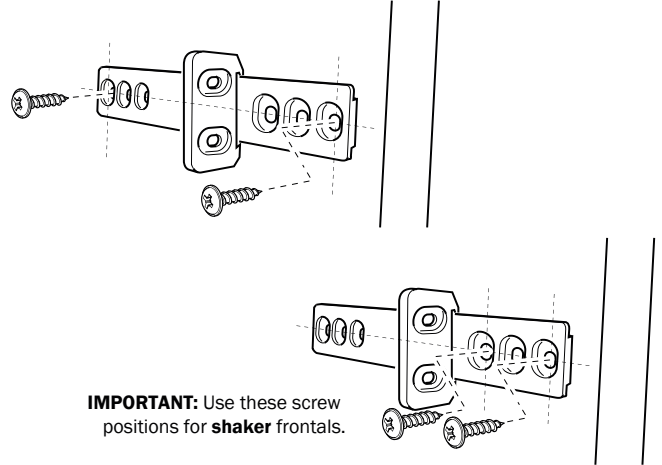
## Section 6 - Appliance tower shelf configurations

# Half Height Frontals

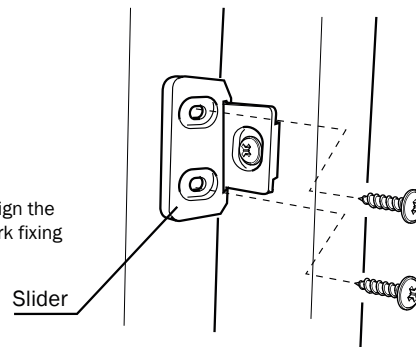
### Fridge/Freezer Application



- 2** Measure, mark and fit brackets to doors.  
**NOTE:** For kitchen frontals with a centre panel, the bracket fixing will need to be secure only at the end nearest the door edge. Place an additional screw in the third hole along from the front to secure.



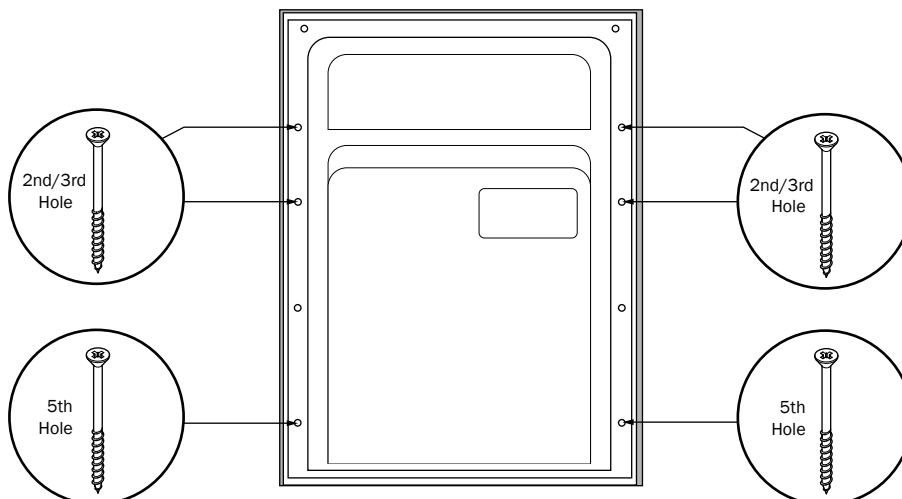
- 3** Drill through the two sets of holes pre-marked into the edge of the appliance door. Secure the slider parts of the brackets to the appliance door.



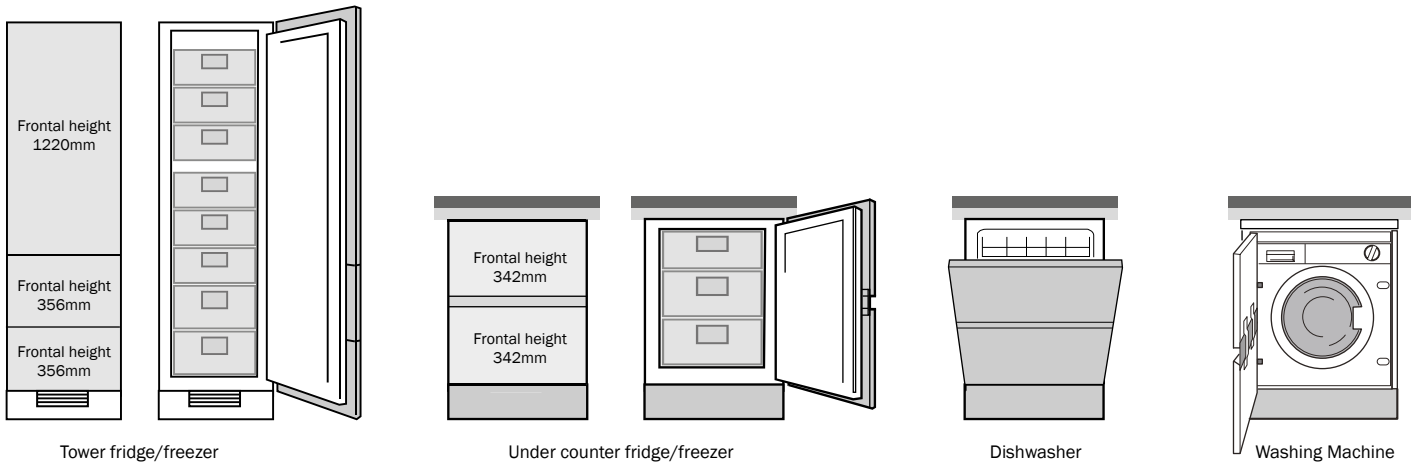
### Dishwasher Application Example

Back of a dishwasher door illustrated.

**NOTE:** Follow the dishwasher installation guide for specific fixing information relating to the specific appliance



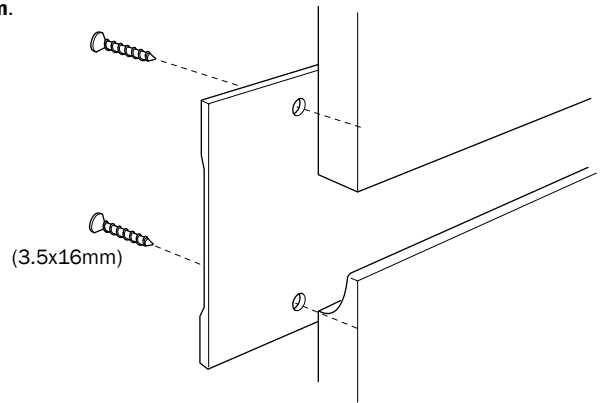
# Half Height Frontals



- 1 Measure and space the frontals apart to ensure the overall correct height of **716mm**. Cut the profile to length if required (for 450mm application). Fit the dummy appliance profile to the back of the frontals using the screws to secure.  
**NOTE:** Make sure the profile is fixed so it aligns with the adjoining profiles in the cabinet run.

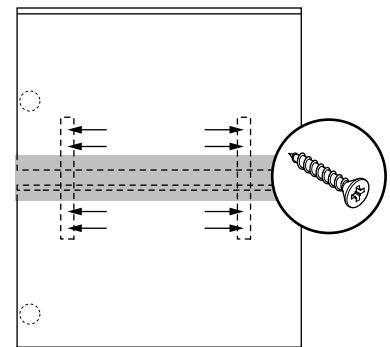
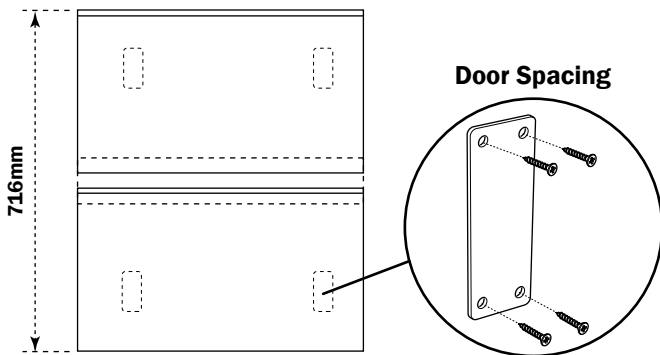
When fitting fridge door to the frontals (as shown in the manufacturer's instructions), additional spacing between the brackets and the door may be required. Use washers to space if necessary.

See also **Profile Installation - Section 1** for further details.

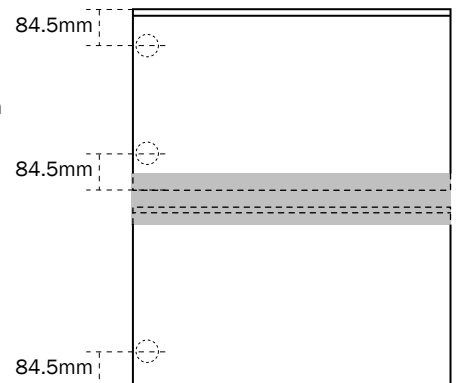
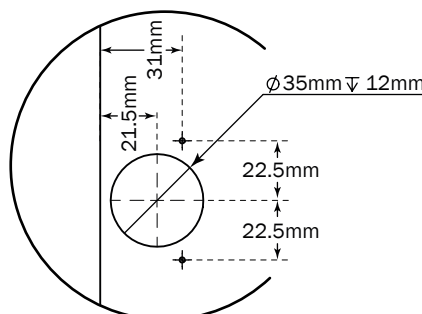


**NOTE:** In some **dishwasher** applications, spacer brackets (not supplied), may be required to ensure the frontals sit level with the dishwasher door. The profile may cause the frontals to be raised at the join once the door is fitted to the dishwasher.

**NOTE:** When fitting doors to a **washing machine** application, central brackets will be required to add strength to the door. These are fitted as shown below.

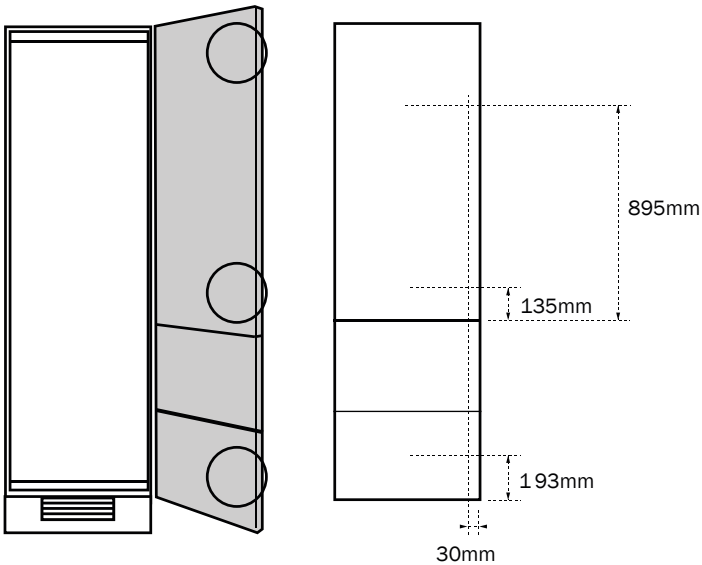


**NOTE:** If fitting a **dummy drawer** profile to two half heights which are to be used as one door, we recommend three hinge positions are used (two hinges on the top door with one at the bottom). In this application the drawer fronts will require drilling for the hinges. Follow the diagram for hinge location dimensions.

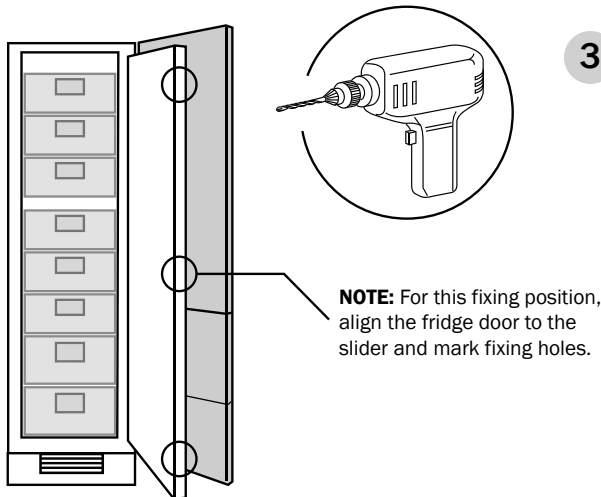
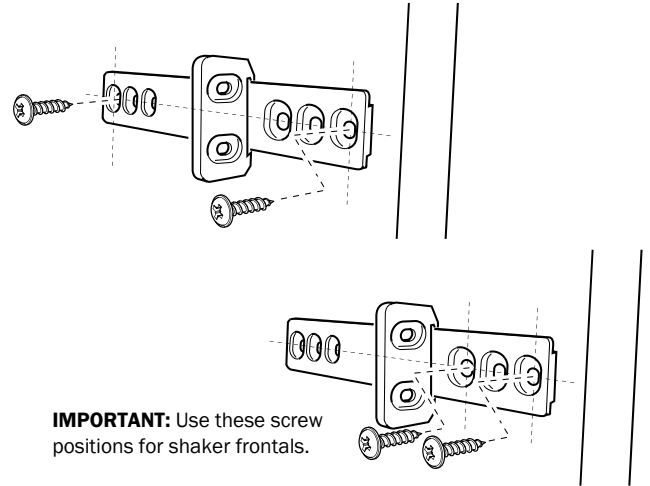


# Half Height Frontals

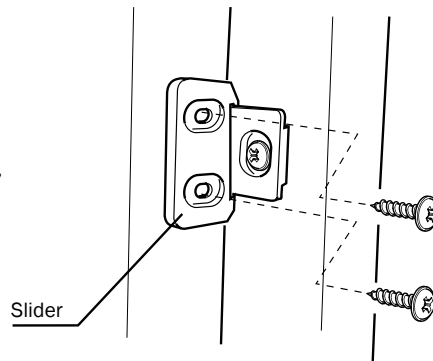
**Fridge/freezer application**



**2** Measure, mark and fit brackets to doors.  
**NOTE:** For kitchen frontals with a centre panel, the bracket fixing will need to be secure only at the end nearest the door edge. Place an additional screw in the third hole along from the front to secure.



**3** Drill through the two sets of holes pre-marked into the edge of the appliance door. Secure the slider parts of the brackets to the appliance door.



**LAMONA dishwasher application example**

**NOTE:** Follow the dishwasher installation guide supplied.

**IMPORTANT:** The plastic 'H' section for fixing the doors to the dishwasher requires cutting around the profile and fixing with additional screws.

Generic illustration shown - screw fixing for guidance only.

