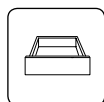


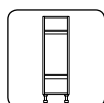
# Section 4

## Kitchen installation



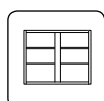
### Drawer packs and runner positions

Standard drawer box pack	page 60
Upgrade drawer box pack	page 63
Internal drawers box	page 68
Pan drawer front fixing	page 70
Profile Kitchen - Upgrade drawer box	page 71
Profile Kitchen - Internal drawers	page 75
Internal drawers	page 76



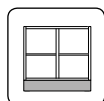
### Tower cabinets

Fixing to wall and connecting	page 78
-------------------------------	---------



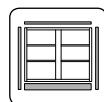
### Wall cabinets

Pre-build	page 79
Clearance dimensions	page 79
Standard corner wall cabinets - Fitting	page 80
Deep wall cabinets - Fitting	page 83
Fixing and connecting	page 84
Shelf installation - Standard and deep wall cabinets	page 85
Hob wall cabinet modification for microwave housing application	page 86
Hob wall/Half-height wall/Bridging cabinet	page 87
500mm and 600mm bi-fold unit	page 88
Aventos flap stay mechanism	page 90



### Plinths

Fixing plinths	page 91
Return plinth	page 92
Plinth fixing with integrated dishwasher	page 92
Plinth sealer strip and plinth vent	page 93
Plinth drawer adaptor kit	page 94



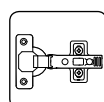
### Decor end panels and cornice / pelmets / pilasters

Fixing	page 96
Pilasters	page 98



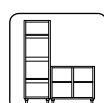
### Worktops and backboards

Fixing	page 100
Cutting and fixing	page 101
Fitting sink unit	page 102
Fitting backboards	page 102



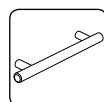
### Hinges

Fitting	page 103
Adjustment	page 103
Upgrade soft close hinges	page 104
Soft close de-activation switch	page 105
Magnetic catch - Push to open	page 106



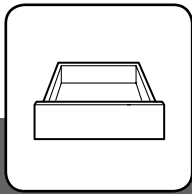
### Level H kitchens

Larder and base cabinet	page 107
Wall cabinet	page 108
Hob wall cabinet	page 109



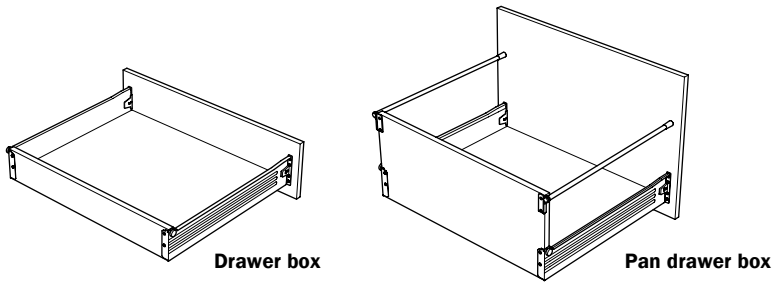
### Handles

Handle fixing	page 110
Finishing touches	page 110



# Section 4 - Kitchen installation - Drawer packs

## Standard drawer box pack

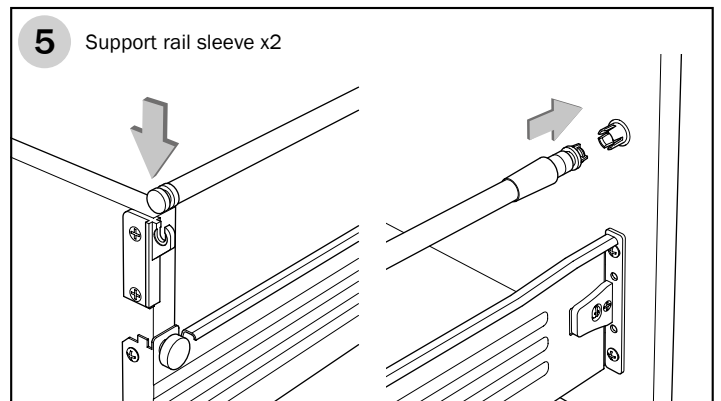
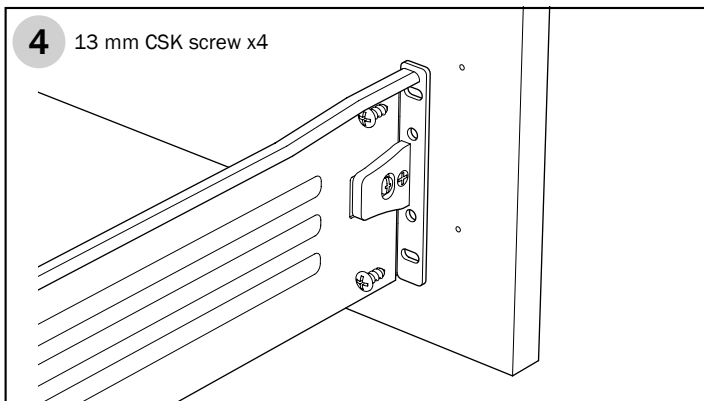
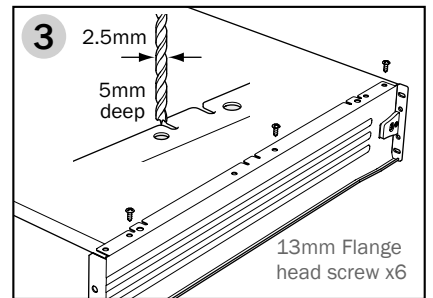
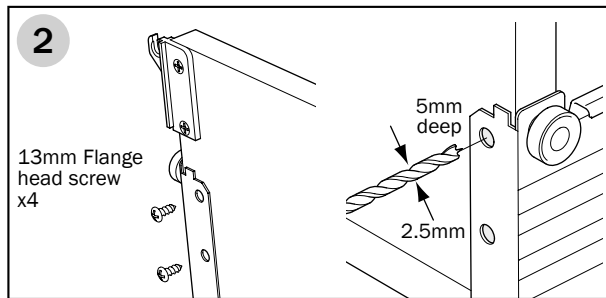
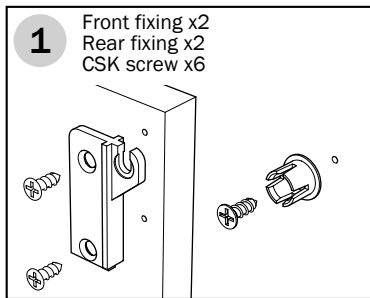
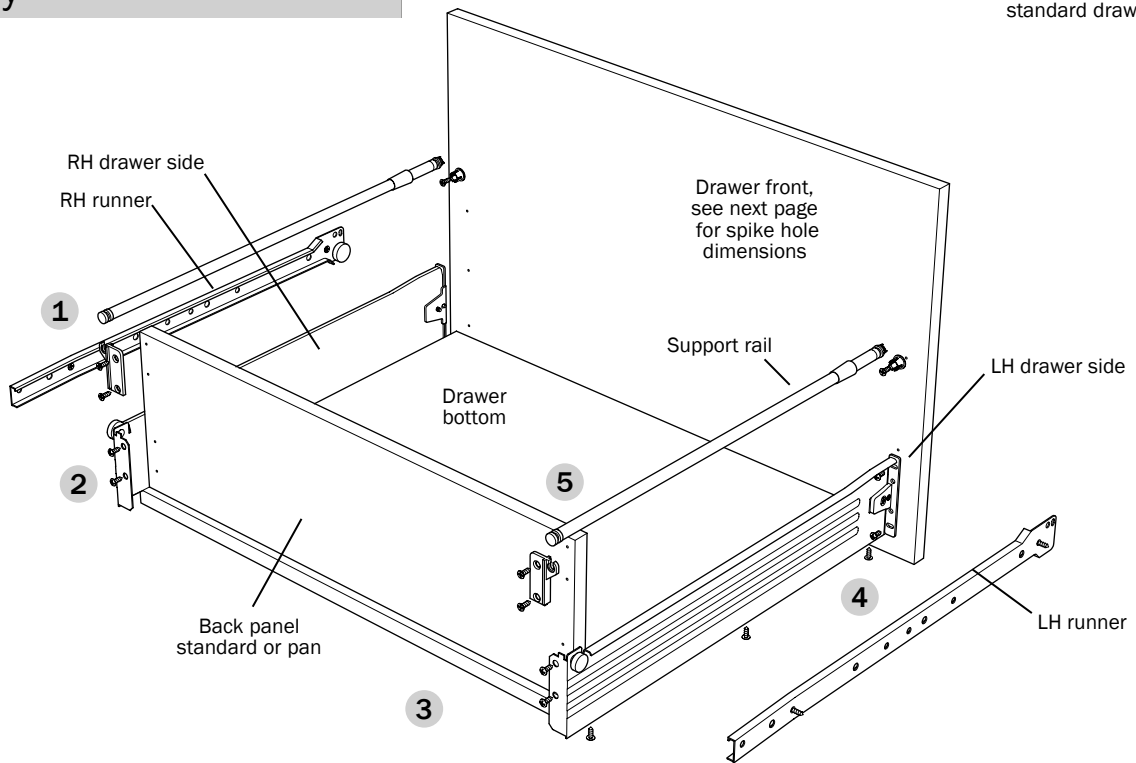


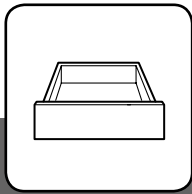
Drawer box

Pan drawer box

### Assembly

Standard pan drawer box illustrated, standard drawer box similar.

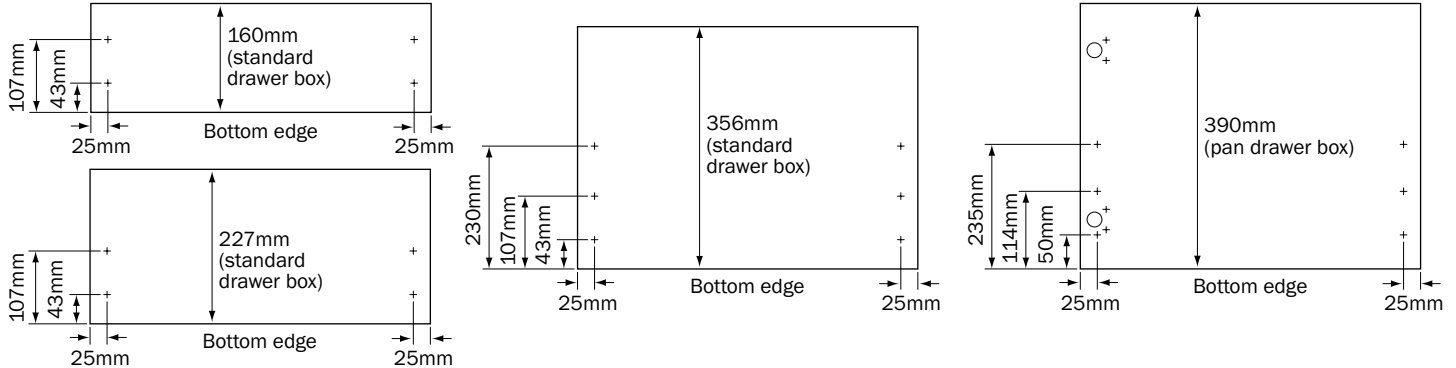




## Section 4 - Kitchen installation - Drawer packs

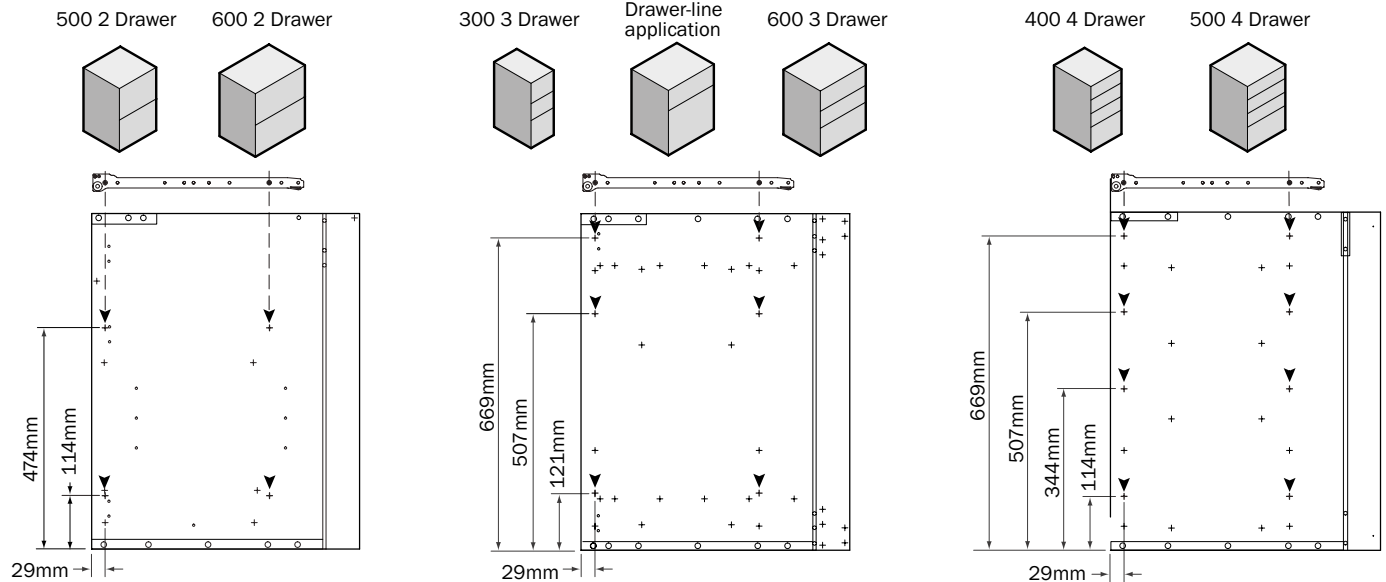
# Standard drawer box pack

### Drawer fronts

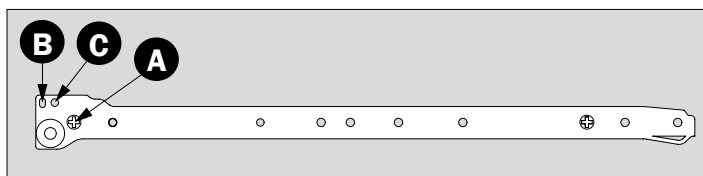


### Drawer runner installation

**NOTE:** Please refer to the upgrade drawer box section for 800/900/1000 applications.



### Runner adjustment



For the assembly and fitting of the chosen drawer type, please refer to the assembly sheets supplied with the drawer pack.

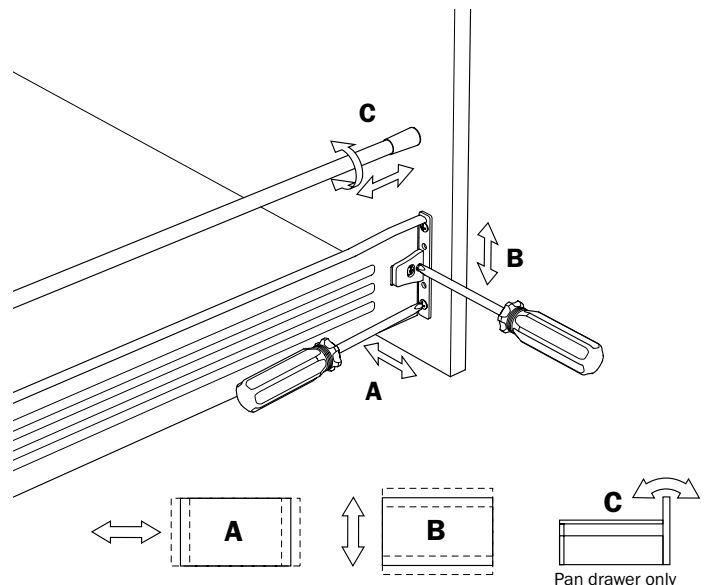
**NOTE:** Instruction shown in this section is for the standard drawer adjustment only. For further types please refer to the assembly sheet supplied with the drawer pack.

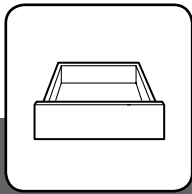
Although drawer adjustment should not be necessary, if required follow instructions below.

If when assembled the drawer fronts are not equally spaced and aligned, they will need to be adjusted. This is done by moving the front of the drawer runner up or down on either or both sides of the cabinet as follows:

- Bradawl in the centre of the front slotted hole 'B' and fix with a 12mm shallow head CSK screw (where supplied) or 13mm CSK screw.
- Take out front screw 'A'.
- Try the drawer, adjusting the runner up or down until the drawer front correctly aligns.
- Finally bradawl and fix a 12mm shallow head CSK screw (where supplied) or 13mm CSK screw into locking position 'C'. Secure screw 'B'.

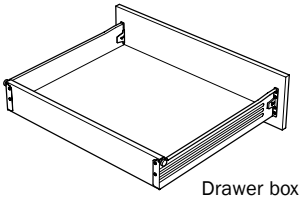
### Drawer adjustment





# Section 4 - Kitchen installation - Drawer packs

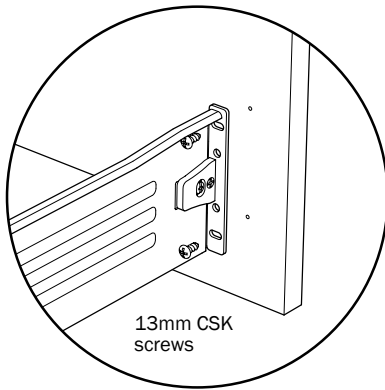
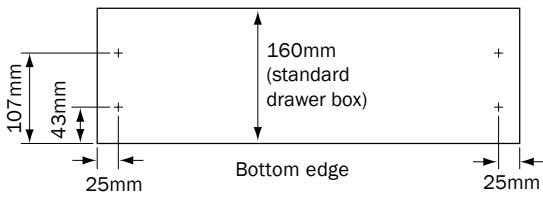
## Standard drawer box pack - HL cabinet application



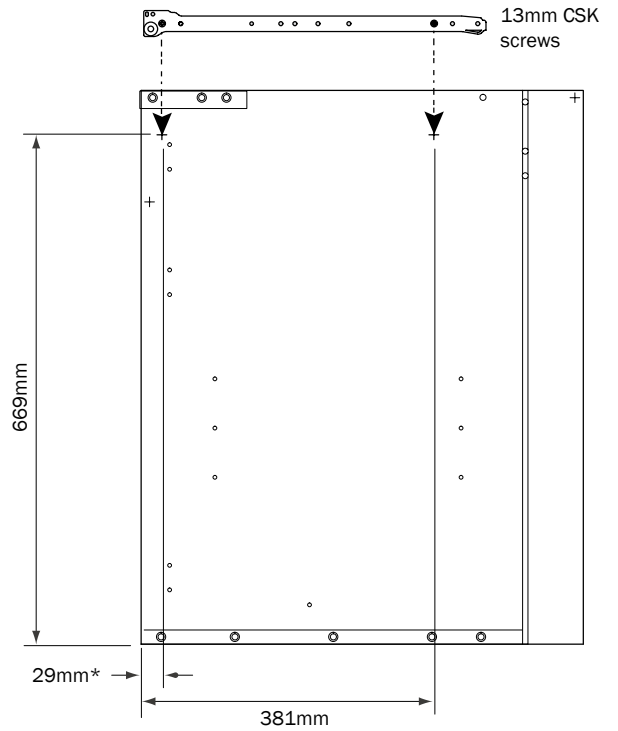
Drawer box

### Drawer fronts and side panel

Fit runners to the side panels in required locations.  
Fit drawer fronts to drawers.

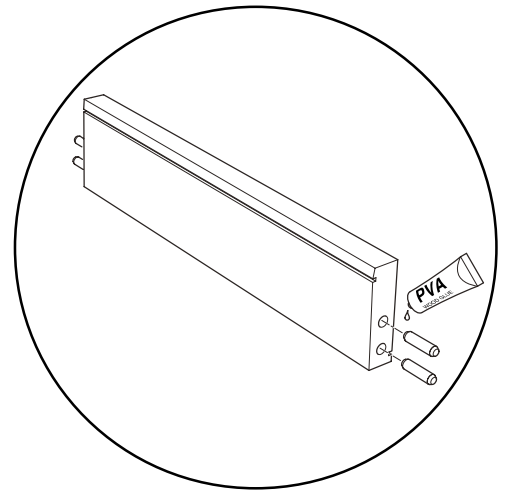
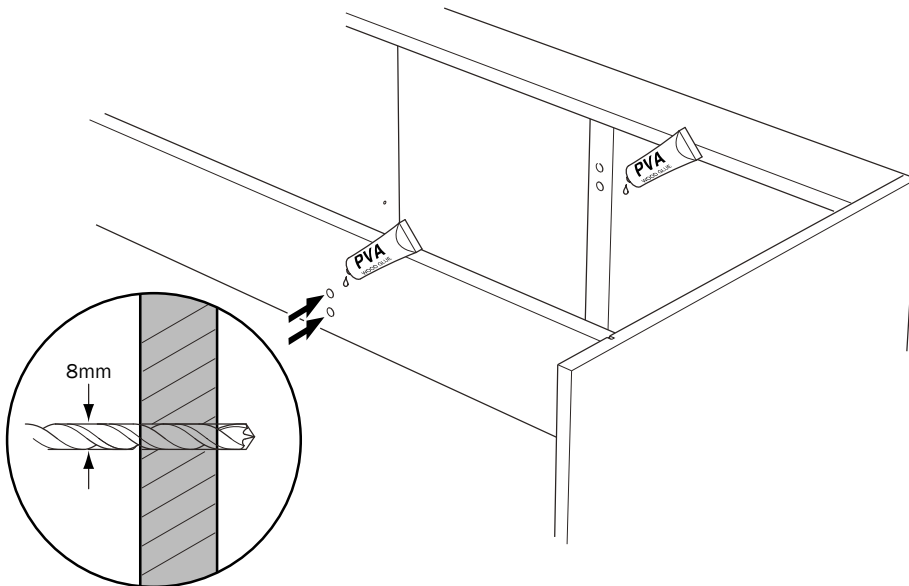


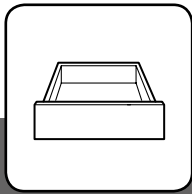
13mm CSK screws



\*27mm when spiking on centre upright.

### 800/1000 Drawer application

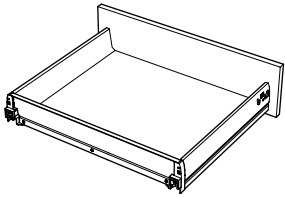




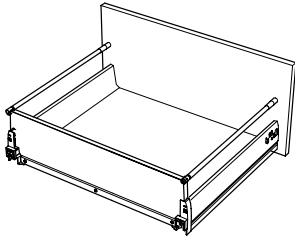
## Section 4 - Kitchen installation - Drawer packs

# Upgrade drawer box pack - Soft close and non-soft close

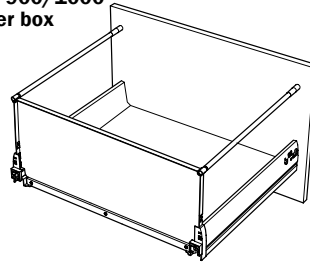
Drawer box



500 Pan drawer box



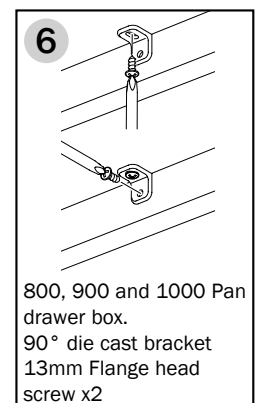
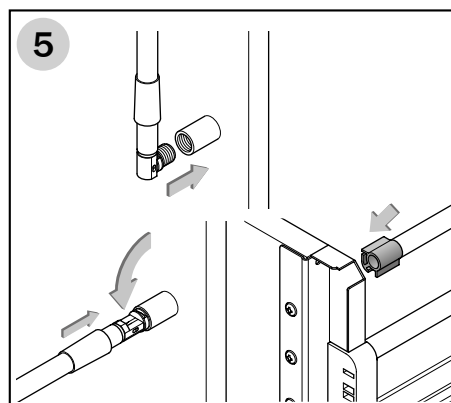
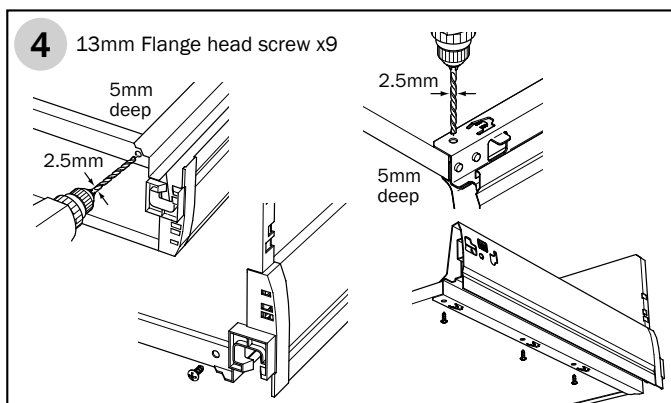
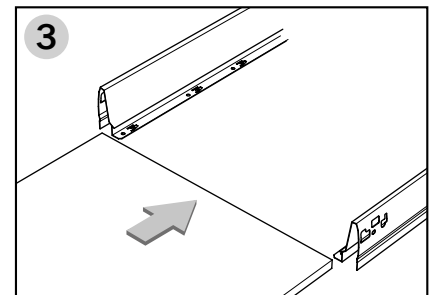
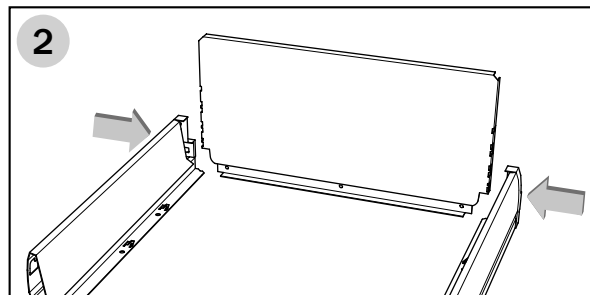
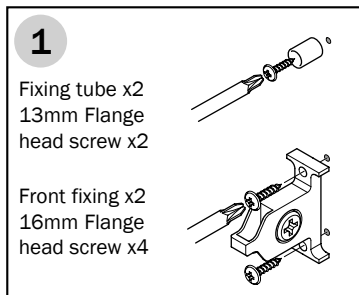
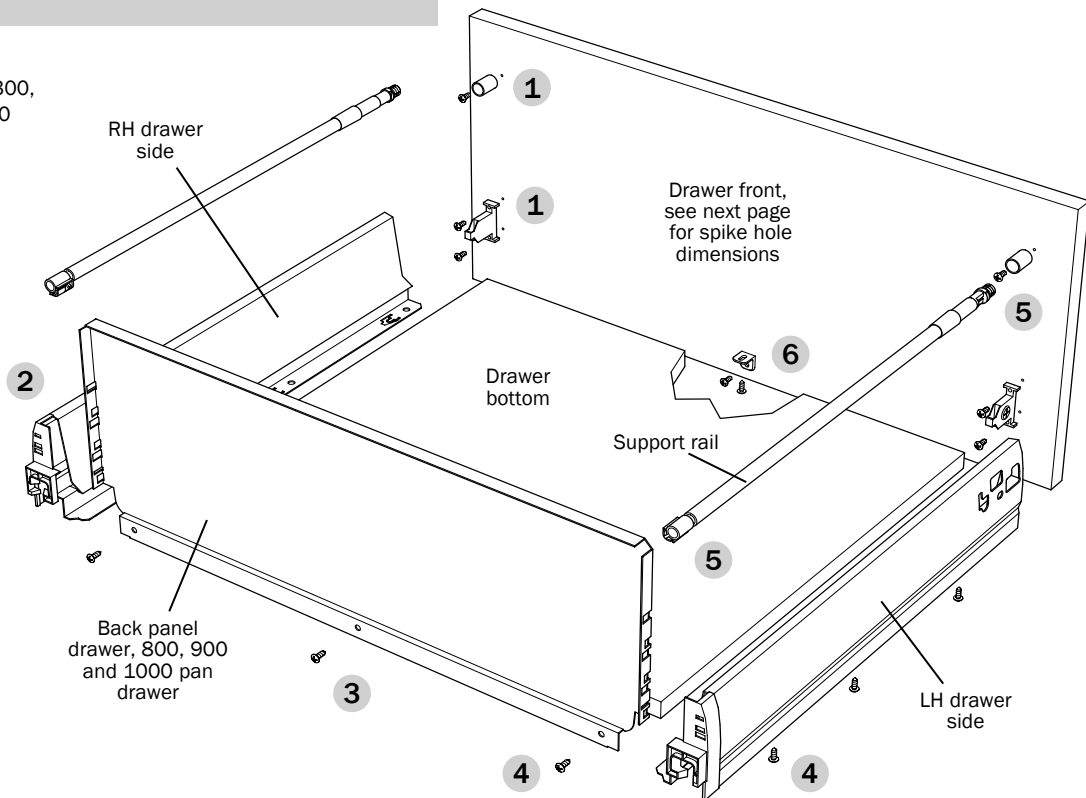
300/800/900/1000 Pan drawer box

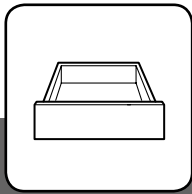


**NOTE:** Drawer box back panels will vary in height depending on the drawer box chosen.

## Assembly

Generic pan drawer box illustrated, drawer box, 300, 500, 800, 900 and 1000 pan drawer box similar.

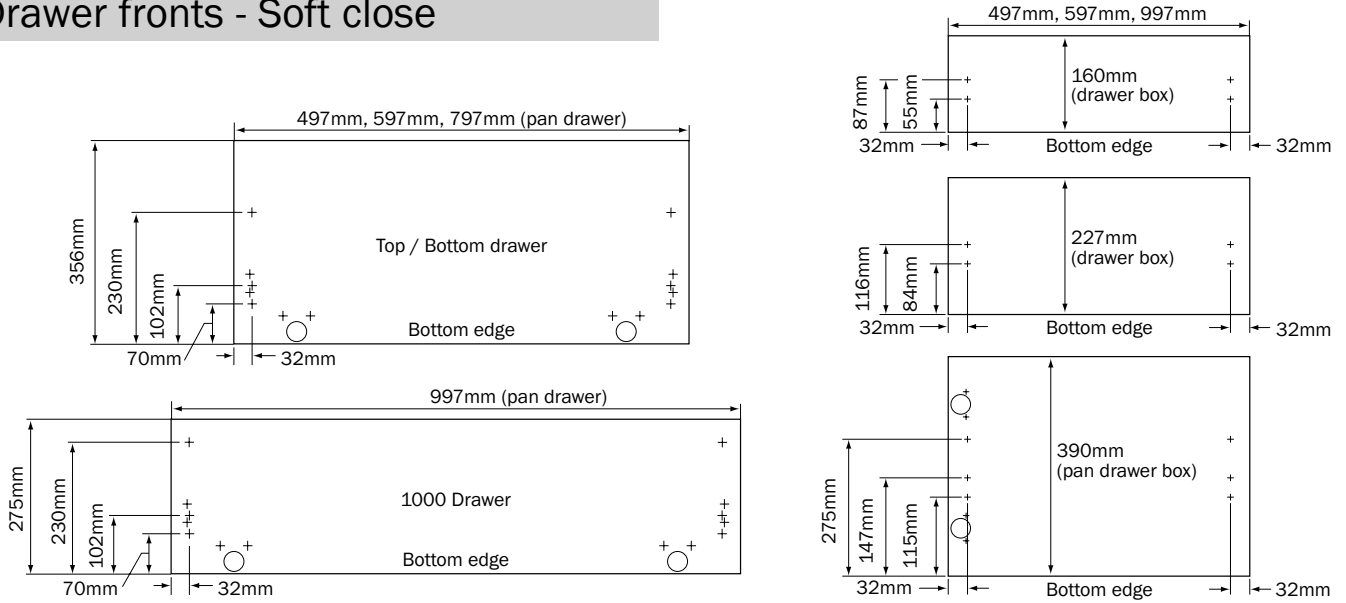




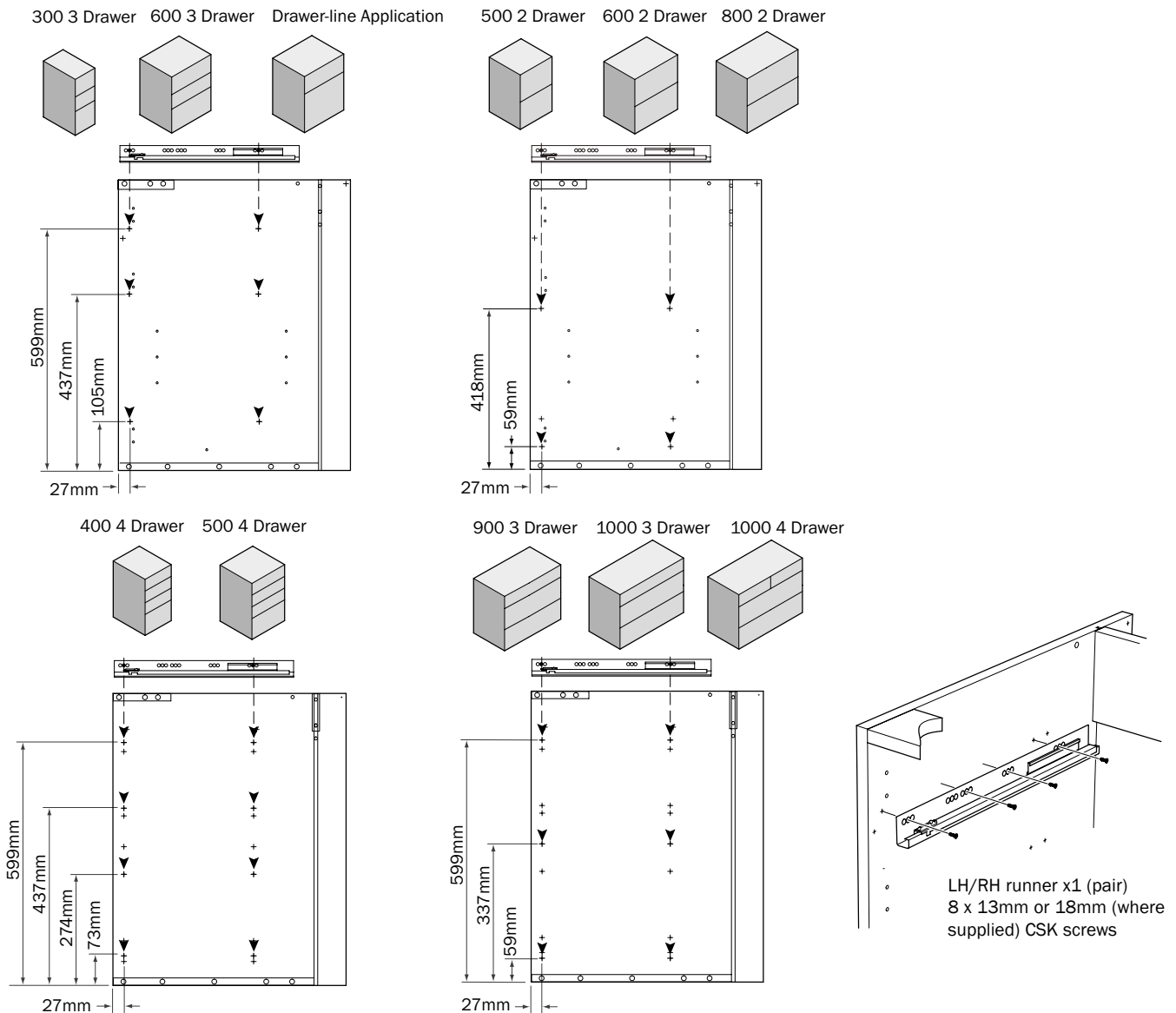
# Section 4 - Kitchen installation - Drawer packs

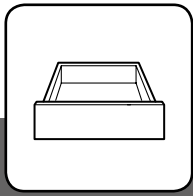
## Upgrade drawer box pack - Soft close and non-soft close

### Drawer fronts - Soft close



### Drawer runner installation - Soft close upgrade

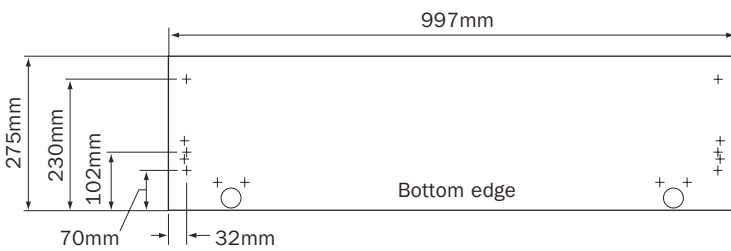
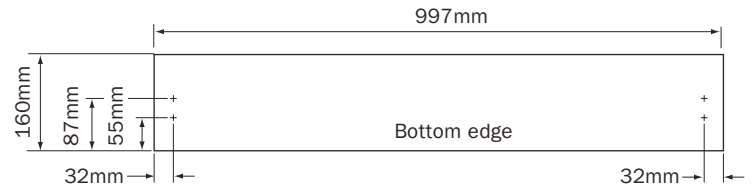
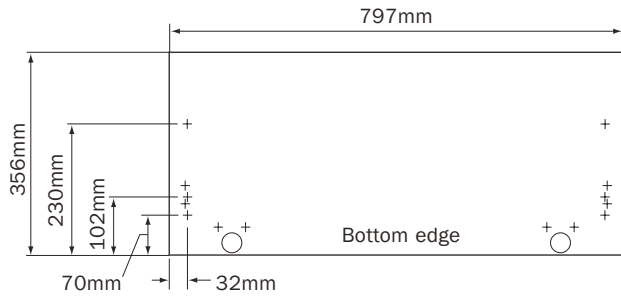




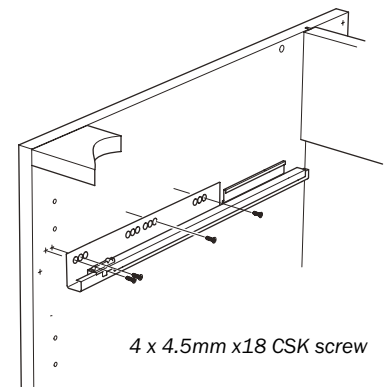
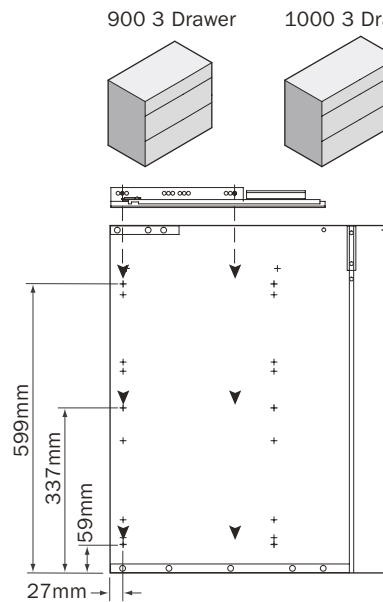
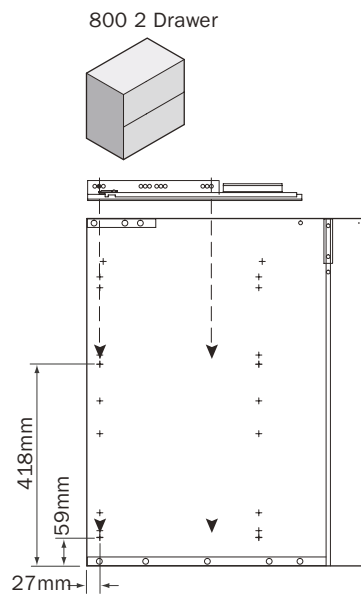
## Section 4 - Kitchen installation - Drawer packs

# Upgrade drawer box pack - Non-soft close

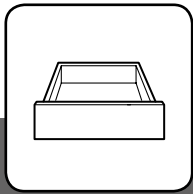
### Drawer fronts - Non-soft close



### Drawer runner installation - Non-soft close

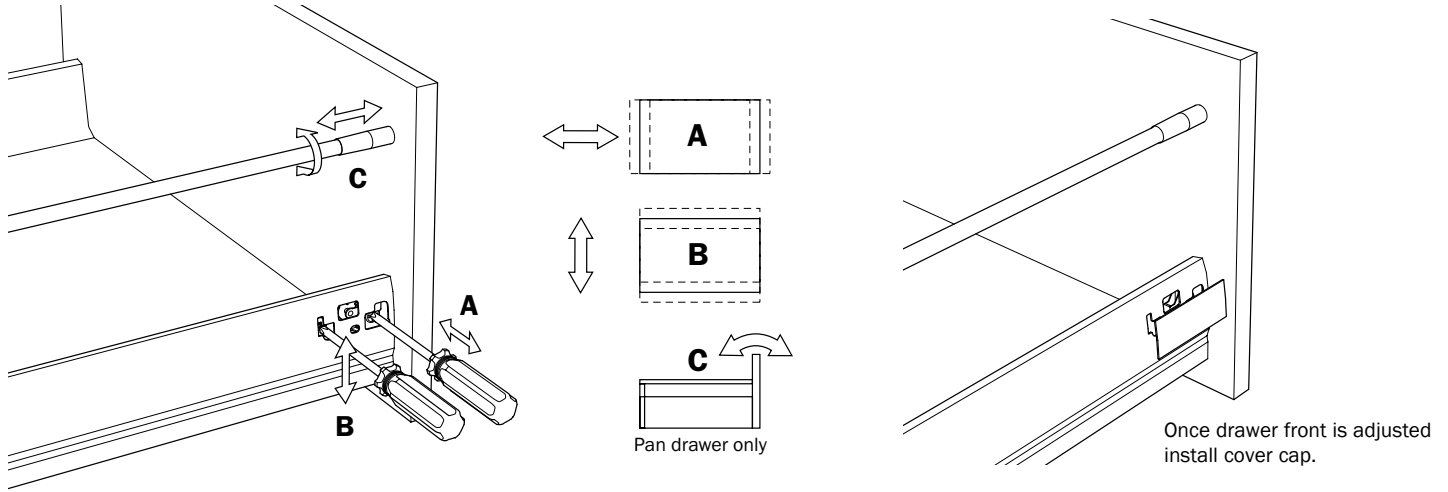


**NOTE:** The soft close adaptor kit is not compatible with the upgrade drawer kit.

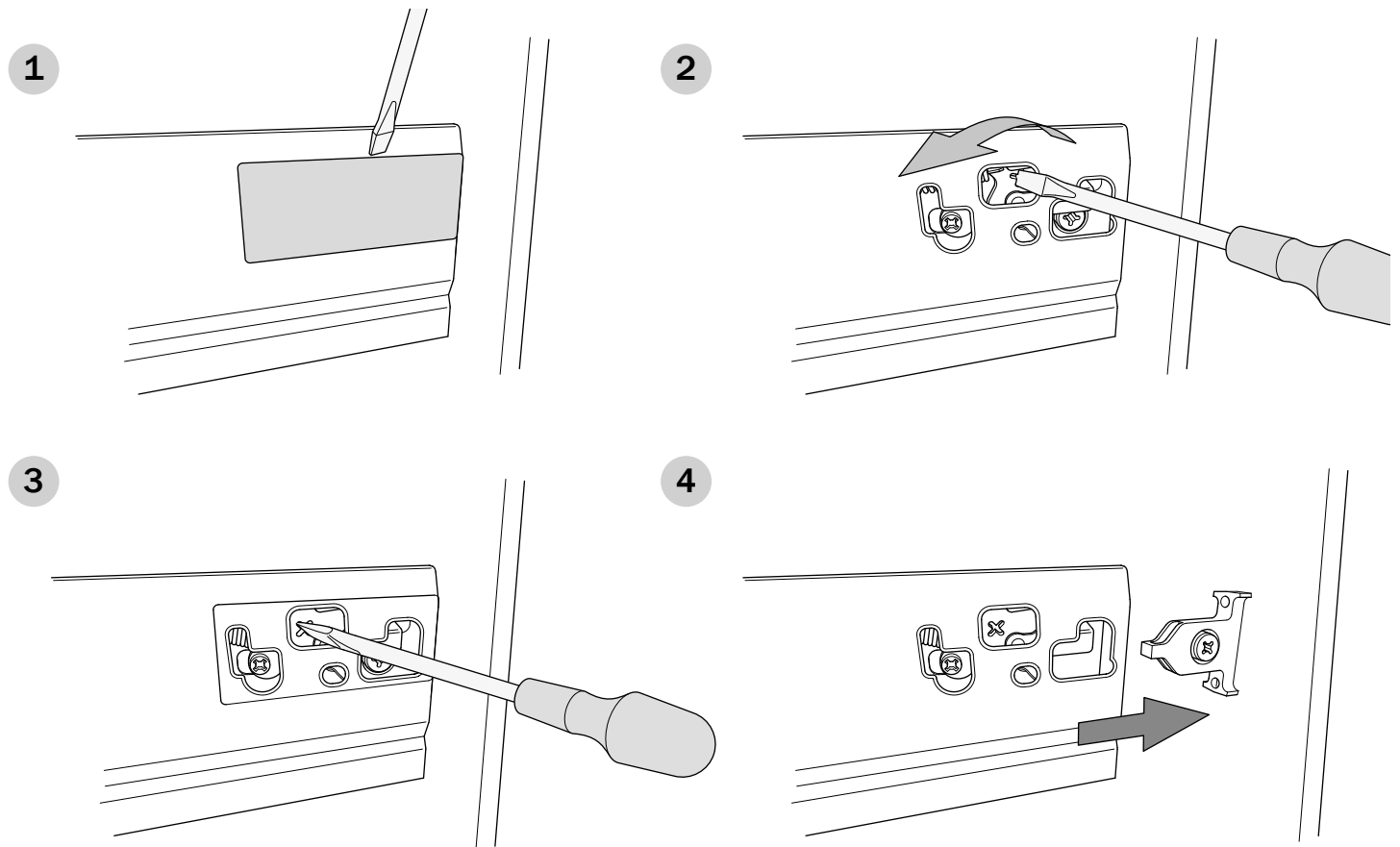


# Upgrade drawer box pack - Soft close

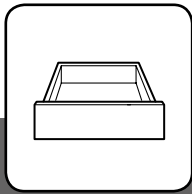
## Drawer adjustment



## Drawer front removal





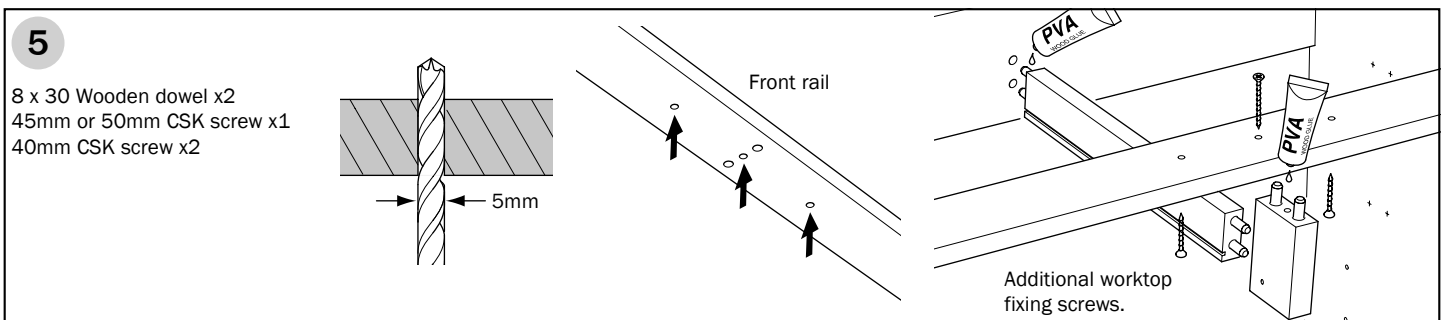
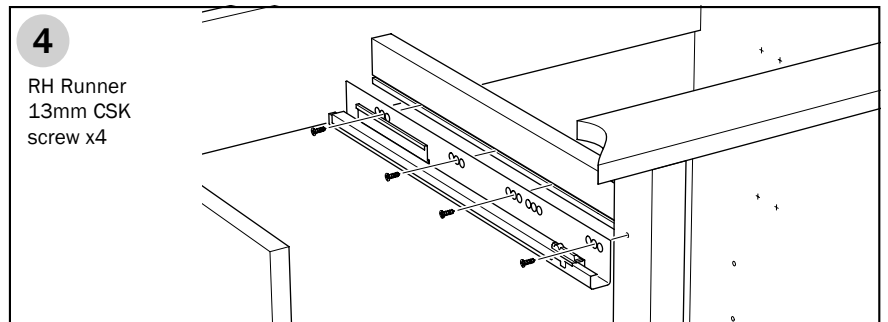
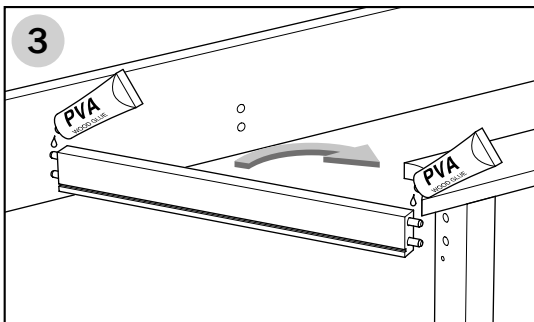
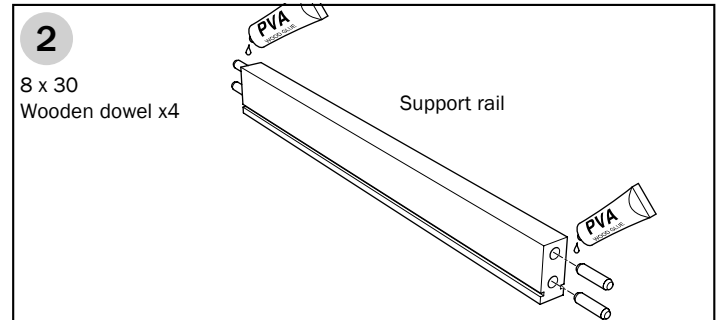
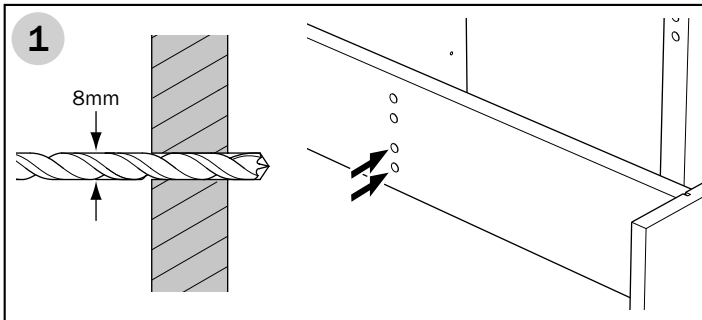
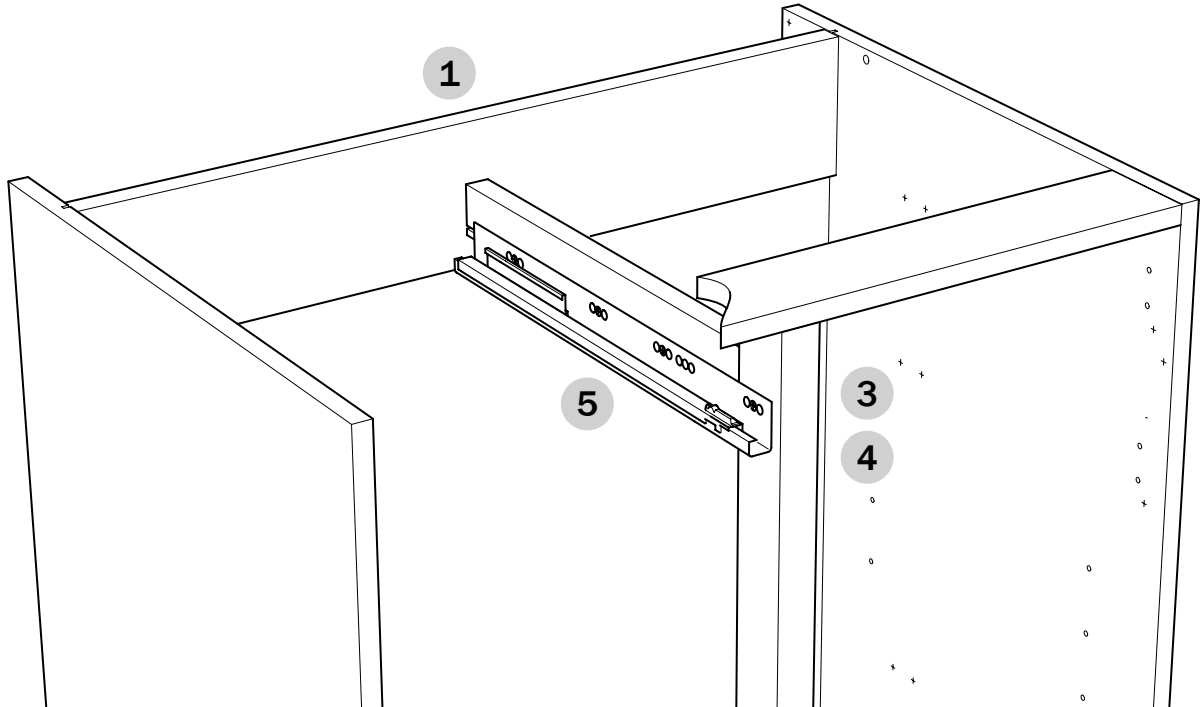


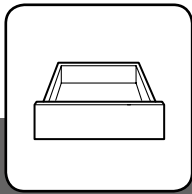
# Section 4 - Kitchen installation - Drawer packs

## Upgrade drawer box pack - Soft close

800/900/1000 Drawer-line

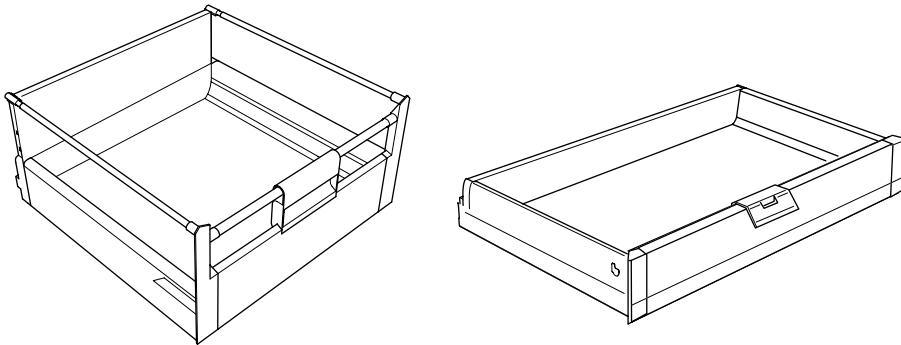
Not applicable for 1000 3 drawer cabinet.





# Section 4 - Kitchen installation - Drawer packs

## Internal drawers



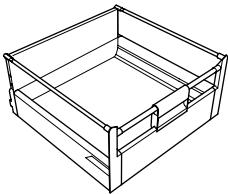
### IMPORTANT NOTES:

This covers the drawer assembly, installation and application examples for deep and shallow drawers

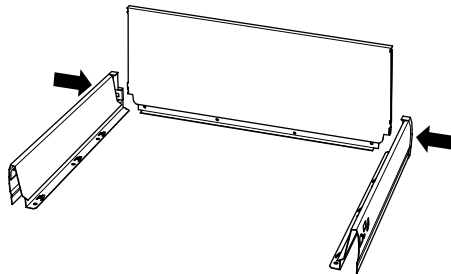
**NOTE:** Product should be fitted as per fitting instructions due to tight tolerances.

### Assembly

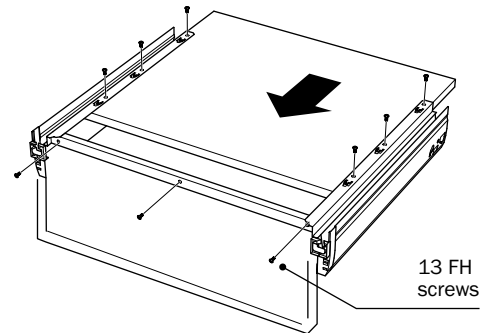
#### Deep drawer box



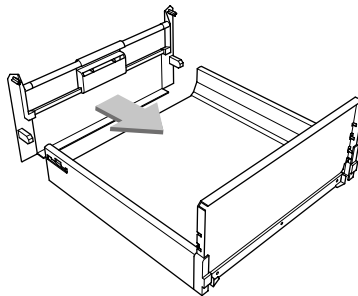
**1** Assemble drawer box back and sides.



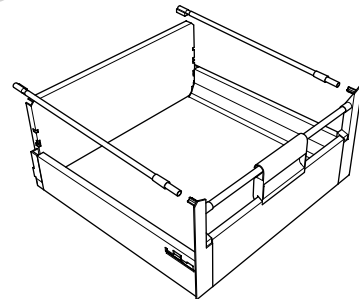
**2** Fit base and secure with screws.



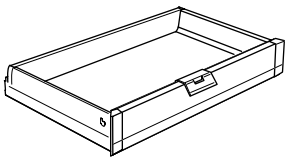
**3** Push fit front onto drawer sides.



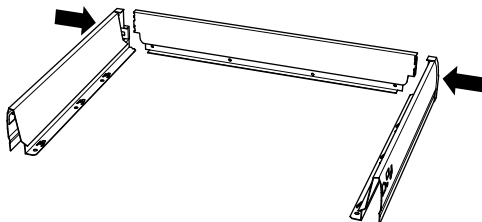
**4** Screw fit rails into position.



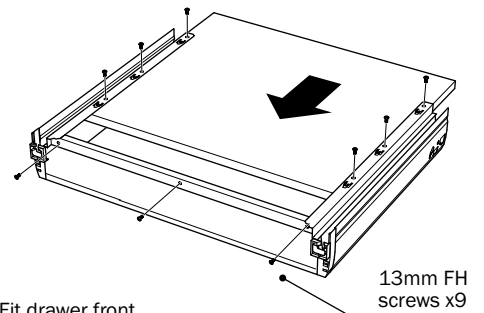
#### Shallow drawer box



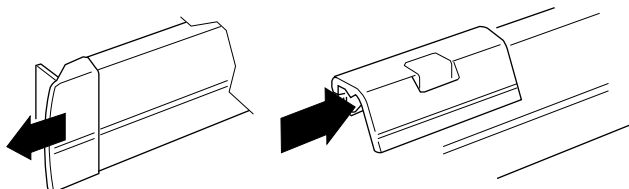
**1** Assemble drawer box back and sides.



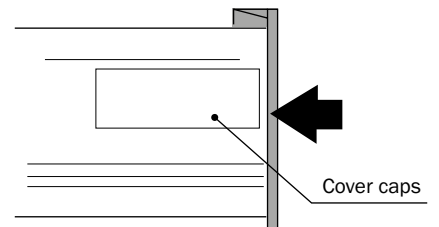
**2** Fit base and secure with screws.

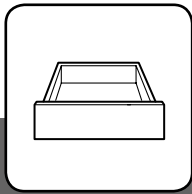


**3** Remove one end cap from the drawer front by removing screws and fit handle. Replace end cap once fitted.



**4** Fit drawer front.





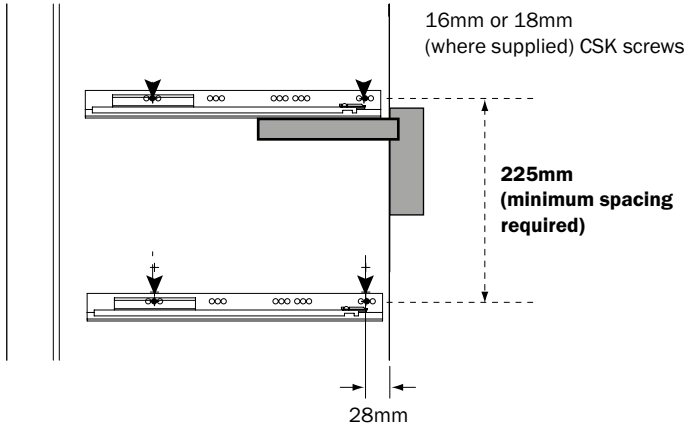
# Section 4 - Kitchen installation - Drawer packs

## Internal drawers

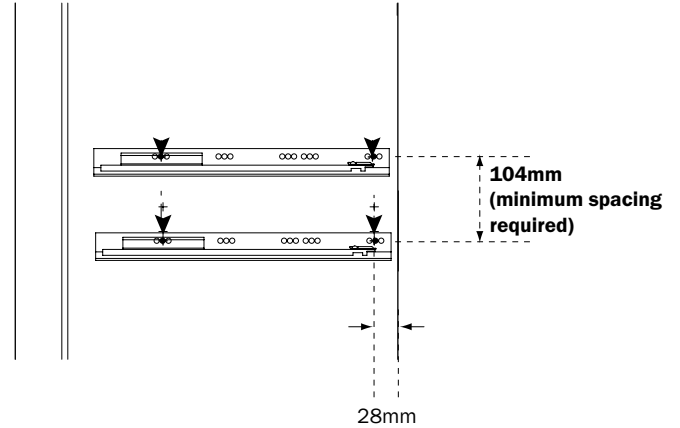
### Installation and application

**NOTE:** Drawers are only suitable for use in cabinets when used in conjunction with 155° hinges.

#### Deep drawer spacing



#### Shallow drawer spacing

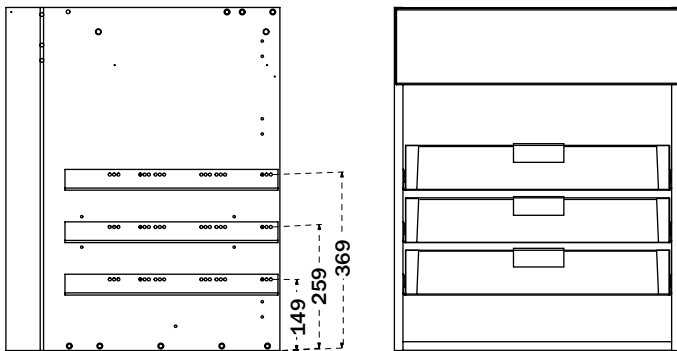


#### Application examples

Drawers can be fitted in multiple combinations in the 600mm base units. Shown below are just some of the combinations which can be fitted.

**NOTE:** Drawers will need to be fitted around hinge positions.

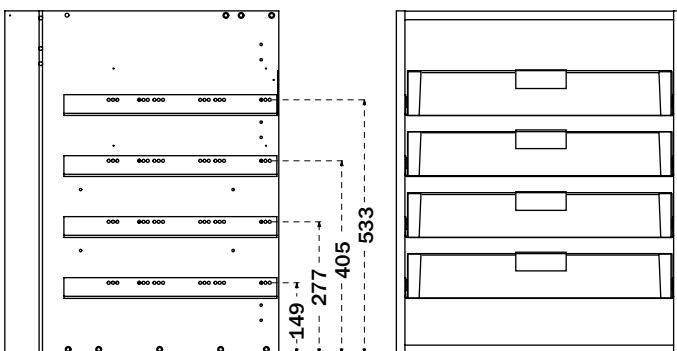
#### DL - STD drawer



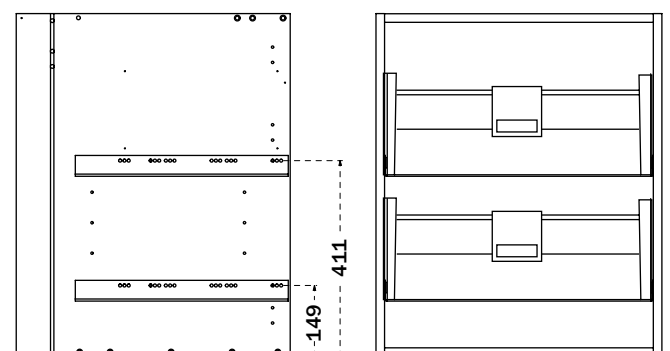
#### DL - Deep drawer

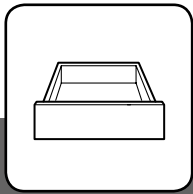


#### HL - STD drawer



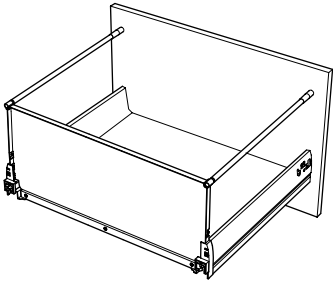
#### HL - Deep drawer





## Section 4 - Kitchen installation - Drawer packs

# Pan drawer front fixing

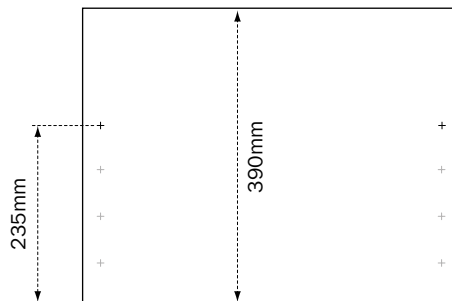


The spike position for the gallery rail will need to be marked on the back of the drawer front. Follow the diagrams below for the correct spike positions.

### Standard box

**NOTE:** Only new spike dimensions shown.

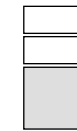
**Drawer front  
for STANDARD drawer box**



**Bottom edge**

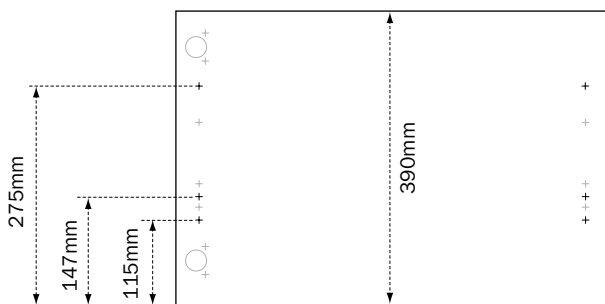
### Upgrade box

**NOTE:** Cabinet sides and gallery rail require new spike positions for upgrade drawer boxes.

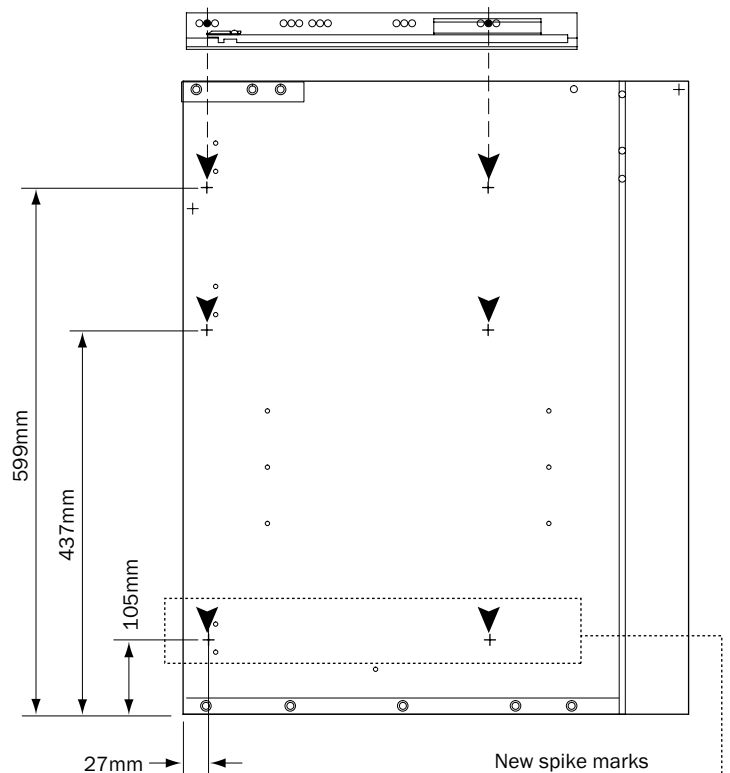


300mm

**Drawer front  
for UPGRADE drawer box**



**Bottom edge**

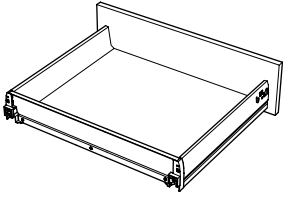




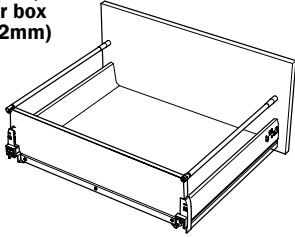
# Section 4 - Kitchen installation - Drawer packs

## Upgrade drawer box for profile system

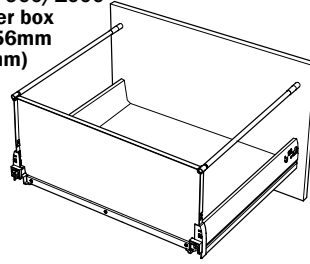
Drawer box  
(height 170mm)



300/400/500/600/  
700/800, 900/1000  
Pan drawer box  
(height 342mm)



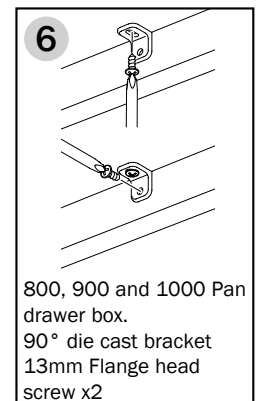
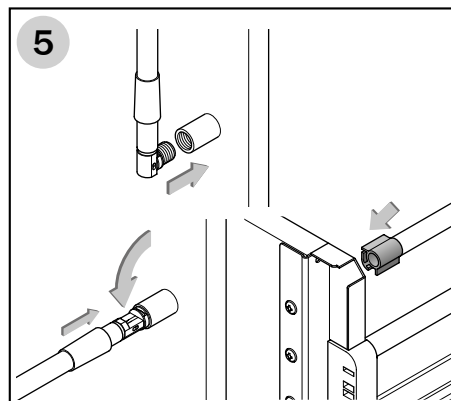
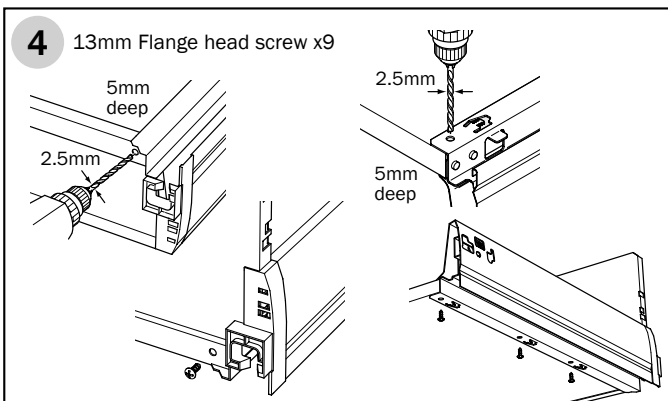
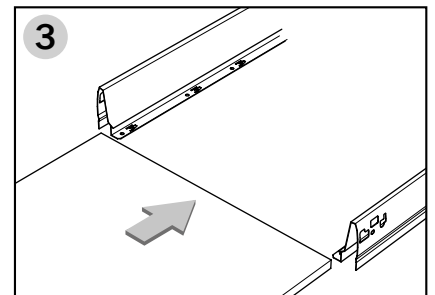
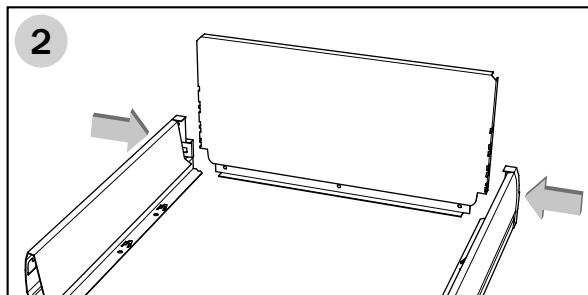
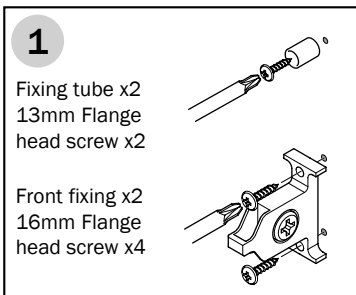
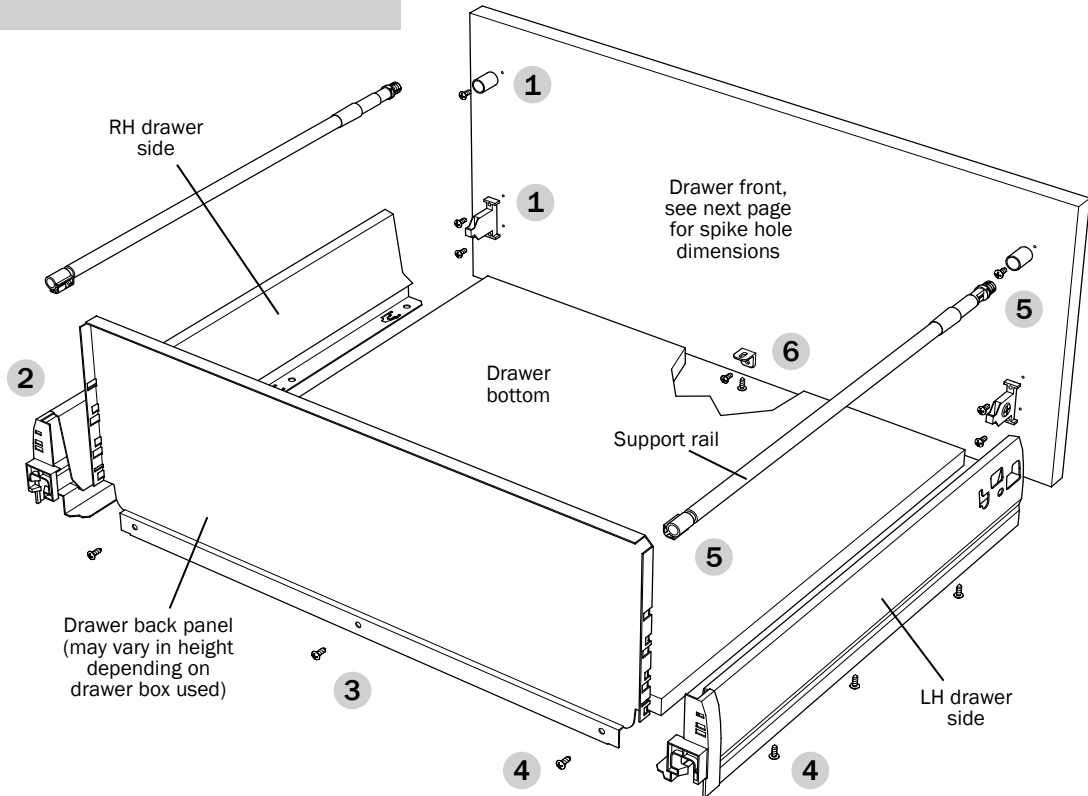
300/800/900/1000  
Pan drawer box  
(height 356mm  
and 390mm)



**NOTE:** Drawer box back panels will vary in height depending on the drawer box chosen.

### Assembly

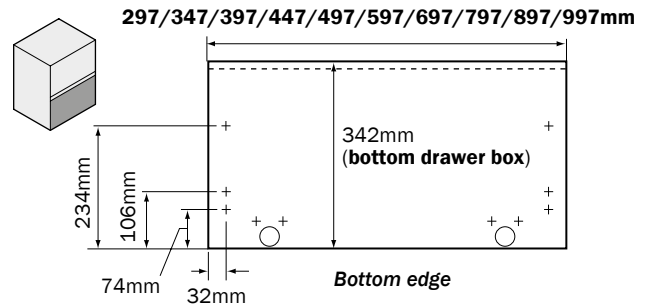
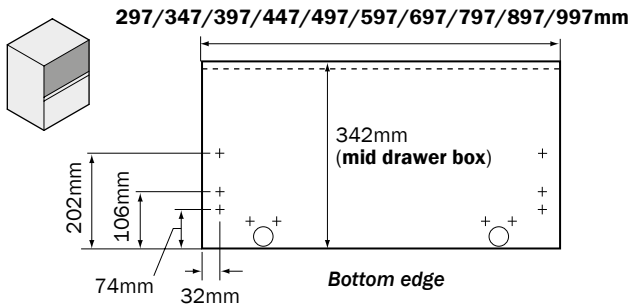
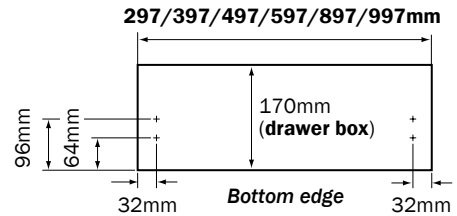
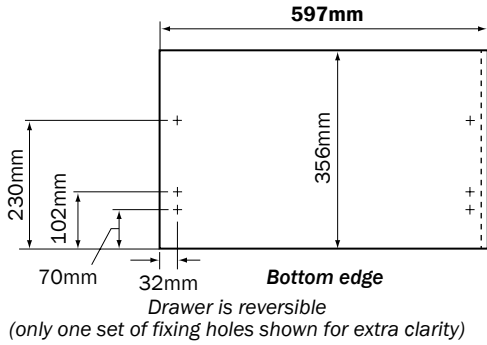
Generic pan drawer box illustrated, drawer box, 300, 500, 800, 900 and 1000 pan drawer box similar.



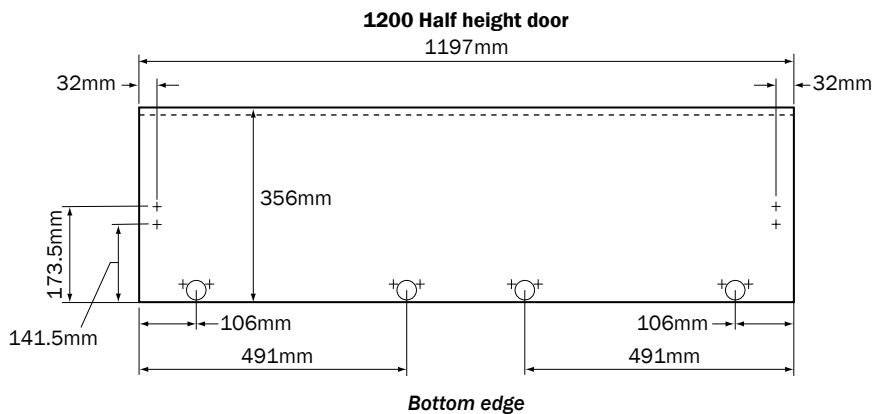
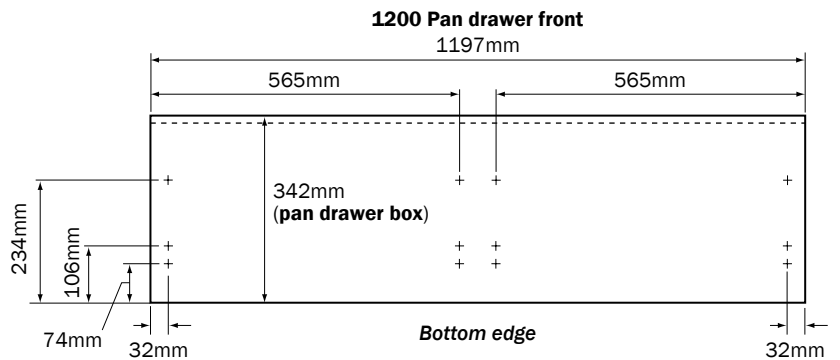
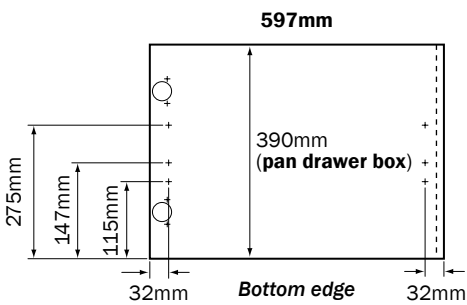


# Upgrade drawer box for profile system

## Drawer fronts



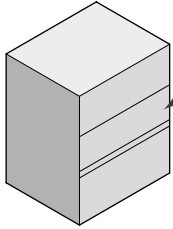
**NOTE:** The mid drawer gallery rail spike position is lower than the bottom drawer.



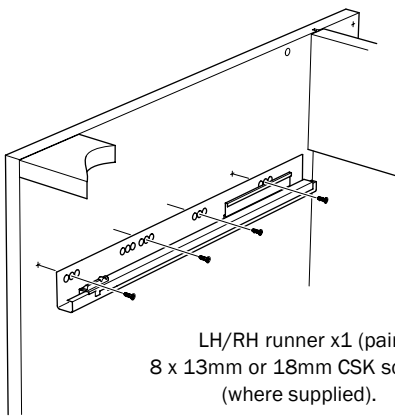
# Upgrade drawer box for profile system

## Drawer runner installation

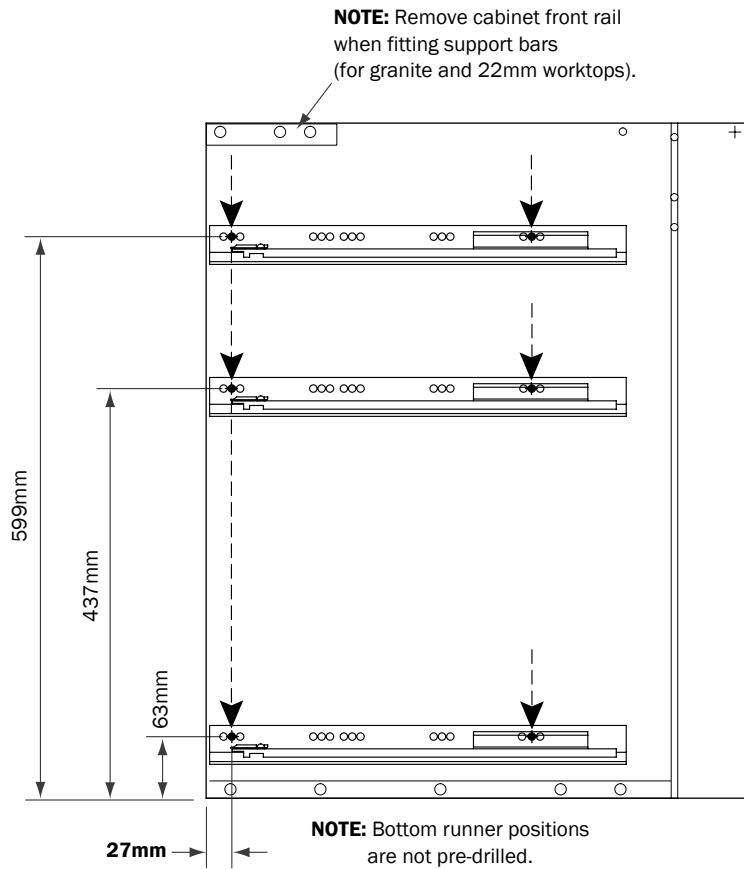
### 3 Drawer



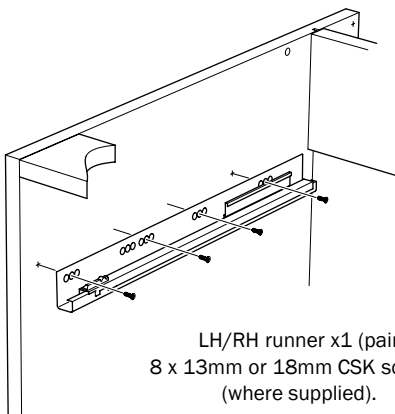
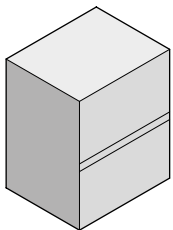
Middle drawer frontal should have the profile along the bottom edge, (turn drawer frontal 180°).



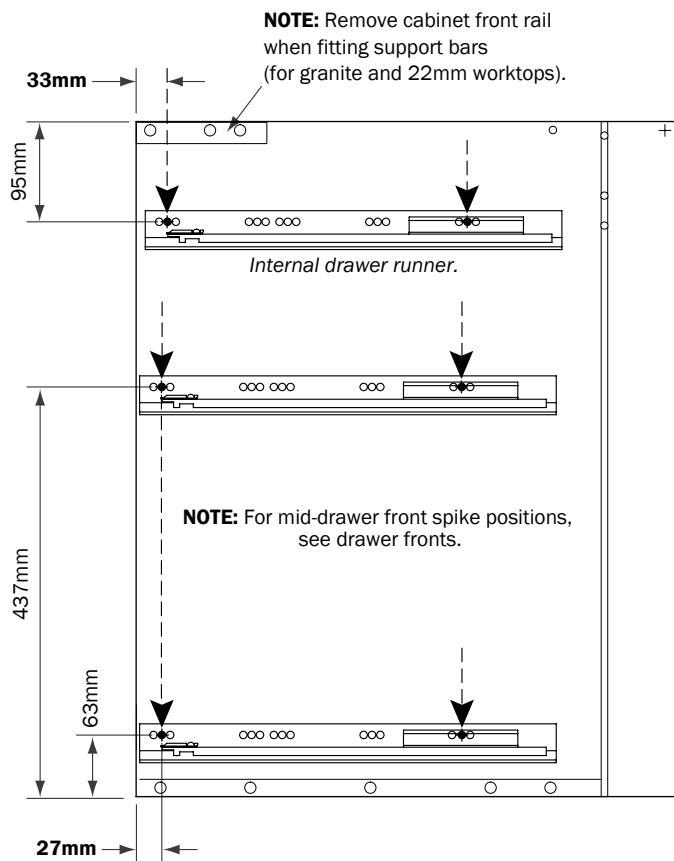
LH/RH runner x1 (pair)  
8 x 13mm or 18mm CSK screws,  
(where supplied).



### 2 Drawer

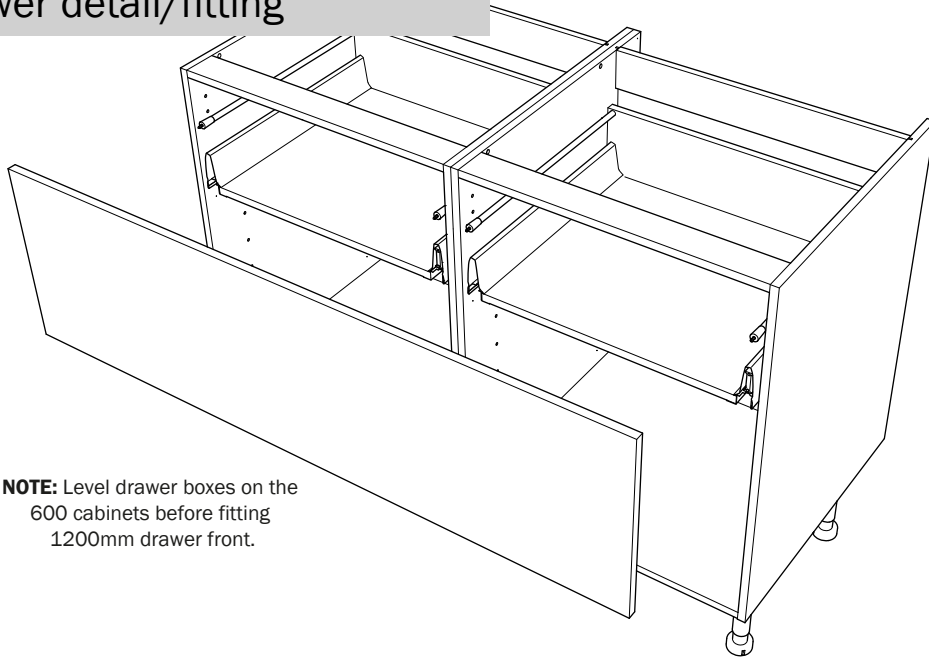


LH/RH runner x1 (pair)  
8 x 13mm or 18mm CSK screws,  
(where supplied).



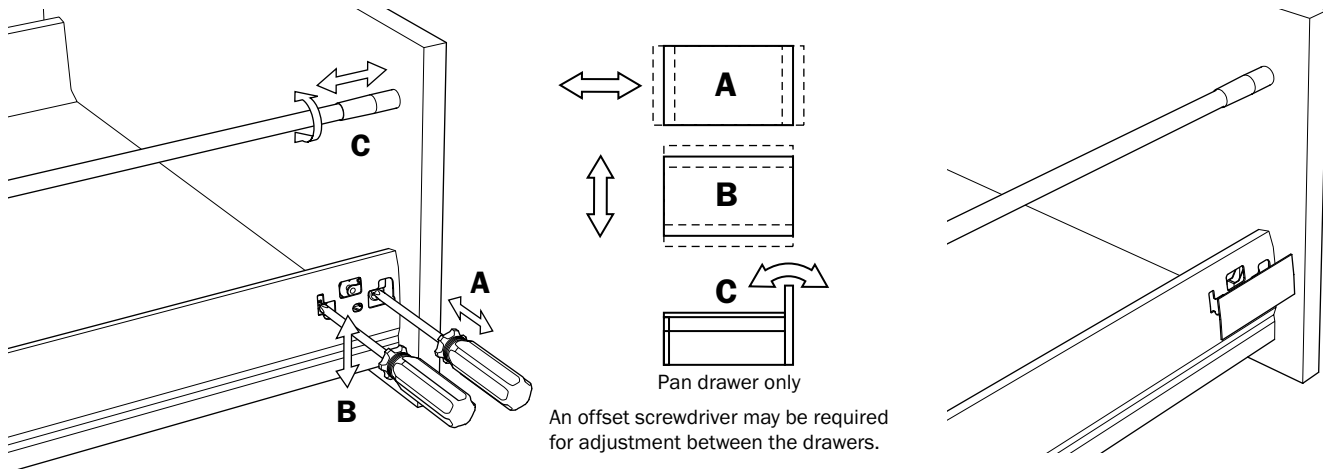
# Upgrade drawer box for profile system

## 1200 drawer detail/fitting

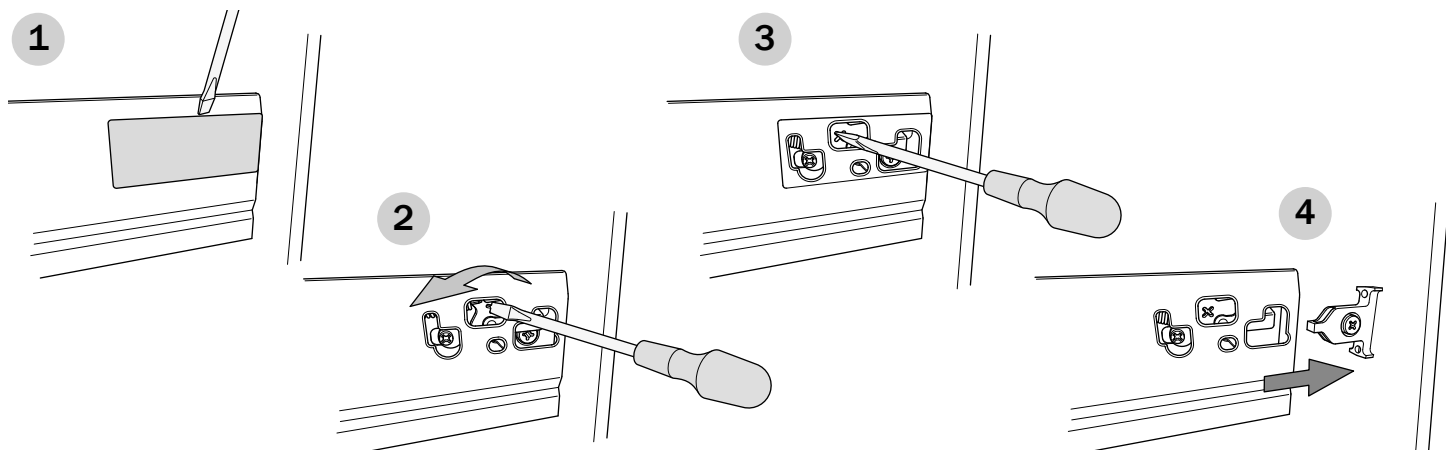


**NOTE:** Level drawer boxes on the 600 cabinets before fitting 1200mm drawer front.

## Drawer adjustment



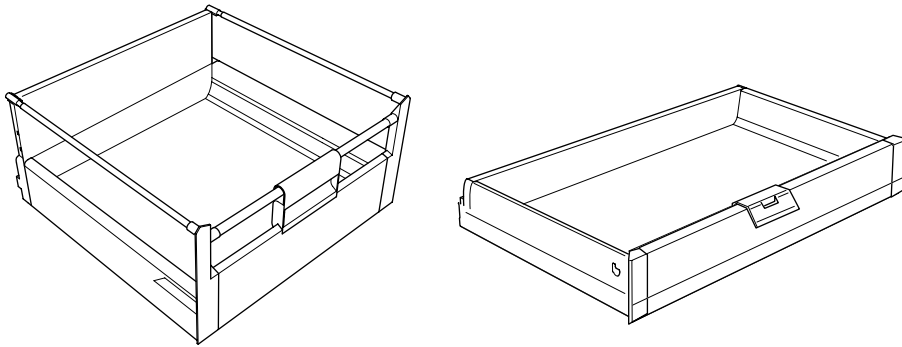
## Drawer front removal







# Internal drawers for profile system



**IMPORTANT NOTES:**

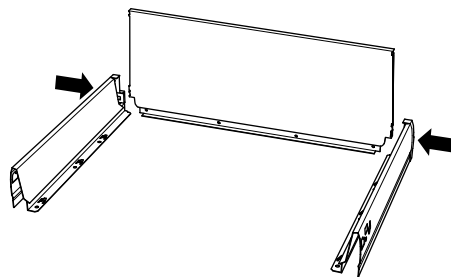
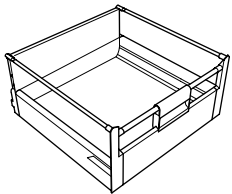
This covers the drawer assembly, installation and application examples for deep and shallow drawers

## Assembly

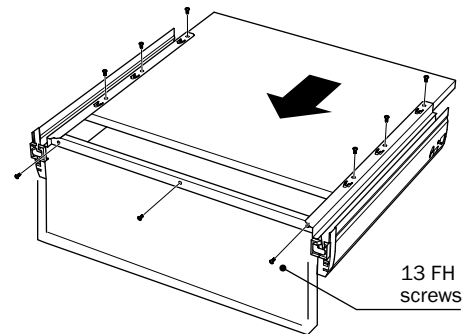
**NOTE:** Product should be fitted as per fitting instructions due to tight tolerances.

### Deep drawer box

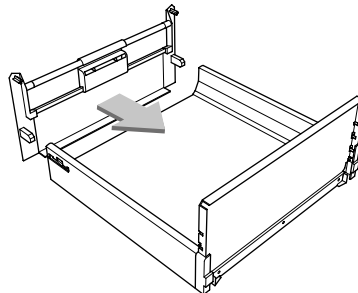
**1** Assemble drawer box back and sides.



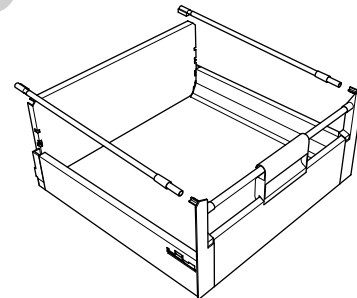
**2** Fit base and secure with screws.



**3** Push fit front onto drawer sides.

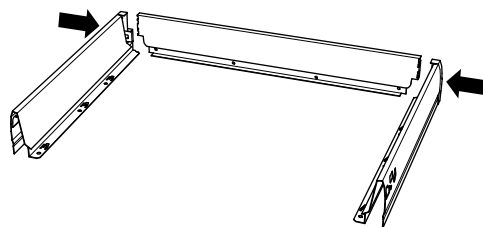
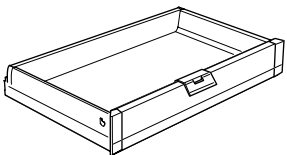


**4** Screw fit rails into position.

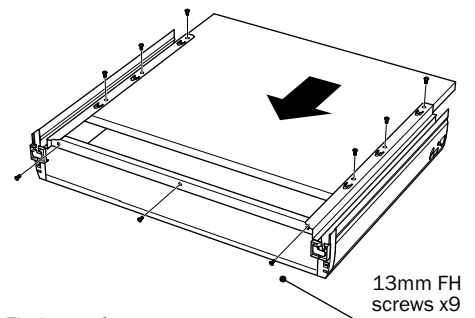


### Shallow drawer box

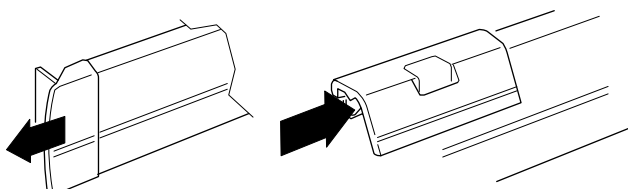
**1** Assemble drawer box back and sides.



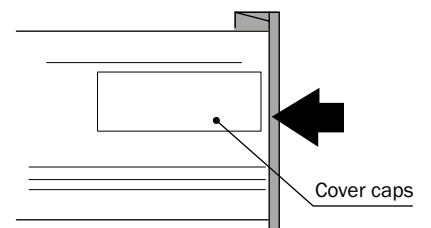
**2** Fit base and secure with screws.

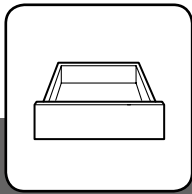


**3** Remove one end cap from the drawer front by removing screws and fit handle. Replace end cap once fitted.



**4** Fit drawer front.





# Section 4 - Kitchen installation - Drawer packs

## Internal drawers

### Installation and application

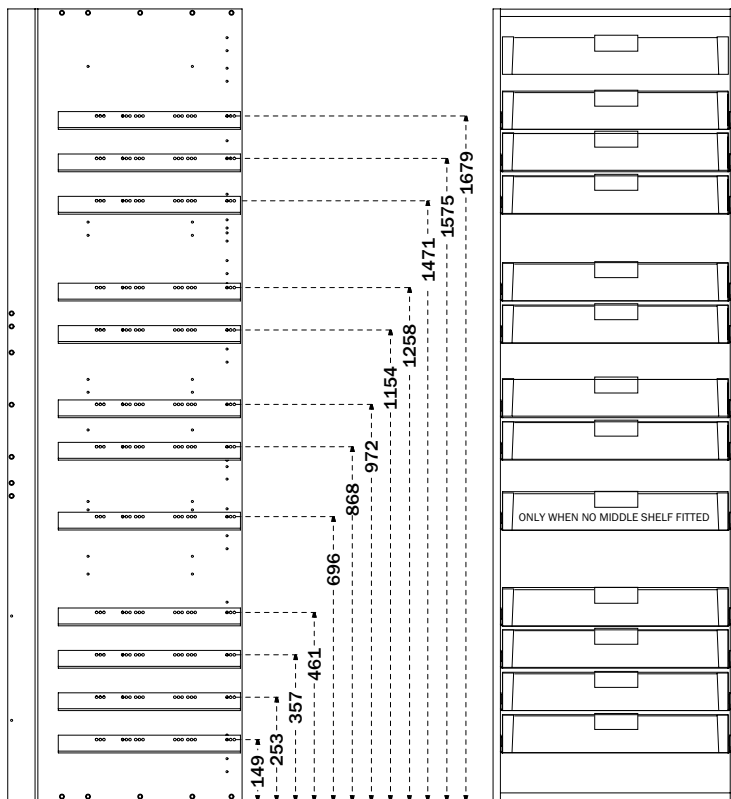
**NOTE:** Drawers are only suitable for use in cabinets when used in conjunction with 155° hinges.

#### Application examples

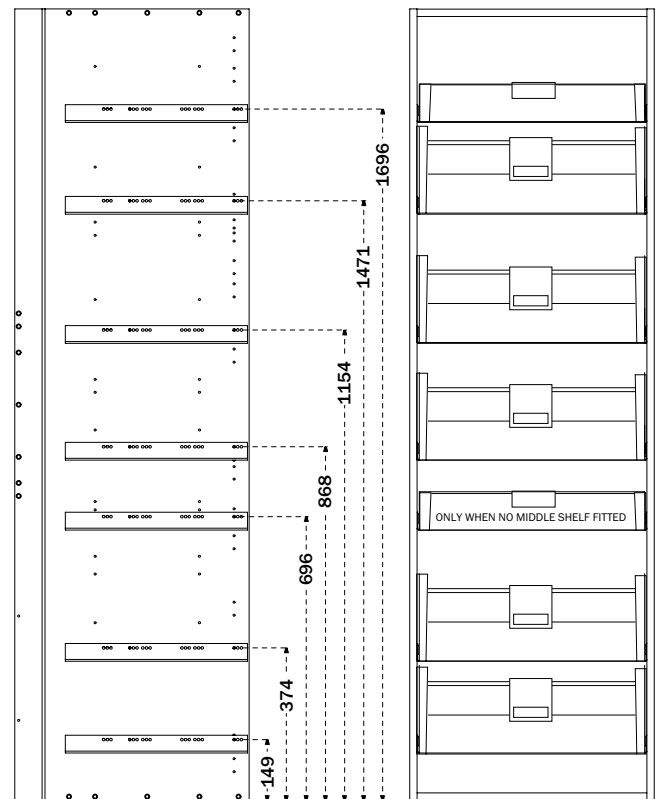
Drawers can be fitted in multiple combinations in the 600mm appliance tower units. Shown below are just some of the combinations which can be fitted.

**NOTE:** Drawers will need to be fitted around hinge positions.

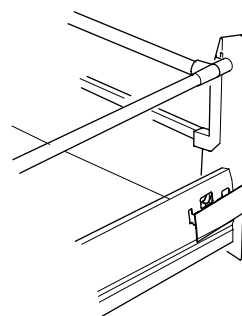
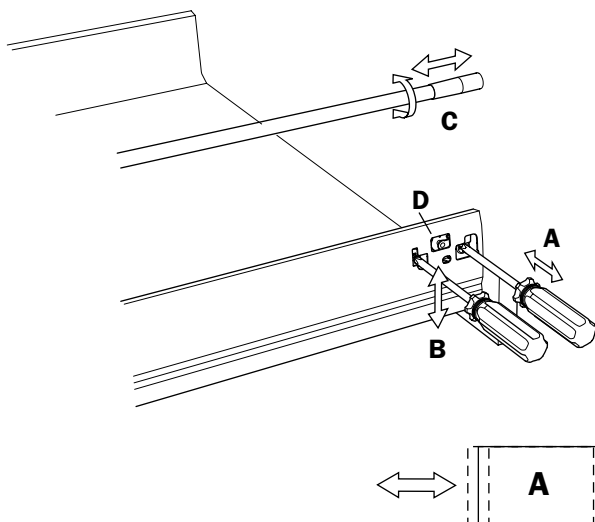
#### Tower internal drawers - STD drawer



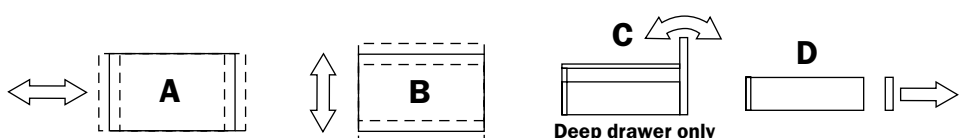
#### Tower internal drawers - deep drawer

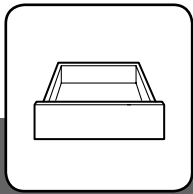


### Assembly



Once drawer front is adjusted install cover cap.





# Section 4 - Kitchen installation - Drawer packs

## Internal drawers

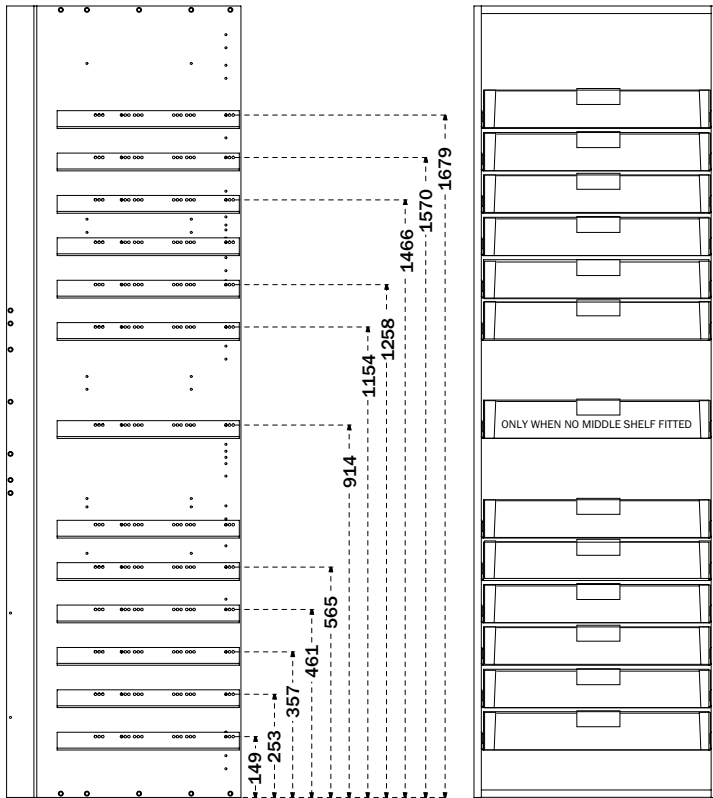
### Installation and application

**NOTE:** Drawers are only suitable for use in cabinets when used in conjunction with 155° hinges.

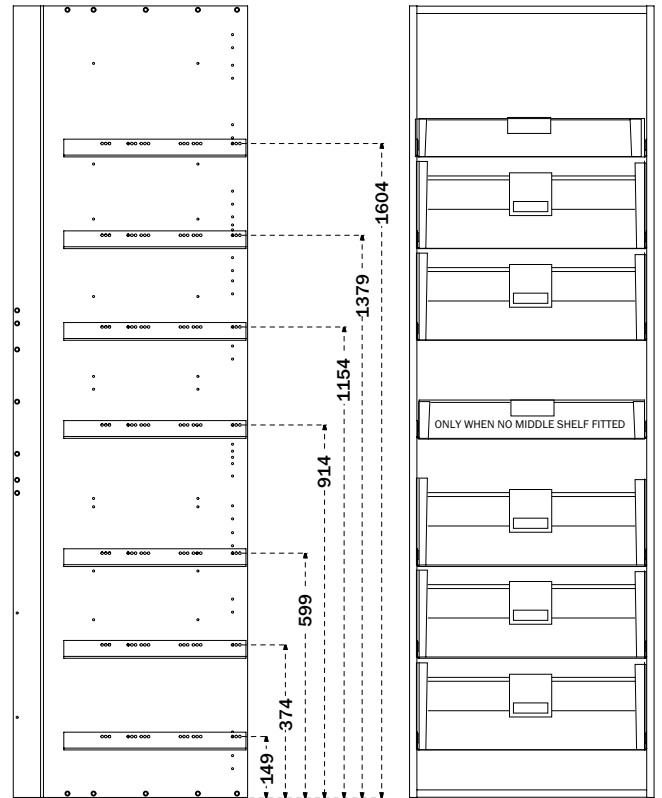
#### Application examples

Drawers can be fitted in multiple combinations in the 600mm appliance tower units. Shown below are just some of the combinations which can be fitted.

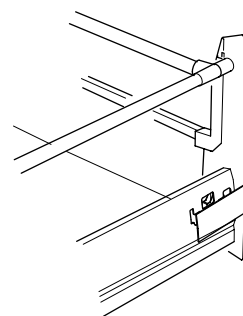
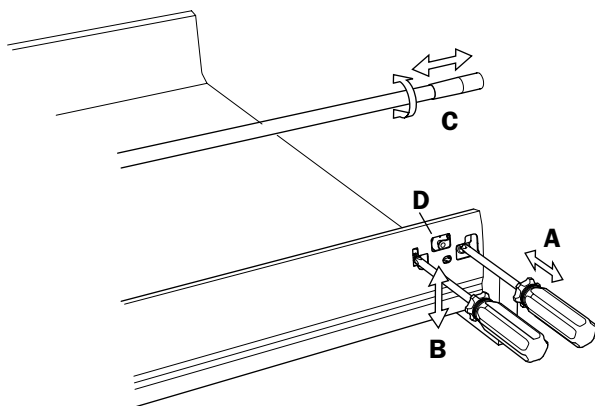
#### Tower internal drawers - STD drawer



#### Tower internal drawers - deep drawer

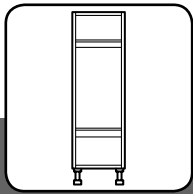


### Assembly



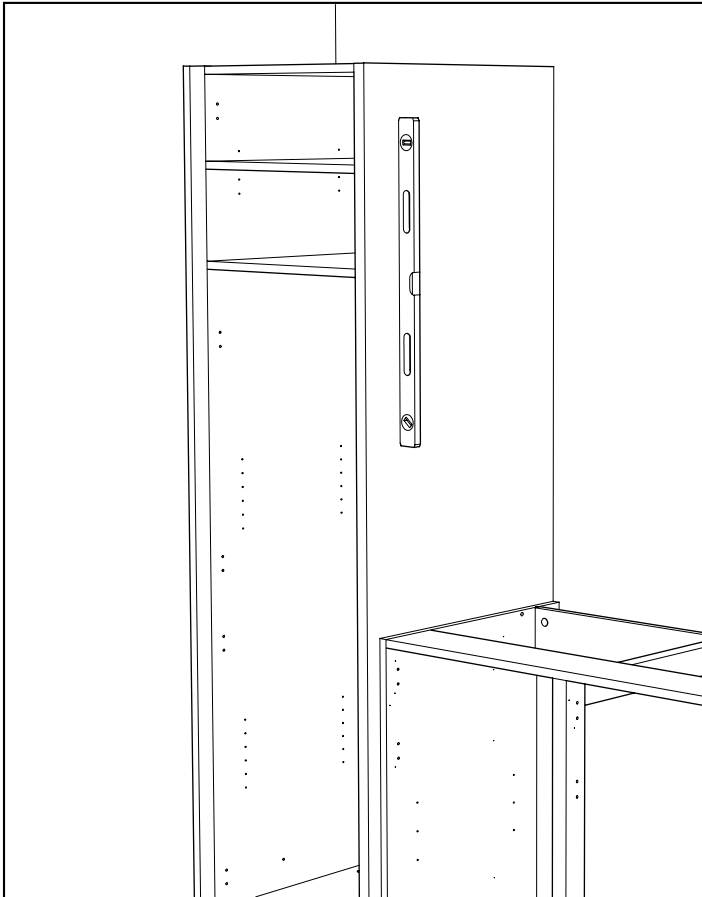
Once drawer front is adjusted install cover cap.





## Section 4 - Kitchen installation - Tower cabinets

# Fixing to wall and connecting



### Larder

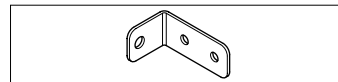
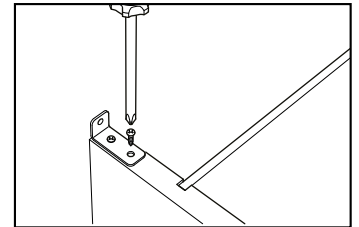
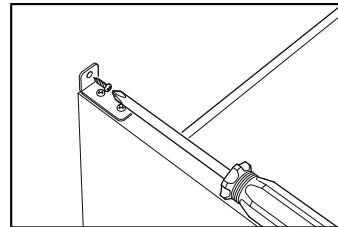
Place the first tower cabinet in position and level to bring it into line with the other cabinets. Fasten the right angled brackets to top of cabinet with 4x12mm pan head screws or 16mm flange head screws.

**NOTE:** Fit a 180mm top box to the larder tower cabinet to make it an extra tall tower, see **page 125** for fixing.

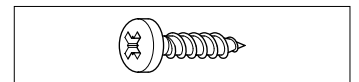
**NOTE:** If you have purchased cornice for the kitchen, do not secure the right angled bracket to the exposed side of the tower cabinet but secure to the cornice after fitting.

Mark, drill and plug the wall, see **page 33** and secure. Connect all tower cabinets with countersunk screws.

Where two tower cabinets fit side by side use 6x countersunk screws.

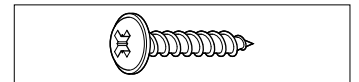


Larder bracket

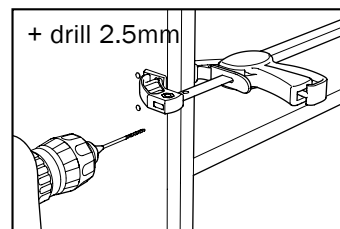
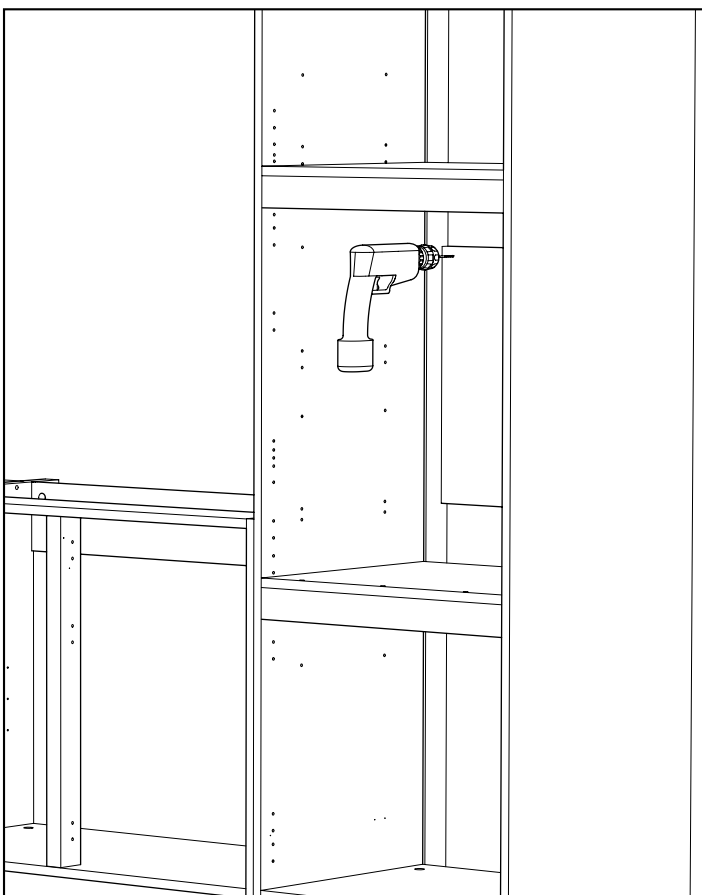


12mm Pan head screw

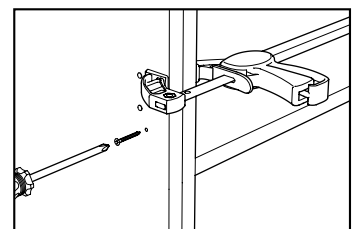
For profile kitchens, see **Section 2.**



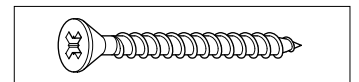
16mm Flange head screw



+ drill 2.5mm



For profile kitchens, see **Section 2.**

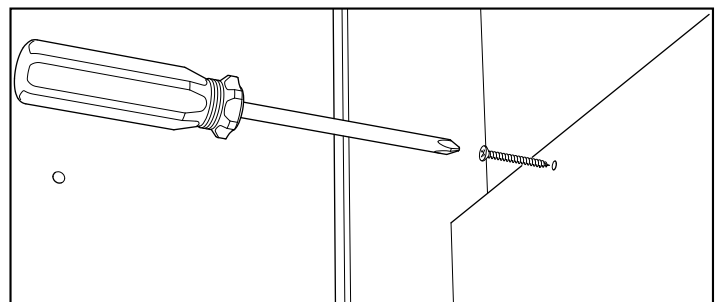


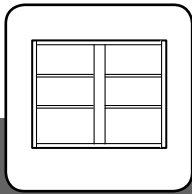
30mm CSK screw

### Appliance towers

The appliance tower **MUST** be secured to the wall for extra stability using larder brackets and screws (supplied in the fittings pack). Wall fixing screws have not been provided with this unit due to different wall types requiring different fixings.

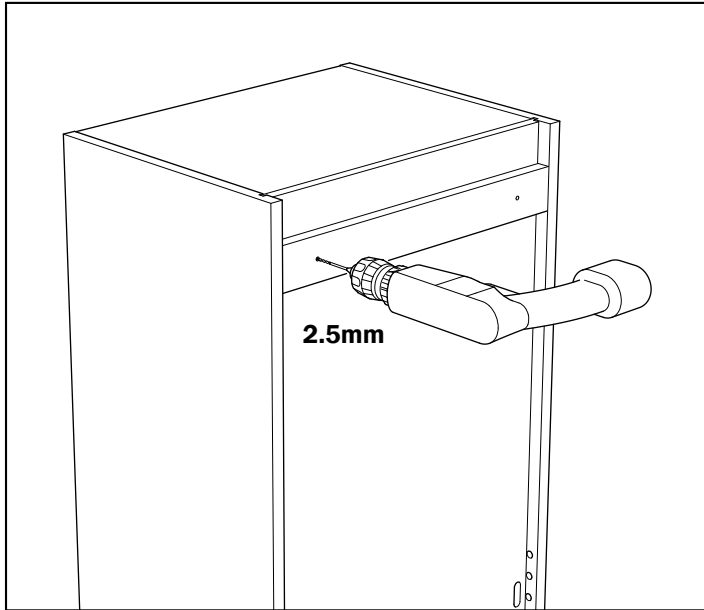
**NOTE:** Where applicable, secure the tower through the fixed back support panel.





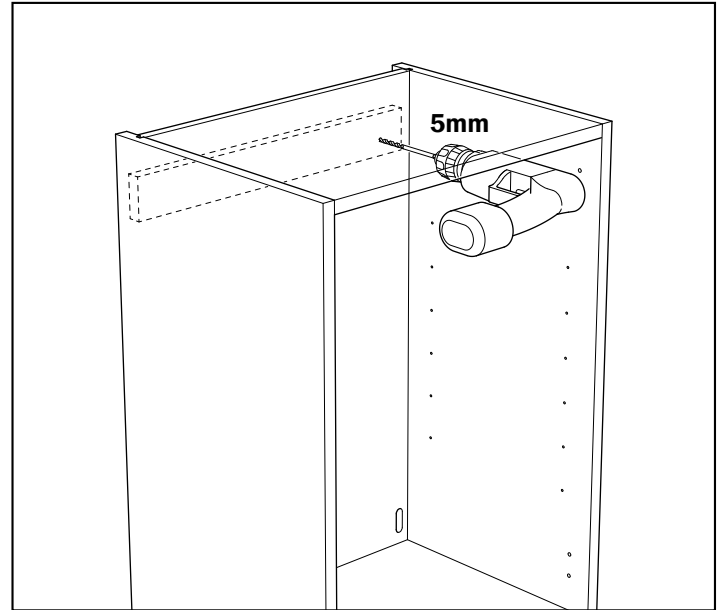
## Section 4 - Kitchen installation - Wall cabinets

### Pre-build



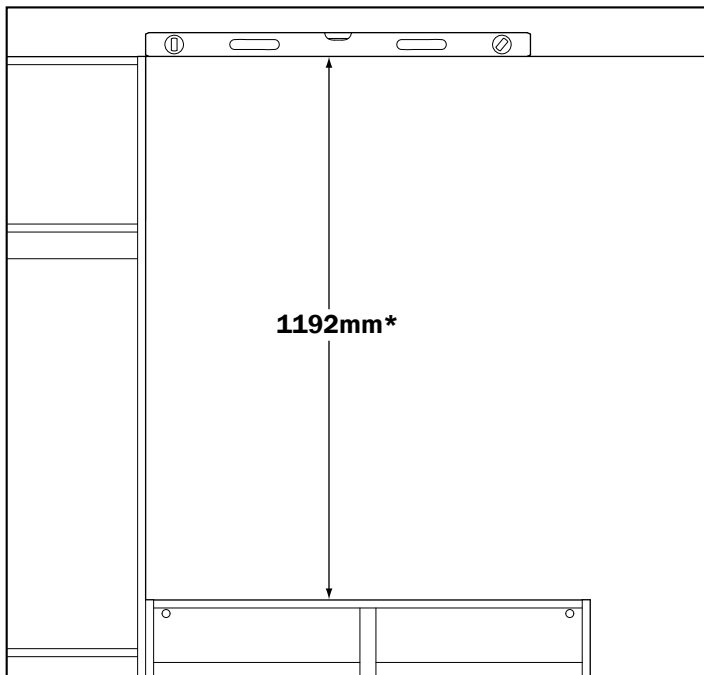
**NOTE:** Wall fixing screws have not been provided with this unit due to different wall types requiring different fixings.

Carefully make 2 holes using a 2.5mm drill bit (so as not to split the back panel) through the pre-drilled back rail and through the back panel. Widen the holes using a 5mm drill bit from the inside of the cabinet.



**NOTE:** 900mm wall cabinets, 800mm and 1000mm extra tall wall cabinets have a vertical rail as opposed to horizontal.

## Clearance dimensions

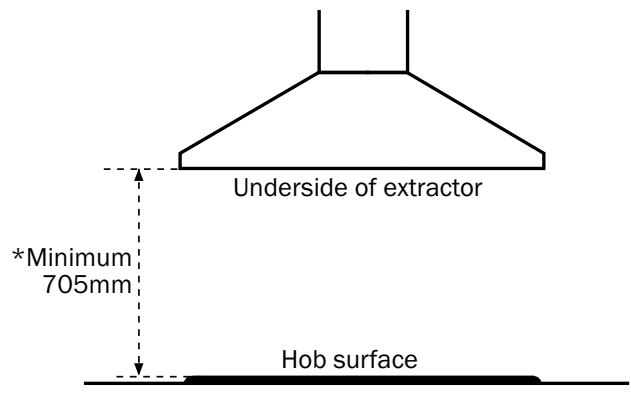


For profile kitchens, see **Section 2**.

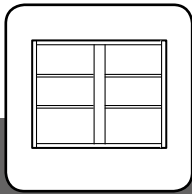
Measure and mark a line for wall cabinet positioning.

**IMPORTANT NOTE:** A minimum distance must be left between the worktop in which a hob is to be fitted and adjacent cabinets or extractor positioned above. Follow appliance manufacturer's guidelines for hob and extractor installation.

**\*NOTE:** When fitting 'extra tall wall' cabinets against a 'extra tall' appliance tower (with top box added), this dimension will be 1372mm.

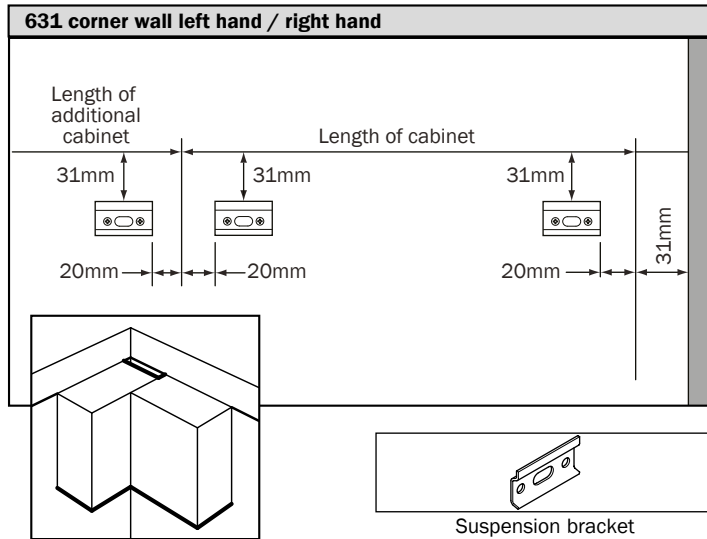


**\*NOTE:** Minimum distance to underside of extractor, see also manufactures guidelines.



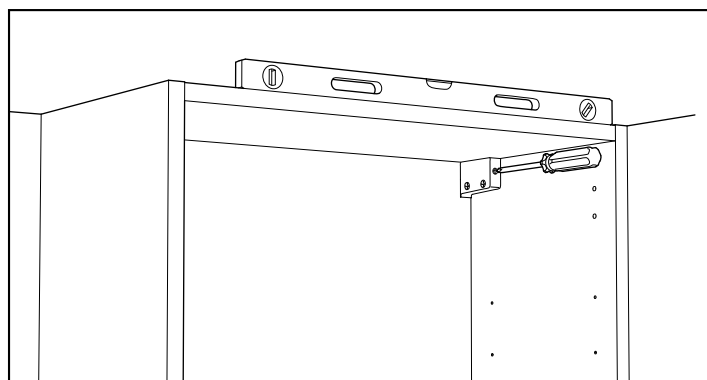
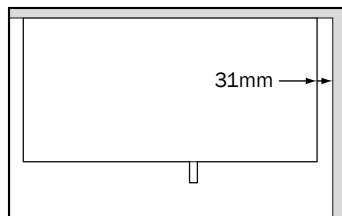
## Section 4 - Kitchen installation - Wall cabinets

# Standard corner wall cabinets - Fitting

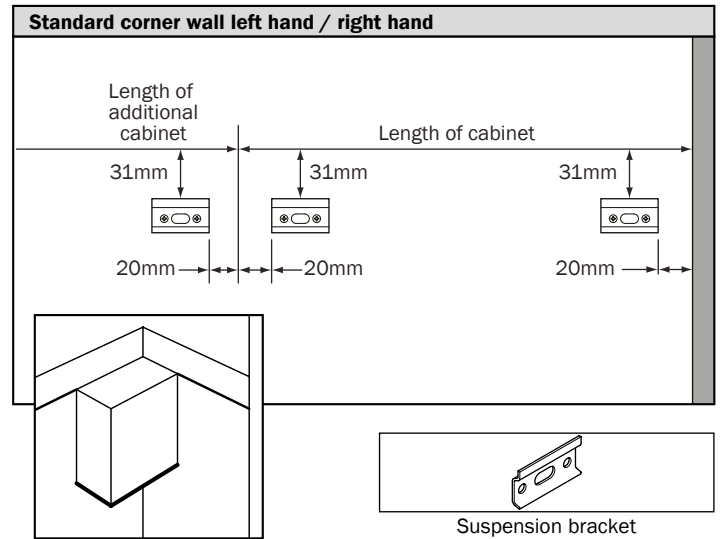
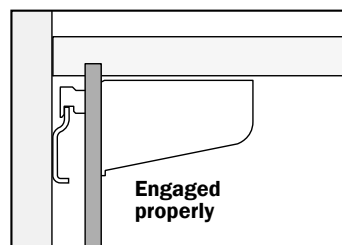
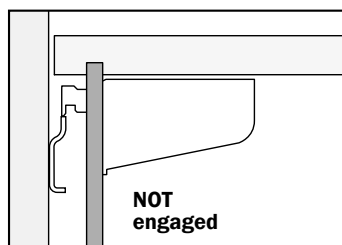


Mark the wall 31mm from the corner. Using this mark as the start of the 631 corner wall cabinet, mark the length of the cabinet on the wall and additional cabinets, as required. Place suspension bracket within these marks. Mark hole positions through the plates, drill and plug the wall. Screw the suspension brackets securely to the wall.

**NOTE:** It is important that a **MINIMUM** distance of 20mm is left between the ceiling and the top of the cabinet so it can be hooked onto the suspension brackets.



**NOTE:** Make sure that the 631 corner cabinet is placed to its mark before mounting additional cabinets.

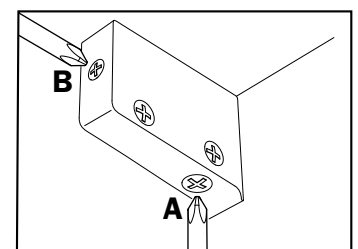
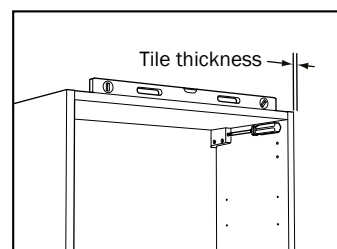


Fit a standard cabinet into the corner and mark the length of the cabinet on the wall and additional cabinets as required. Place suspension bracket within these marks. Mark hole positions through the plates, drill and plug the wall. Screw the suspension brackets securely to the wall.

**NOTE:** It is important that a **MINIMUM** distance of 20mm is left between the ceiling and the top of the cabinet so it can be hooked onto the suspension brackets.

**NOTE:** If you are tiling the kitchen wall, allow for the tile thickness between the cabinet and wall.

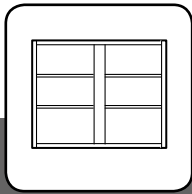
**NOTE:** When tiling up to a curved wall cabinet, ensure a sufficient gap is left between the opening door and the tile to enable the door to open correctly.



Put the cabinet to wall making sure that the suspension bracket arms engage over the suspension bracket. Turn screw 'A' for vertical adjustment, clockwise to raise the cabinet, anti-clockwise to lower it. Turn screw 'B' for horizontal adjustment, clockwise to pull the cabinet towards the wall, anti-clockwise to push it away.

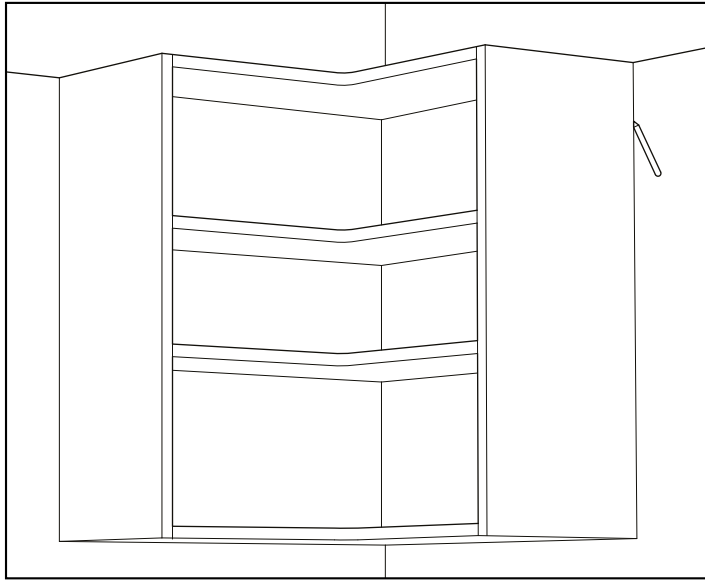
**NOTE:** Do not use power tools to adjust suspension brackets.

**NOTE:** Cabinets can fall off the wall if the suspension bracket is not properly engaged.



## Section 4 - Kitchen installation - Wall cabinets

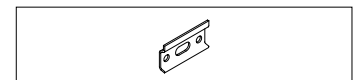
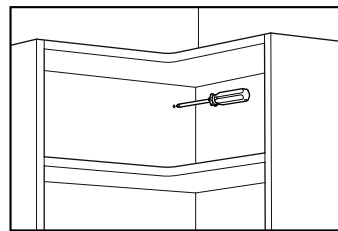
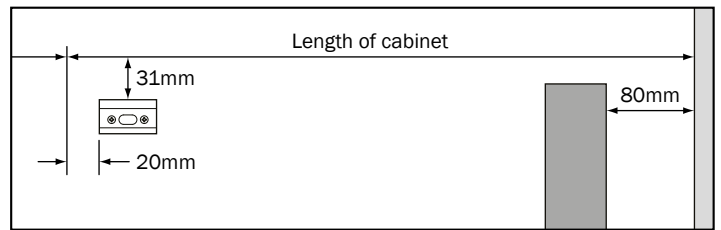
# Standard corner wall cabinets - Fitting



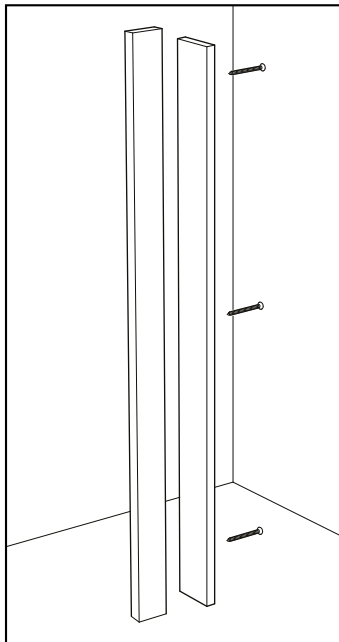
### 'L' Shaped corner cabinet

Hold the cabinet in the corner and mark the wall, remove cabinet. Measure, mark and drill wall for suspension brackets and chipboard rails. Fix the suspension brackets and chipboard rails with wall fixing screws. Position the cabinet carefully to the marks. Turn screw 'A' for vertical adjustment, clockwise to raise the cabinet, anti-clockwise to lower it. Turn screw 'B' for horizontal adjustment, clockwise to pull the cabinet towards the wall, anti-clockwise to push it away.

Fix the cabinet to the wall by screwing through the back panel and into the chipboard rails with flange head screws.

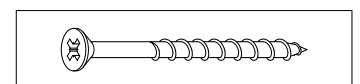
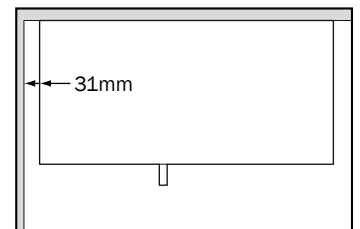
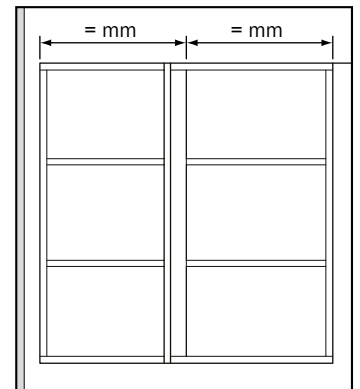
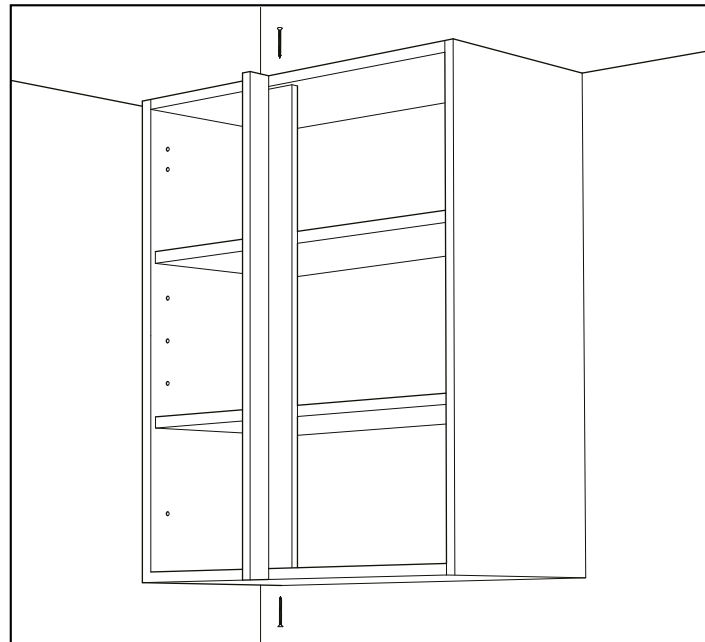


Suspension bracket

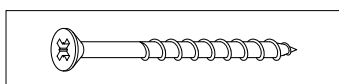


### Corner wall filler rail

Fit the filler rails together.

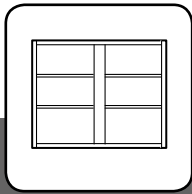


45mm or 50mm CSK screw



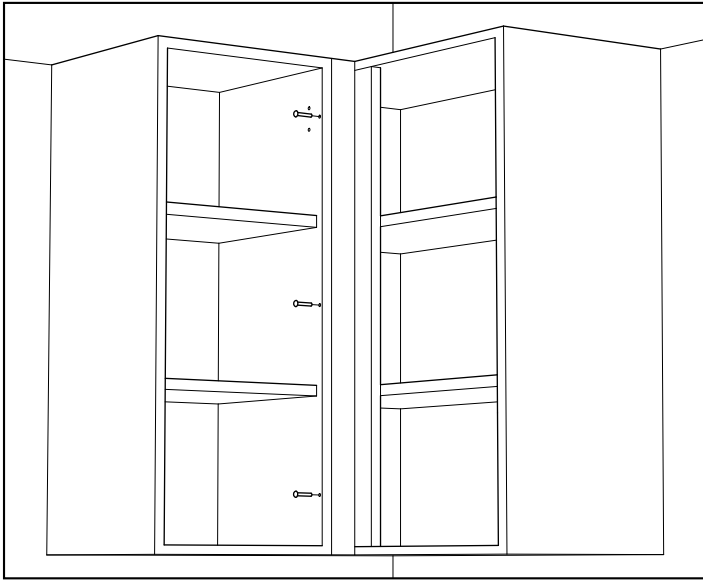
45mm or 50mm CSK screw

Measure, mark and drill 5mm holes for the filler rail and secure using 45mm or 50mm CSK screws. Position the cabinet 31mm from the adjacent wall, as shown.

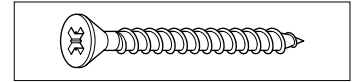
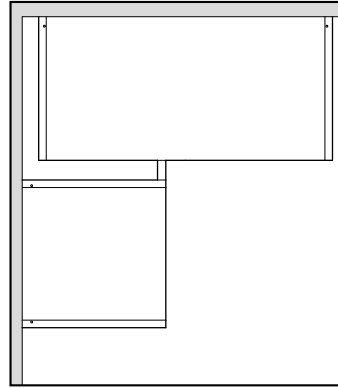


## Section 4 - Kitchen installation - Wall cabinets

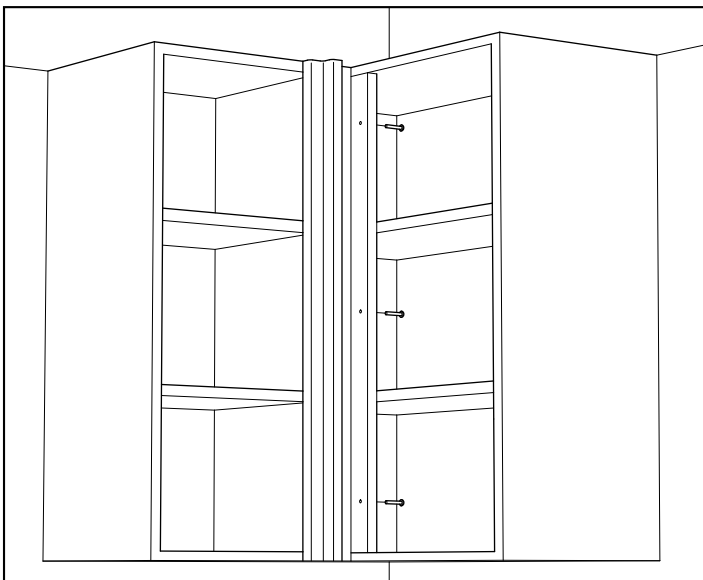
# Standard corner wall cabinets - Fitting



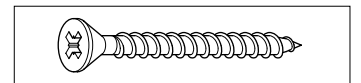
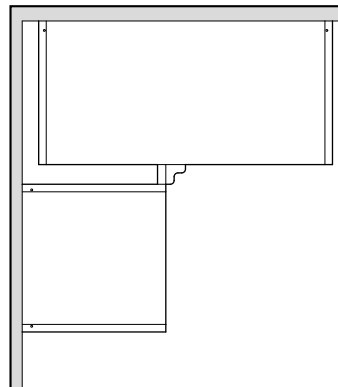
Position the adjoining cabinet to the edge of the rail as shown, then mark and drill fixing holes, secure using screws.



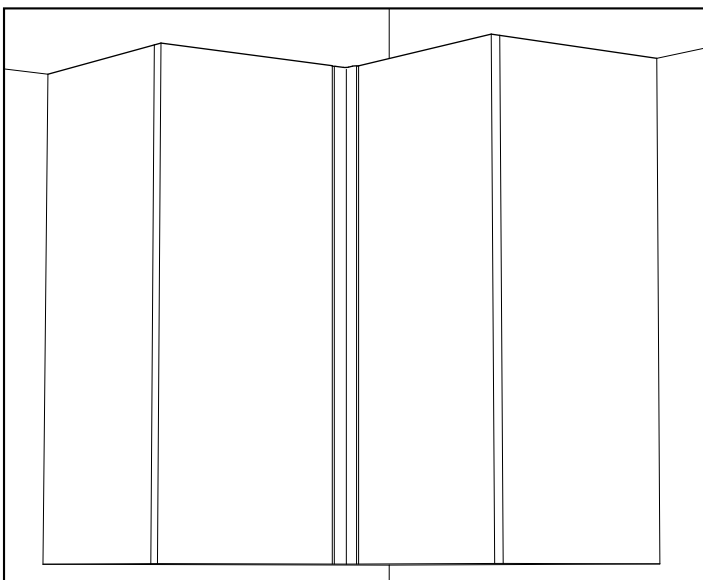
30mm CSK screw



Drill three pilot holes and fit the fillet to the filler rail using screws.



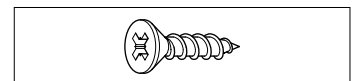
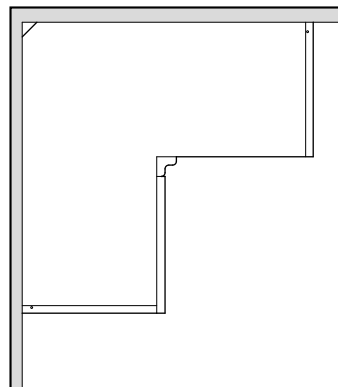
30mm CSK screw



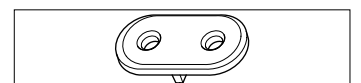
### Fillet fixing for 'L' shaped corner cabinet

Fit the fillet to the door using plate and screws. LH or RH door can be used depending on opening preference.

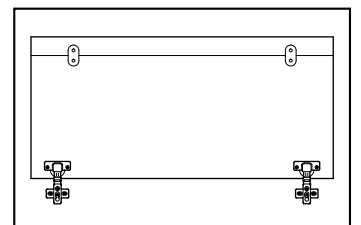
**Only one handle should be fitted, to the door without the fillet attached, to avoid clashing.**



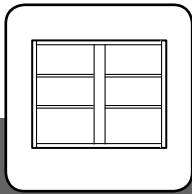
13mm CSK screw



Steel jointing plate





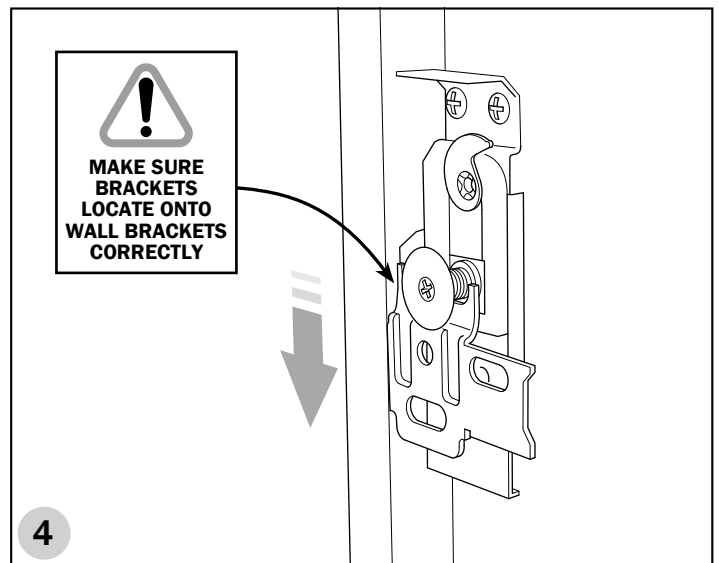
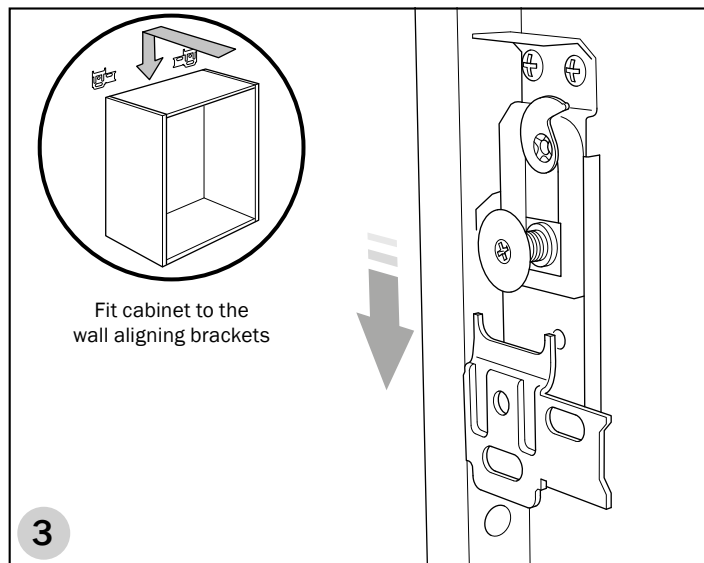
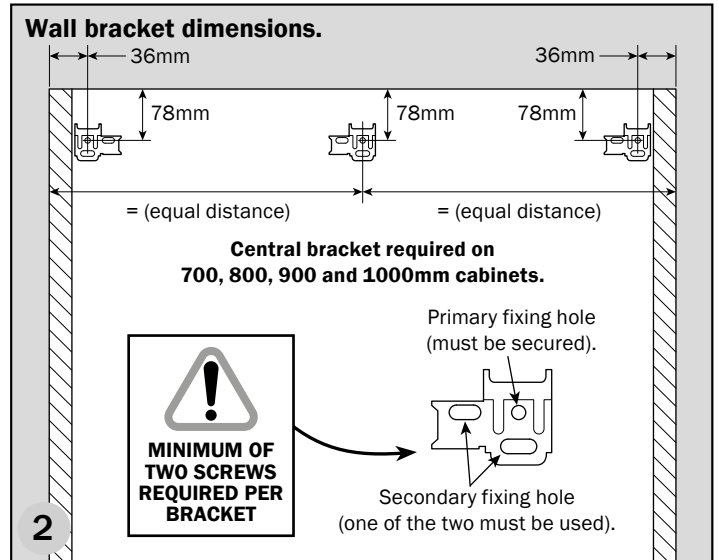
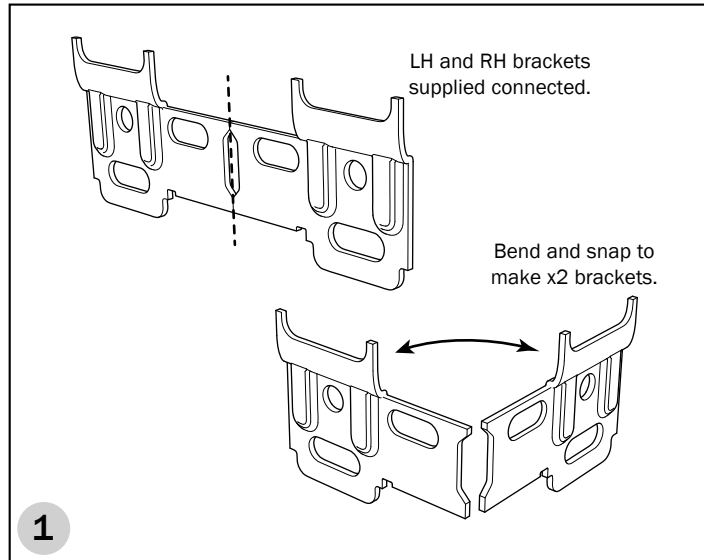


## Section 4 - Kitchen installation - Wall cabinets

# Deep wall cabinets - Fitting

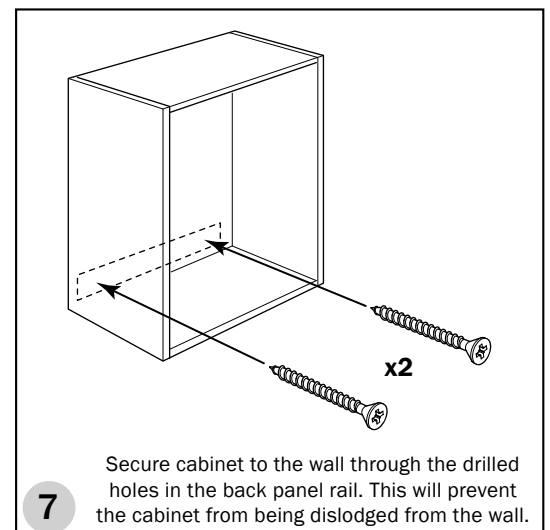
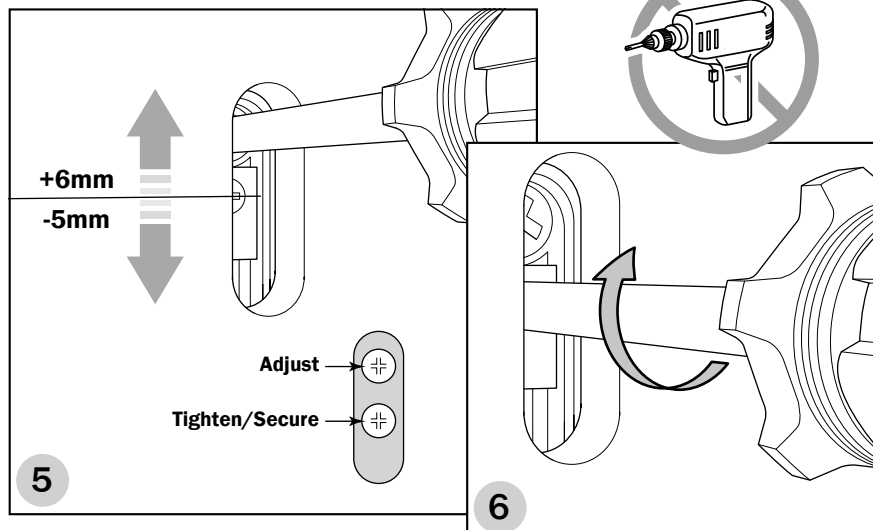
### Fixing to the wall and adjustment.

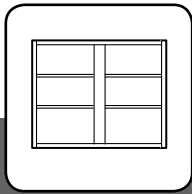
**NOTE:** Wall fixing screws have not been supplied due to different wall types requiring different fixings.



### Cabinet adjustment

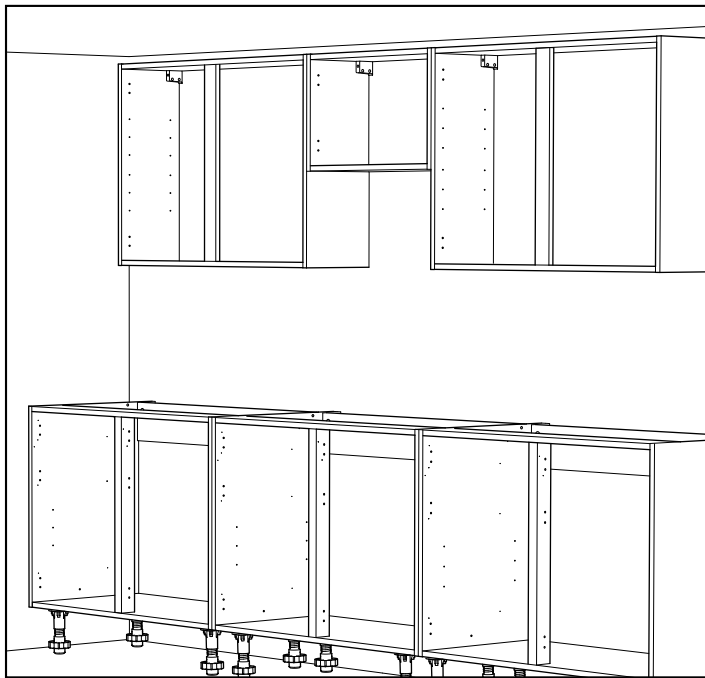
**NOTE:** Do not use power tools when making adjustments.





## Section 4 - Kitchen installation - Wall cabinets

# Fixing and connecting



**NOTE:** Wall fixing screws have not been provided with this unit due to different wall types requiring different fixings.

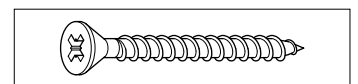
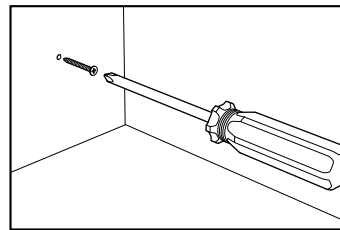
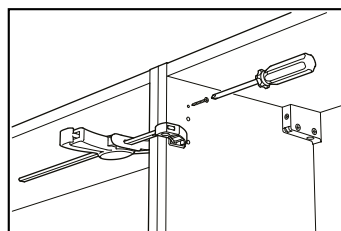
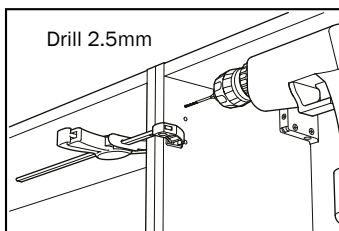
**NOTE:** If connecting to a 631 corner cabinet ensure that this is still in the position marked. When all required suspension brackets have been fixed to the walls, continue mounting and levelling the run of wall cabinets. Mark and drill in 2 suitable places towards the front of the end panels, away from hinges, using a 2.5mm drill bit. Secure the cabinets together using countersunk screws supplied to achieve a flush joint between cabinets. Take care not to force cabinets out of line whilst drilling etc.

**NOTE:** When connecting decor cabinets, ensure the countersunk screws are fixed through the adjacent non-decor cabinet to give a hidden connection.

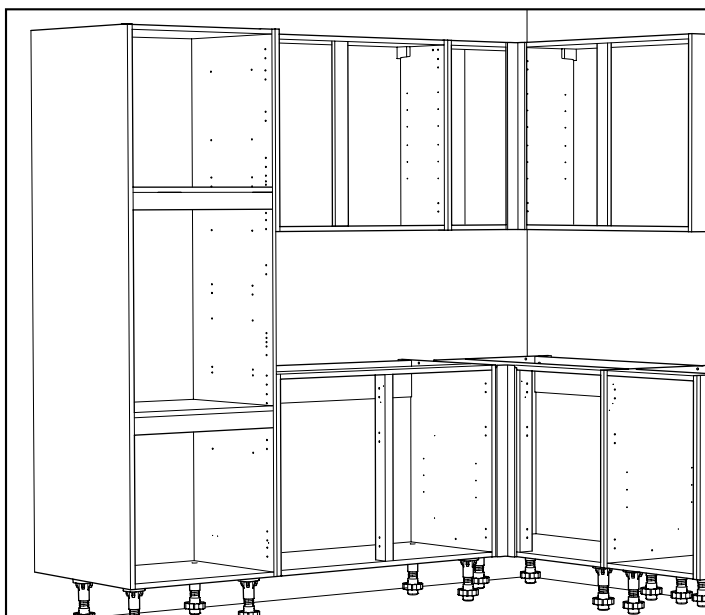
**NOTE:** If gables and gable returns are to be included in the run of cabinets, refer to the assembly instructions supplied with the product. Ensure that all cabinets are in the correct order as planned.

With the cabinets positioned, levelled and connected, mark the wall through the previously drilled holes in the rear of the cabinet. Take the cabinets away from the wall then drill and plug the wall. Move the cabinets back into position and screw securely to the wall.

For profile kitchens, see **Section 2**.

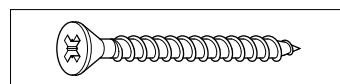
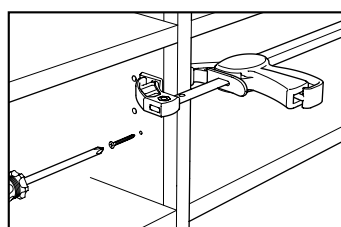
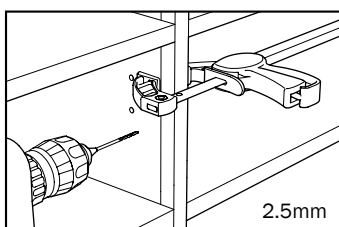


30mm CSK screw

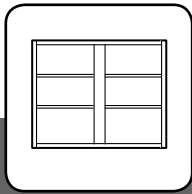


Mark and drill 2 holes through the adjacent cabinet end panel only using a 2.5mm drill bit. Then bradawl a starter hole and connect with countersunk screws.

For profile kitchens, see **Section 2**.

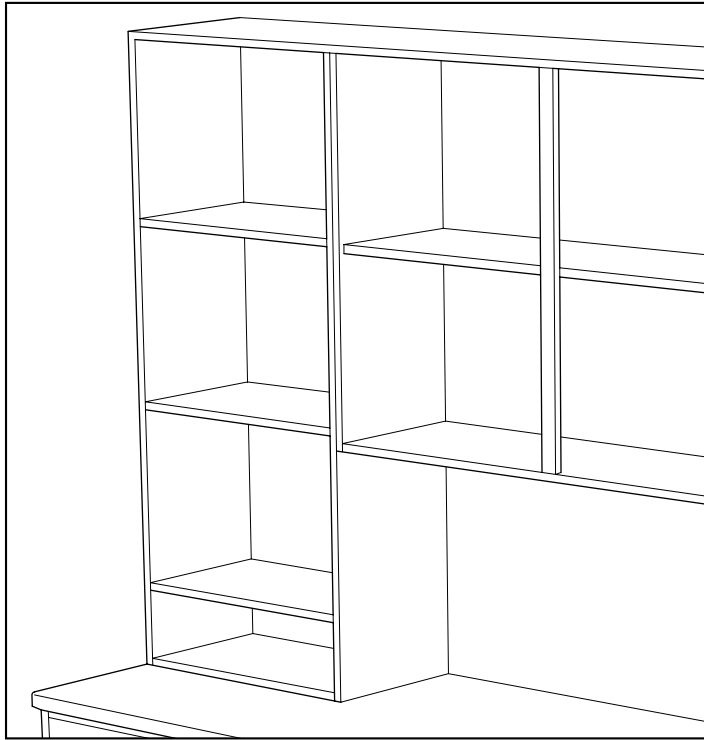


30mm CSK screw



## Section 4 - Kitchen installation - Wall cabinets

# Fixing and connecting



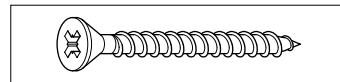
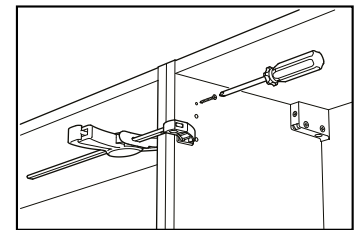
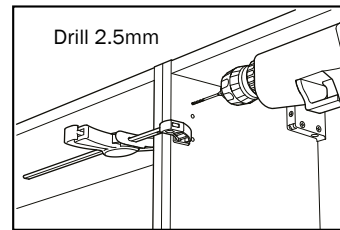
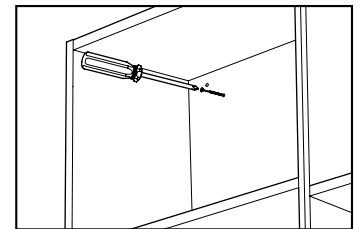
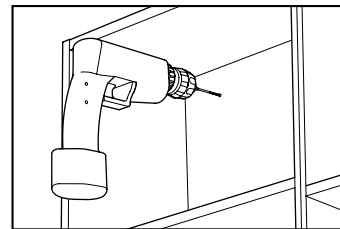
**NOTE:** Wall fixing screws have not been provided with this unit due to different wall types requiring different fixings.

### Tall glass dresser unit with spice drawer

Fix to the wall by drilling 5mm holes in 4 places (where applicable we suggest that 2 of these holes are drilled behind the drawer). Mark, drill and plug the wall. Secure with wall fixing screws.

**NOTE:** Before fixing to the wall CHECK that the worktop will fit between the wall cabinet and the base cabinet.

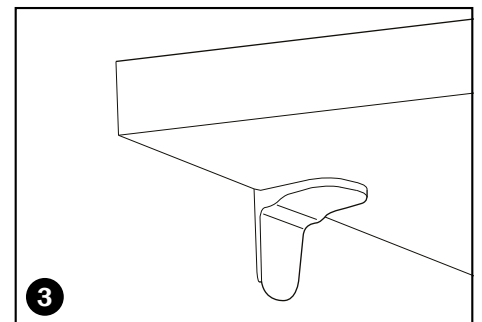
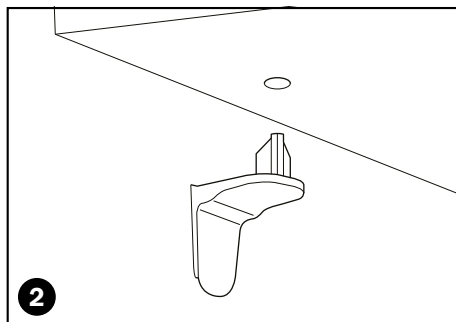
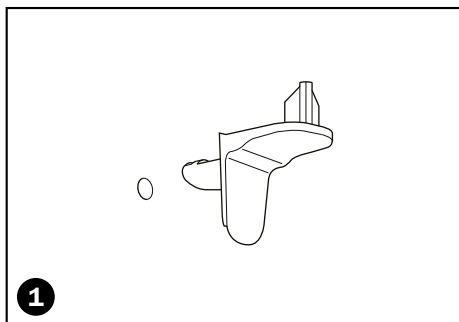
Connect by drilling 2.5mm holes through the adjacent non decor cabinet end panel only. Bradawl starter holes and connect using countersunk screws.



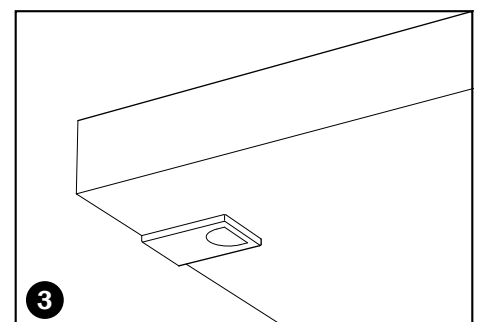
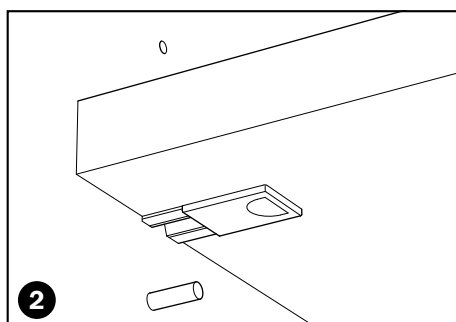
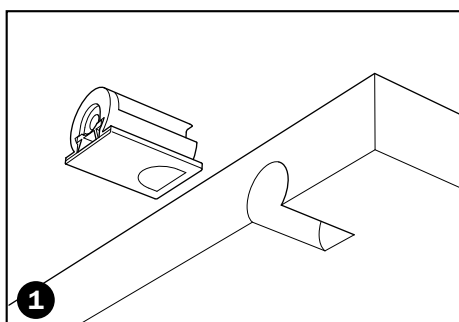
30mm CSK screw

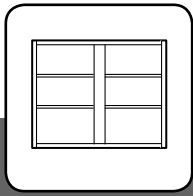
## Shelf installation

### Standard wall cabinets



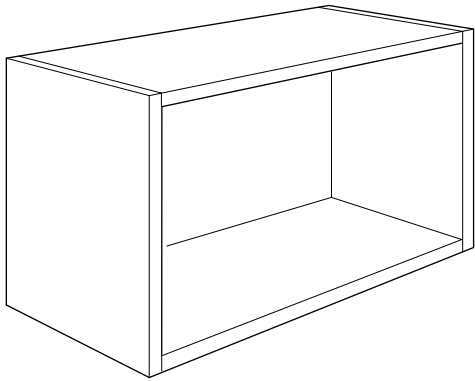
### Deep wall cabinets





## Section 4 - Kitchen installation - Wall cabinets

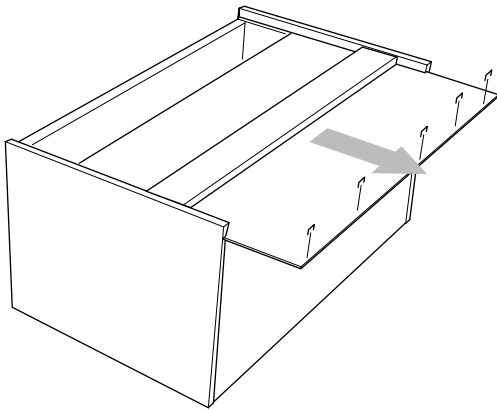
# Hob wall cabinet - Modification for microwave housing



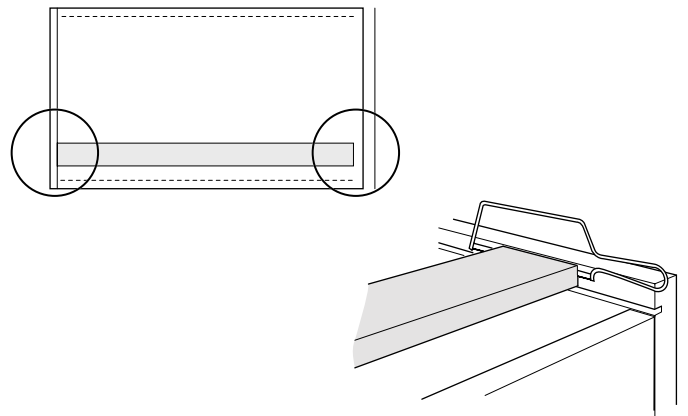
**NOTE:** The modified Hob Wall Unit is for the appliance housing.

### Unit preparation

- 1 Remove the back panel from the unit discarding staples.



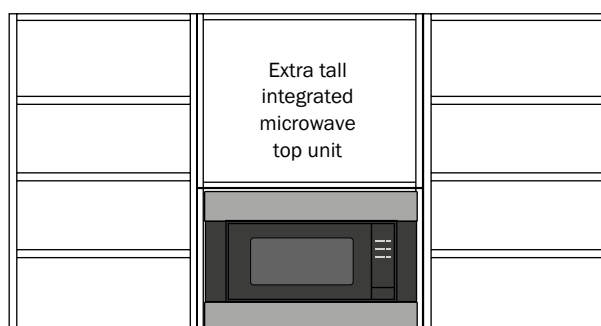
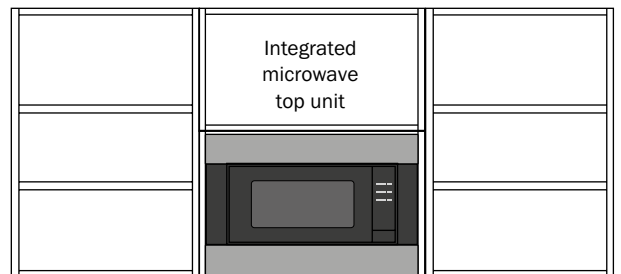
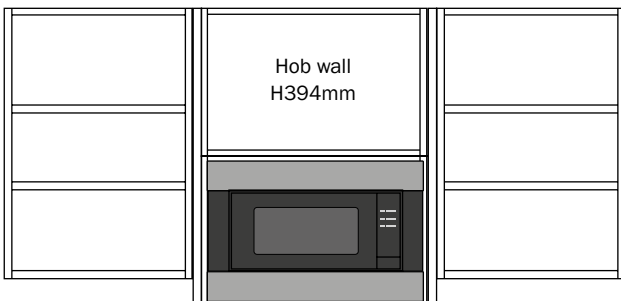
- 2 Remove the wall fixing rail.

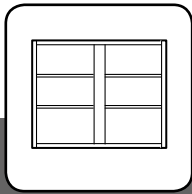


### Cabinet fixing

Secure the cabinet to the wall using the suspension brackets.  
Secure through the adjoining cabinets and into the hob cabinet for additional fixing.

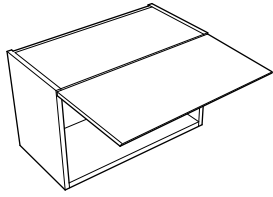
### Application examples



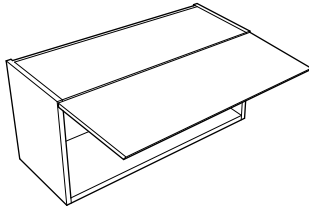


## Section 4 - Kitchen installation - Wall cabinets

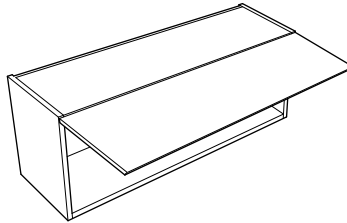
# Hob wall/Half-height wall/Bridging cabinet



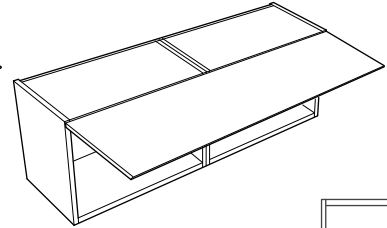
**600mm Integrated microwave top unit**



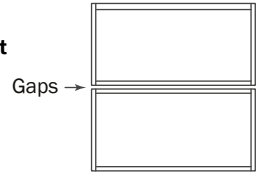
**500/600/800mm Half height cabinet**



**1000mm Bridging cabinet**



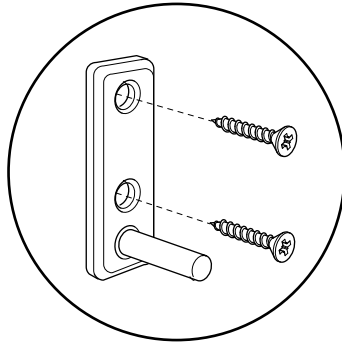
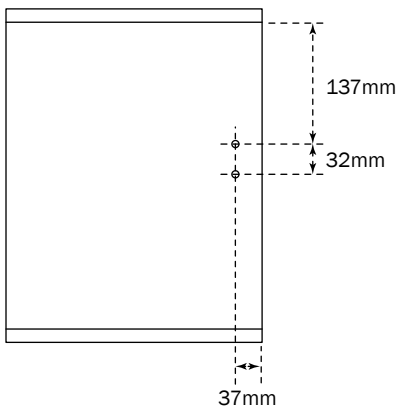
**1200mm Half height cabinet**



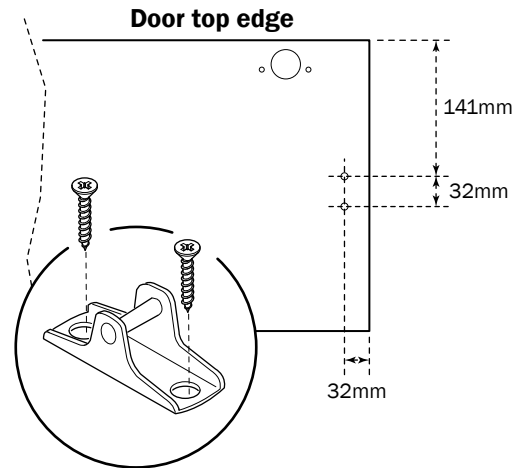
**NOTES:** When fitting two half height wall cabinets on top of each other, any gaps between cabinets can be filled with a suitable caulk or silicone filler. Two half height wall cabinets on top of each other will require a magnetic catch (push to open) fitted to the top cabinet.

## Assembly

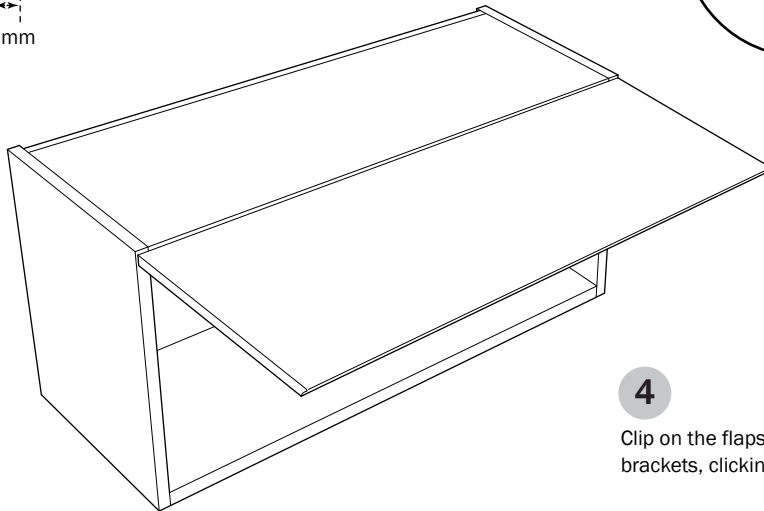
- 1** Mark out the cabinet end fixing positions and secure the bracket using the screws.



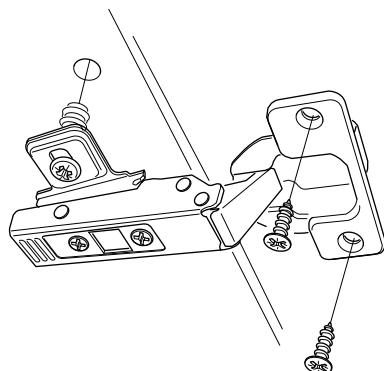
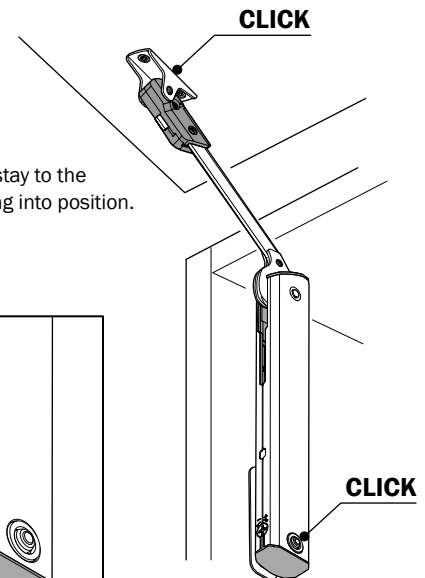
- 2** Mark out the frontal and fit the bracket using the screws to secure.



- 3** Fit the door to the cabinet using the hinges.

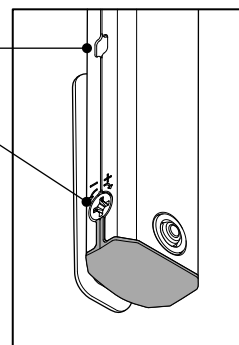


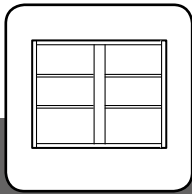
- 4** Clip on the flapstay to the brackets, clicking into position.



Adjustment setting number.

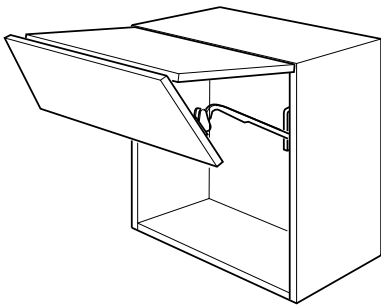
**Adjustment**  
Adjust the tension in the flapstay +/- to frontal weight, (if applicable with handle fitted).  
**NOTE:** A power driver with a PZ-2 bit can be used.





## Section 4 - Kitchen installation - Wall cabinets

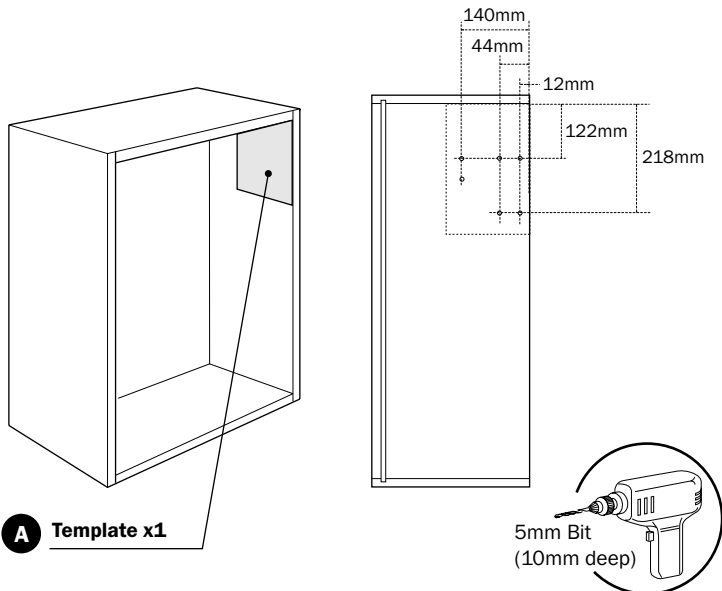
# 500mm and 600mm Bi-fold unit



### Assembly

**IMPORTANT:** Ensure the cabinet is level, plumb and secured to the wall before installing this product.

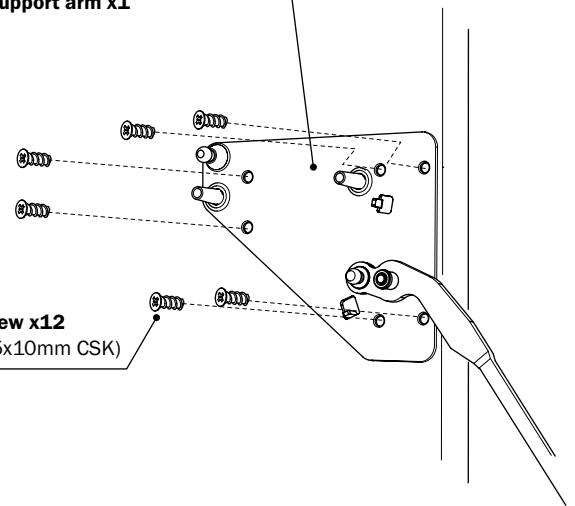
- 1** Using the template supplied spike runner fixing positions.



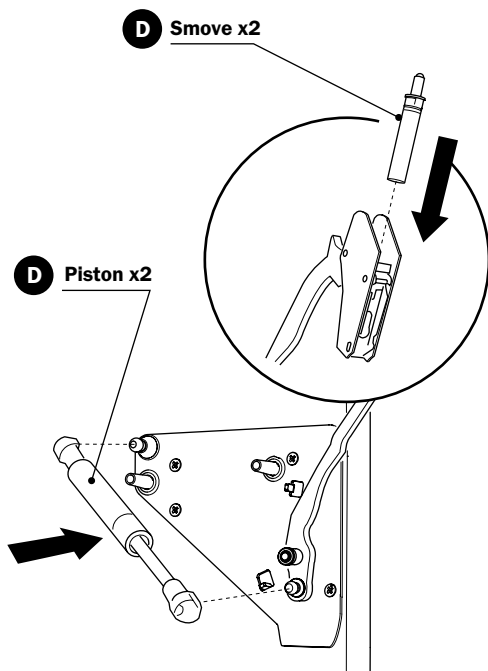
- 2** **B** RH Support arm x1

- C** LH Support arm x1

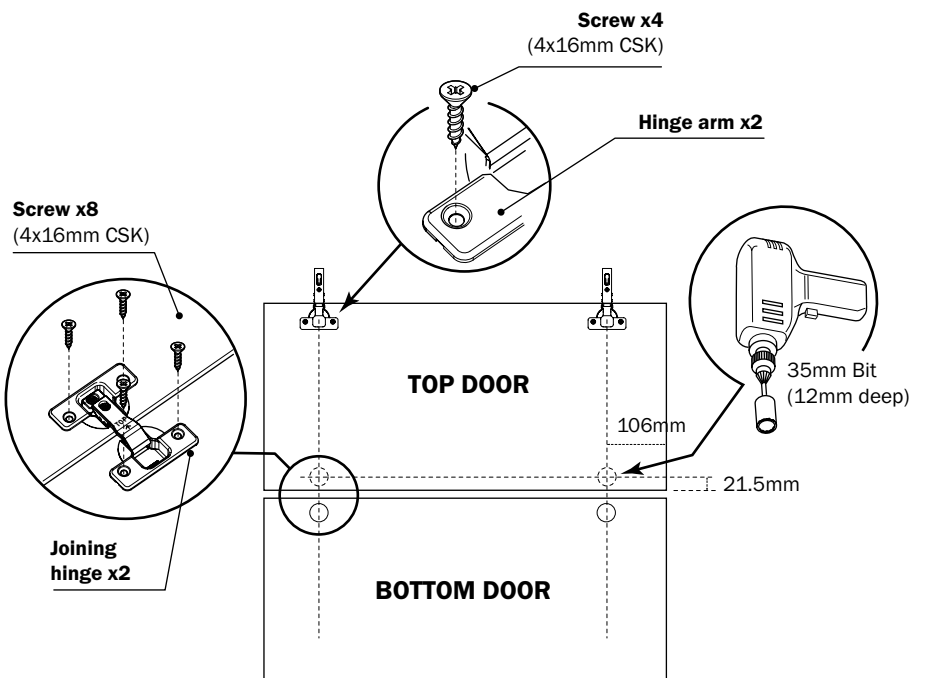
**Screw x12**  
(5.5x10mm CSK)

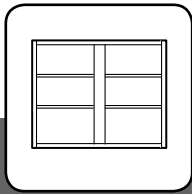


- 3** Lift the support arm and press piston onto the bracket pins.



- 4** Lay the doors face down and secure hinges.  
**NOTE:** The joining hinge hole locations will need to be drilled in the top door.





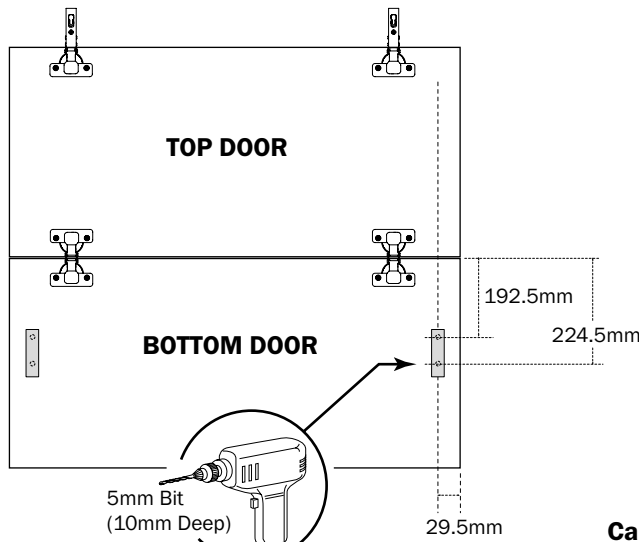
# Section 4 - Kitchen installation - Wall cabinets

## 500mm and 600mm Bi-fold unit

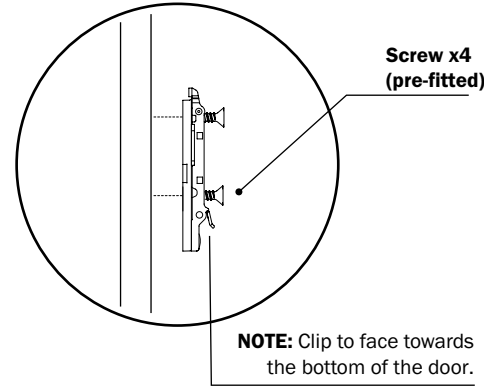
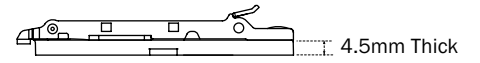
5

Fit the door and cabinet plates.

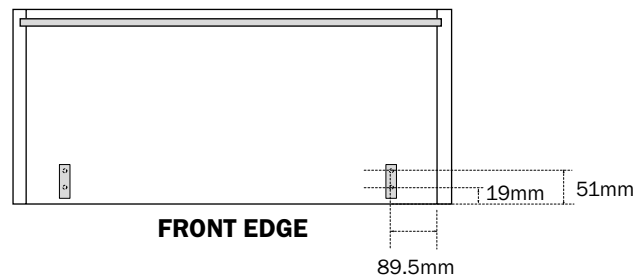
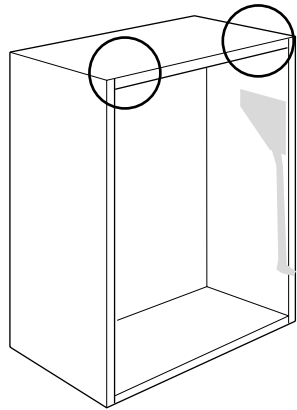
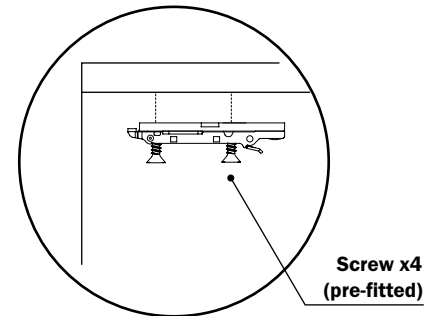
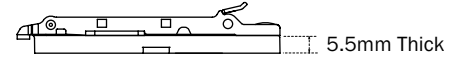
**NOTE:** The plates are very similar in design. Make sure the correct plates are used.



**Door plate x2**

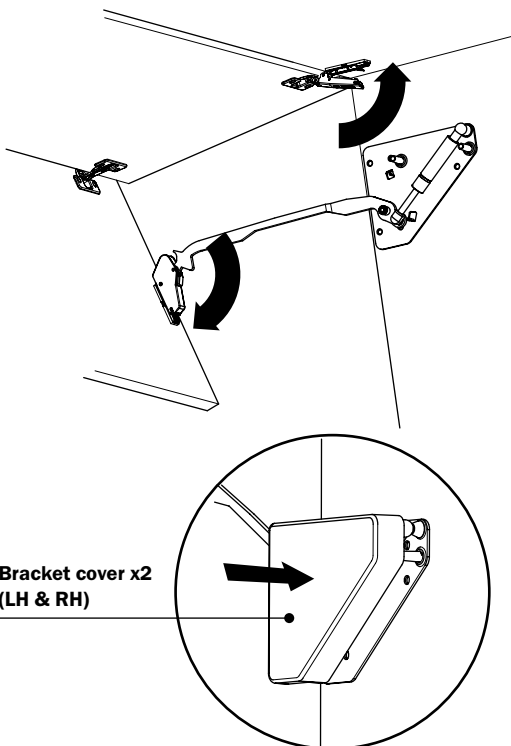


**Cabinet plate x2**

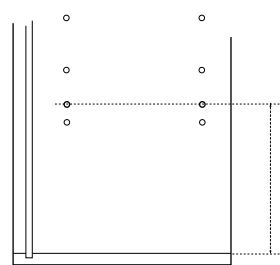


6

Fit the door assembly to the unit aligning the hinge and bracket arms with plates. Clip into place.



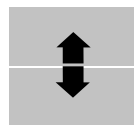
7



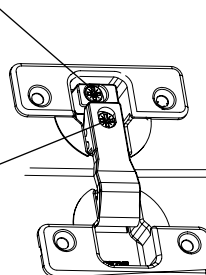
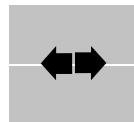
If using the lowest height shelf position, this will need to be raised by 20mm.

### Adjustment

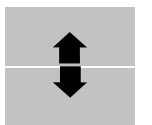
Up/Down



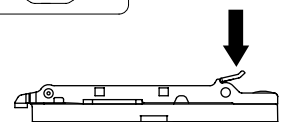
Left/Right

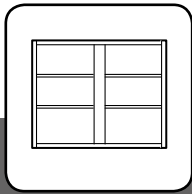


Up/Down



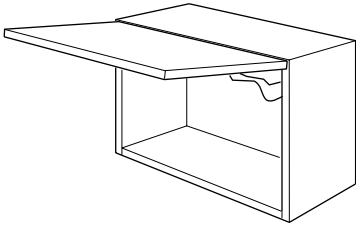
**NOTE:** To remove the top hinge and support arm from the plates, push the clip down on the plate to release as shown.





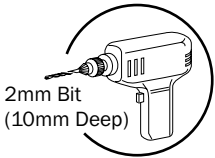
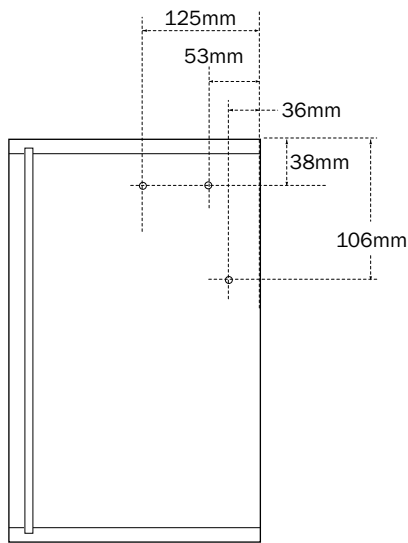
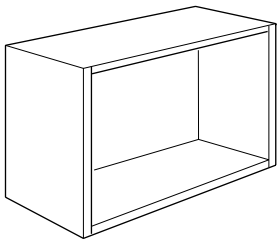
## Section 4 - Kitchen installation - Wall cabinets

# Aventos flap stay mechanism

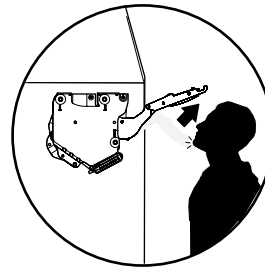
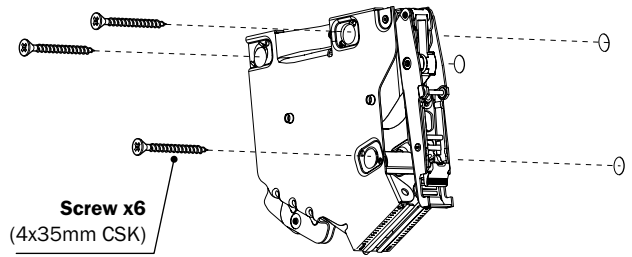


### Assembly

- 1** Using the dimensions below spike and pilot drill for flap stay mechanism fixing positions.



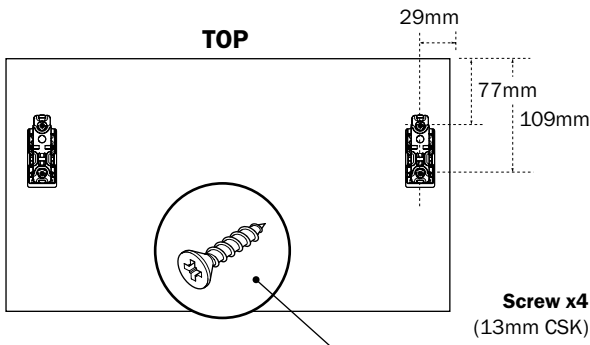
- 2** Secure the flap stay mechanism each side of the cabinet.



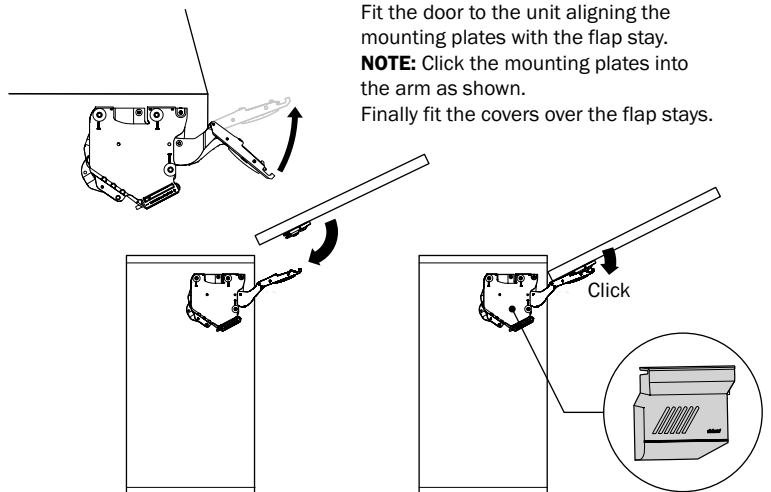
#### IMPORTANT:

- The arm of the flap stay is spring loaded.
- Care should be taken when fitting.
- Do not push the arm assembly down or leave in the down position.
- Remove mechanism before installing or removing the cabinet.

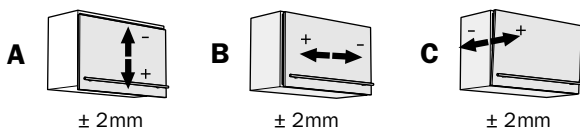
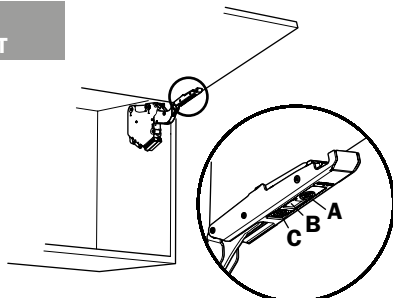
- 3** Fit the mounting plates to the back of the door using the screws shown.



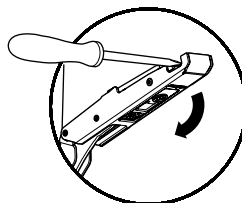
- 4** Carefully raise the arms of the flap stays to the upright position. **NOTE: Care should be taken when raising the arm as it is spring loaded.**



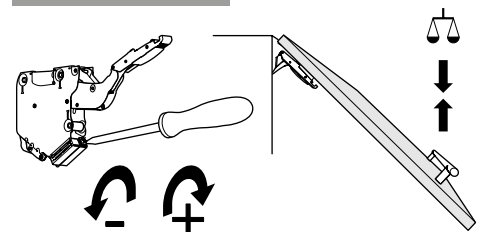
### DOOR ADJUSTMENT



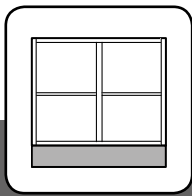
### DOOR REMOVAL



### DOOR TENSION ADJUSTMENT

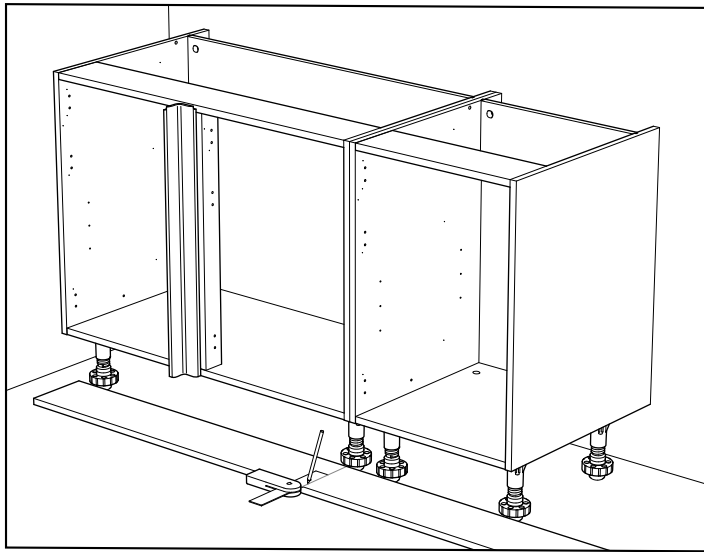






## Section 4 - Kitchen installation - Plinths

# Fixing plinths

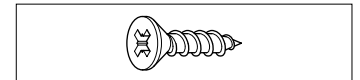
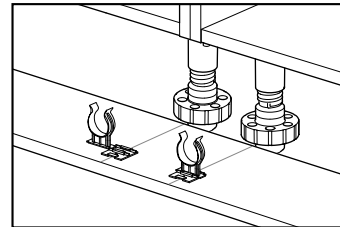
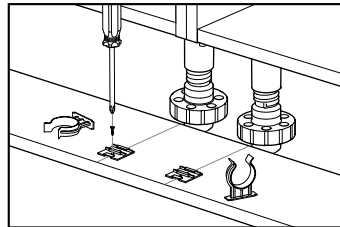
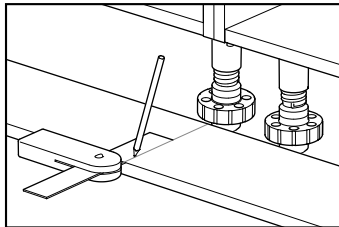


### Straight run

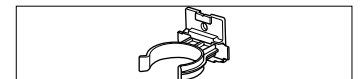
Lay plinth face down with the bottom edge against the adjustable legs. Mark the back of the plinth with a line to indicate the centre of feet. Screw plinth clip to back of plinth about halfway up the pencil line, using 13mm CSK screws. Slide clip into grooves in the plinth clip. Clip plinth in position onto the adjustable legs.

**NOTE:** Arrange the joints between lengths of plinths to align neatly between 2 cabinets.

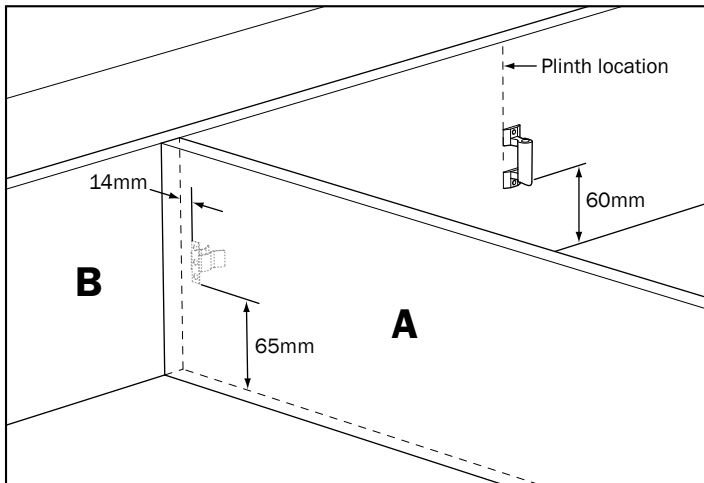
For fixing instructions for plastic profile plinths, see instructions supplied with the product.



13mm CSK screw



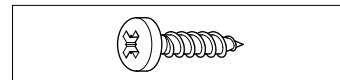
2 Part plastic plinth clip



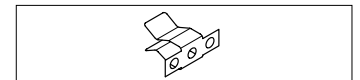
### Inside corner

Run the plinth into the corner and clip to all adjustable legs. Mark where the back of the plinth 'A' will join plinth 'B' at right angles. Make a mark of 60mm up on plinth 'B', and screw on the plastic part of spring clip with 2 pan head screws. Screw the spring clip onto the back of plinth 'A', 14mm from the end and 65mm up with 2 pan head screws.

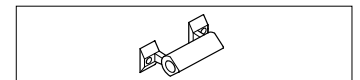
Clip the plinth neatly back together.



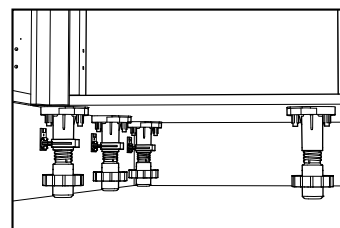
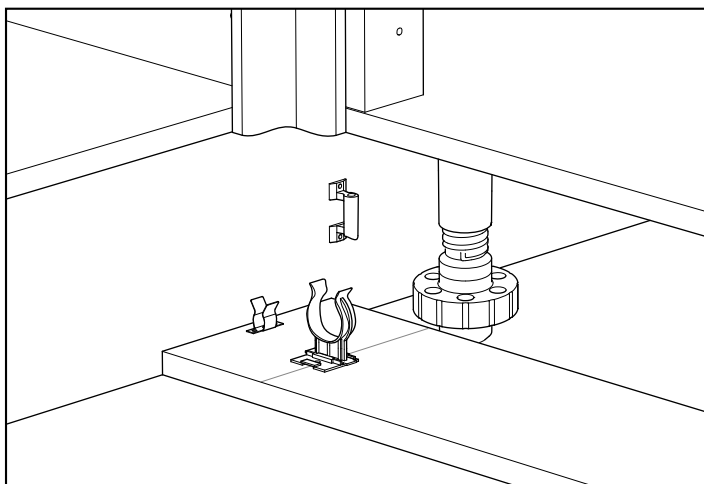
12mm Pan head screw

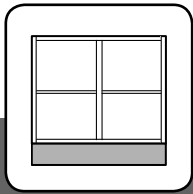


Spring clip - Female



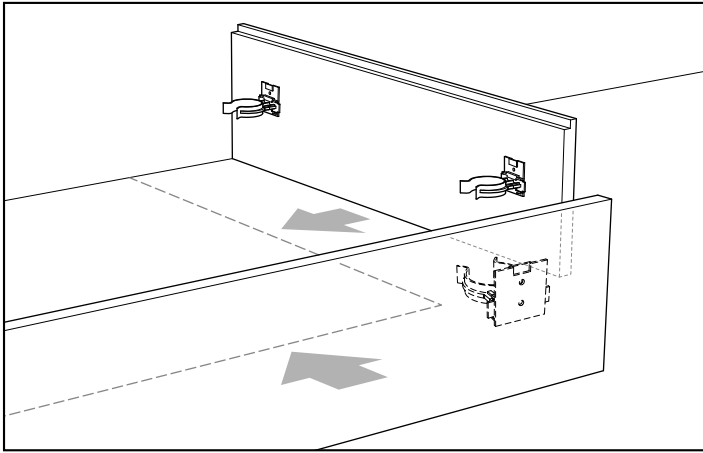
Spring clip - Male





## Section 4 - Kitchen installation - Plinths

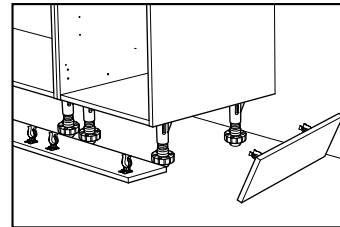
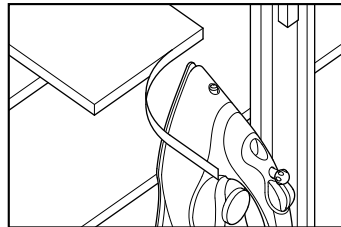
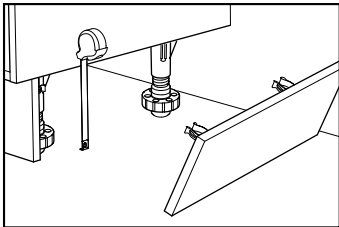
### Return plinth



Measure, cut and shape the return plinth to fit the skirting board and floor if required. Iron the pre-glued edge banding onto the exposed end, (if applicable), of the front plinth. Mark the positions for plinth clips and fit to the plinths, see **page 91**.

**NOTE:** The plinth and return plinth clips fit one above the other on the same leg.

**IMPORTANT:** To reduce the risk of damage to cut edges due to moisture ingress (where they are exposed to moisture) all raw edges must be sealed using a waterproof varnish or PVA.

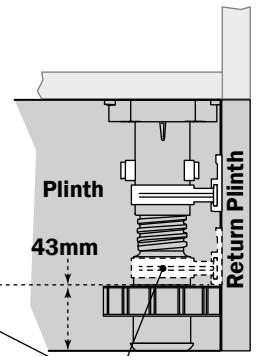
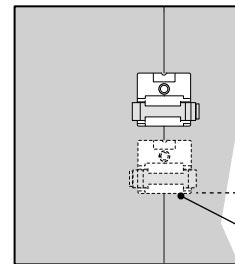
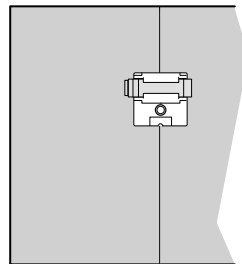
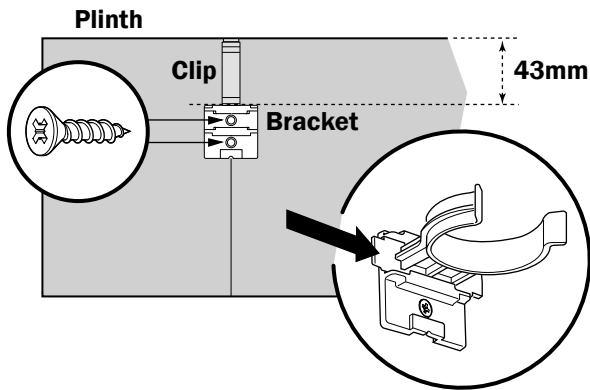


Position the plinth clip bracket to the plinth, aligning the notch with the pencil mark and secure using the screws provided.

**NOTE:** Use the plinth clip to space the bracket from the top edge.

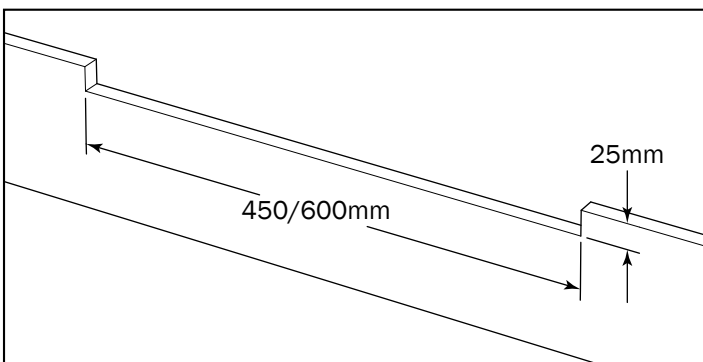
When fitting a return plinth turn the bracket 180 degrees so the clip, when fitted, is towards the bottom of the panel so clips do not clash when fitting to the same leg. Fit the clip into the bracket, slotting into place.

Turn plinth bracket 180 degrees so clip can be fitted to the bottom of the bracket



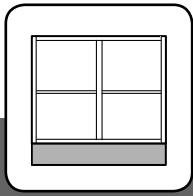
**NOTE:** Additional plinth clip/bracket can be positioned at the bottom of the leg, (43mm from bottom edge), if required in return application

## Plinth fixing with integrated dishwasher



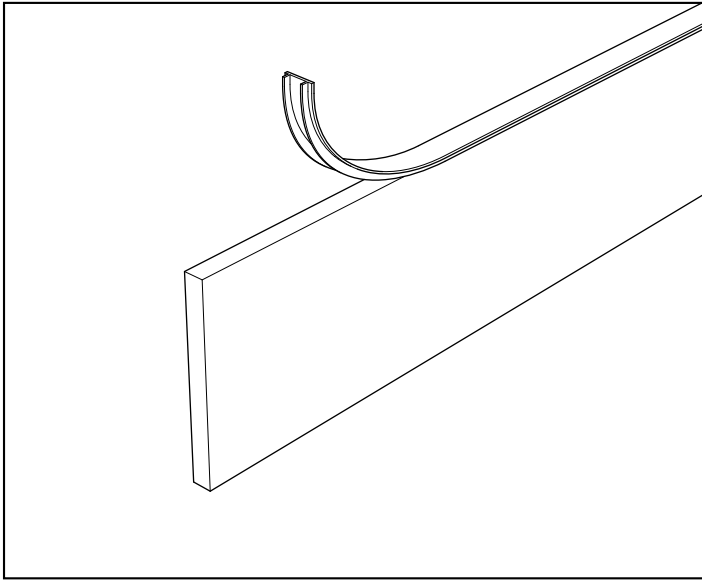
When fitting a dishwasher the plinth will need to be cut to allow for the door to open. Cut out a section of plinth using the dimensions given.

**IMPORTANT:** To reduce the risk of damage to cut edges due to moisture ingress (where they are exposed to moisture) all raw edges must be sealed using a waterproof varnish or PVA.



## Section 4 - Kitchen installation - Plinths

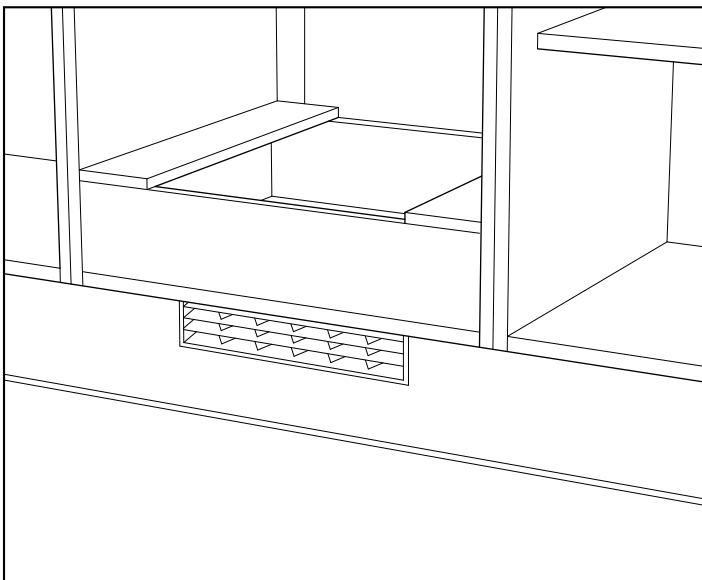
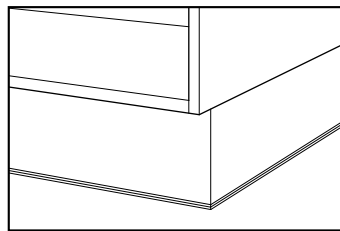
# Plinth sealer strip and plinth vent



**NOTE:** When fitting alternative plinth vents please refer to the installation instructions supplied with them.

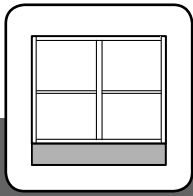
Attach the plinth sealer strip by pushing onto the bottom edge of the plinth base edge. The strip can be mitred with a sharp knife at the corners.

Plinth sealer strip is to be used with the MFC plinths that are 15mm thick. Tewkesbury and Tewkesbury Framed kitchen plinths also require plinth sealer strips where there are no curved units in the kitchen.



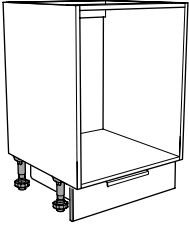
Where ventilation is needed under a cabinet, a plinth vent is supplied. Cut the plinth so as to bring the vent moulding into the centre of the cabinet that requires ventilation.

**IMPORTANT:** To reduce the risk of damage to cut edges due to moisture ingress (where they are exposed to moisture) all raw edges must be sealed using a waterproof varnish or PVA.



## Section 4 - Kitchen installation - Plinths

# Plinth drawer adaptor kit

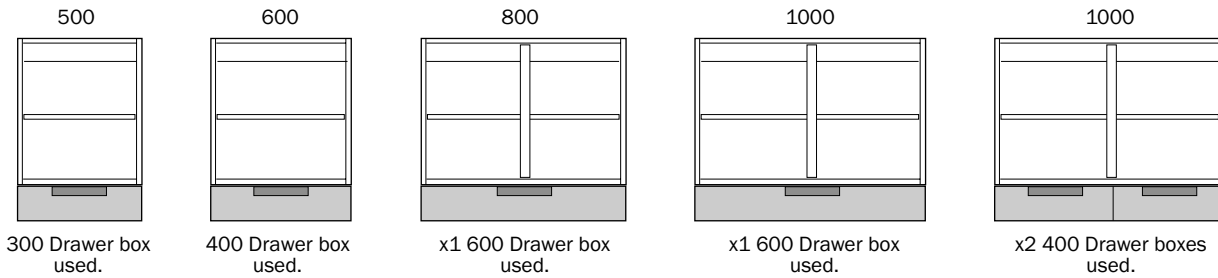


### IMPORTANT NOTES:

Ensure packaging is disposed of in a safe environmentally friendly way.

## Applications

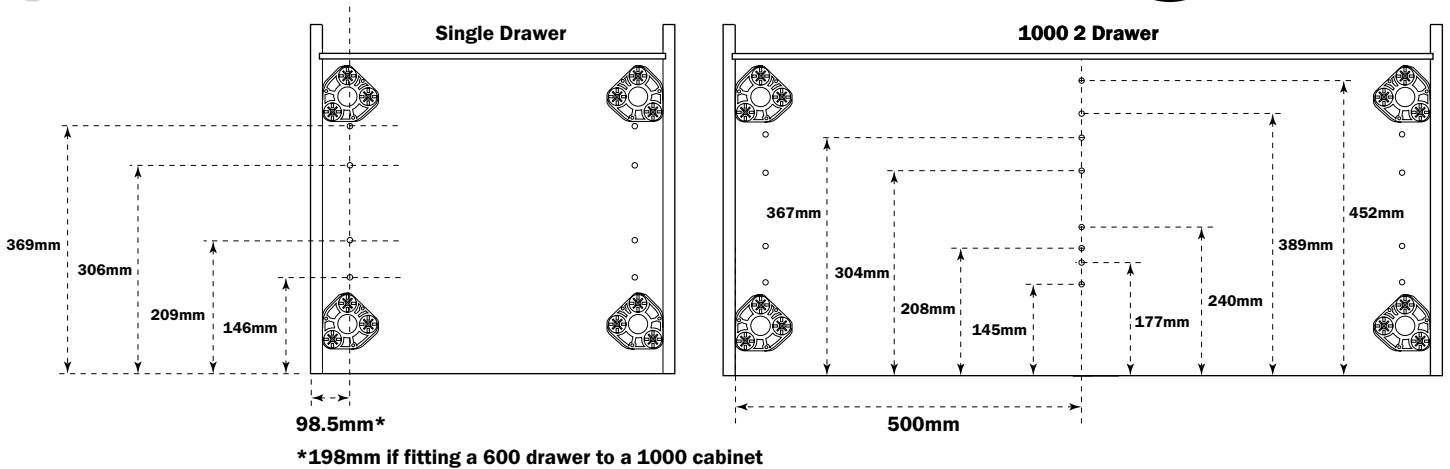
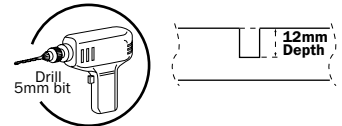
**NOTE:** The plinth drawer adaptor kit is to be used with your soft close drawer runner system, which is supplied separately. Shown below are some application examples.



## Assembly

**NOTE:** Fit the legs to your cabinet, see **pages 16-17**, (these are supplied with the cabinet).

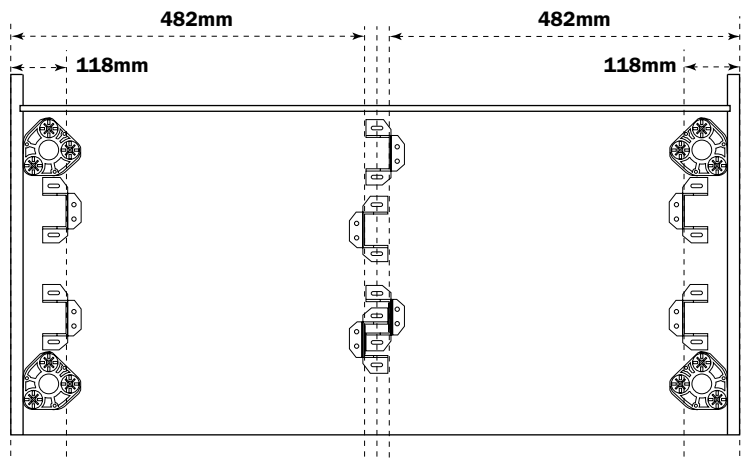
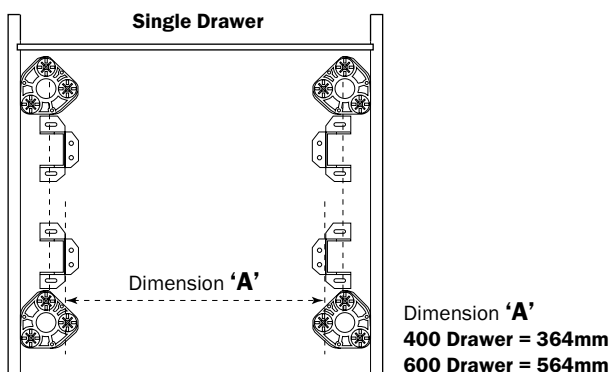
- 1 Mark and drill 5mm holes on both sides of the unit.

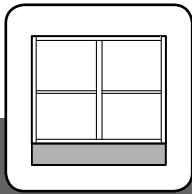


- 2 Fit brackets to the base. Secure with euro screws through the slotted holes. Ensure the distance between the brackets is correct, then spike and secure the brackets at the front with screws provided.

### 1000 2 Drawer

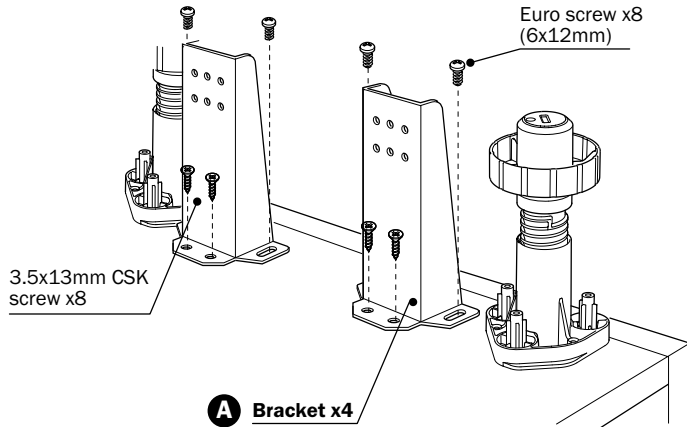
Fit brackets to the base. Secure with euro screws through the slotted holes.





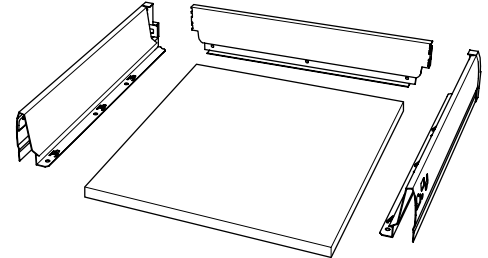
## Section 4 - Kitchen installation - Plinths

# Plinth drawer adaptor kit



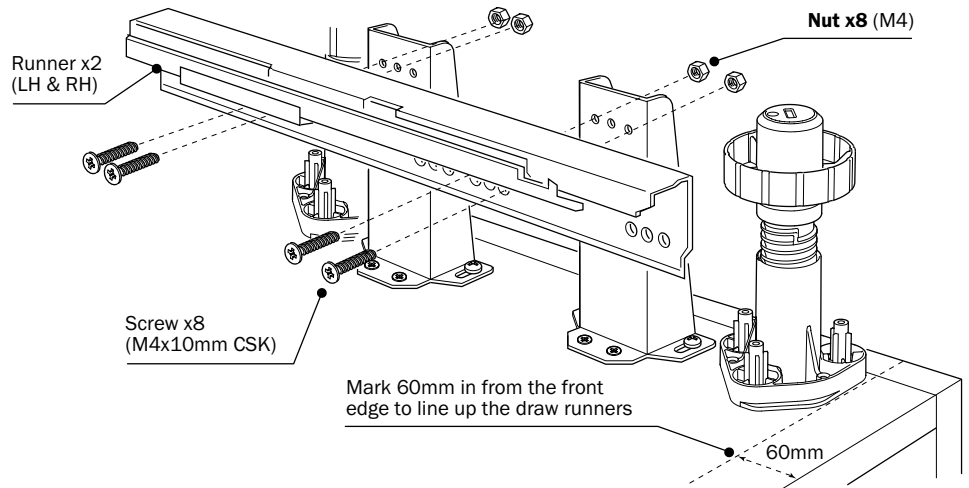
**A** Bracket x4

**3** Assemble the drawer following the instructions, see [page 60-70](#).



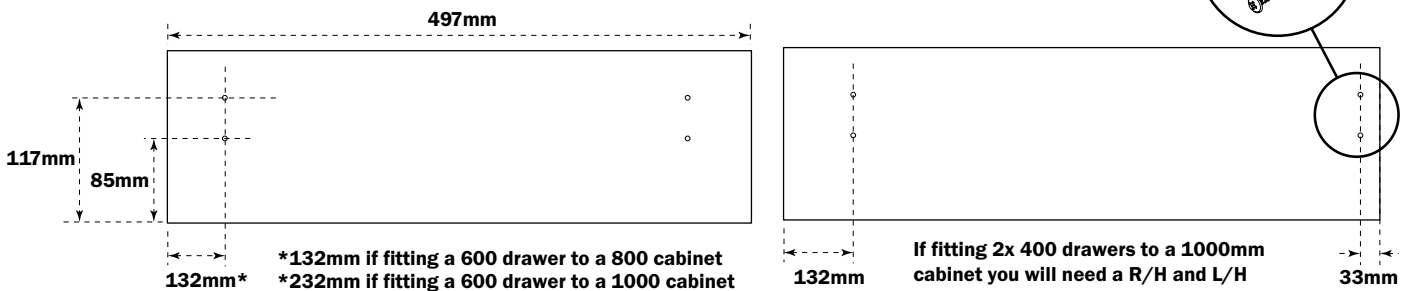
**4** Fit runners to brackets.  
**NOTE:** Runners are supplied within the drawer pack. Fixings for the runner to bracket are supplied with the adaptor kit.

**NOTE:** Use upper set of holes as a standard. Lower set can be used depending on your leg/plinth height. If lower holes are used, ensure this is reflected with the dimensions on the back of the drawer front (stage 5).

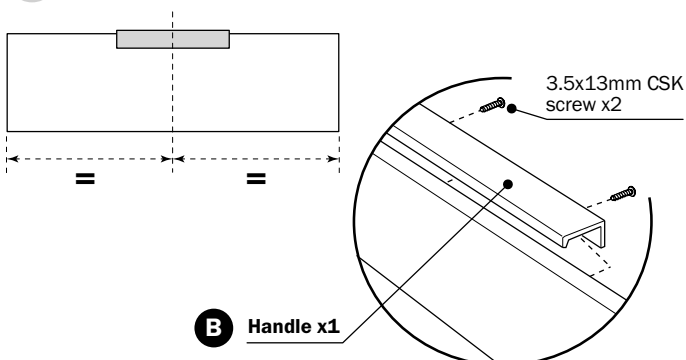


**5** Cut a section of plinth dependent on the width of your cabinet and spike fixing positions. Plinth width example shown is for a 500 base cabinet.

**NOTE:** Fixings to secure the plinth front to the drawer are supplied in the drawer pack.  
**NOTE:** Apply edging to the sides and top of the plinth using an iron.  
**NOTE:** Cut the plinth height to accommodate for framed ranges (25mm less height).



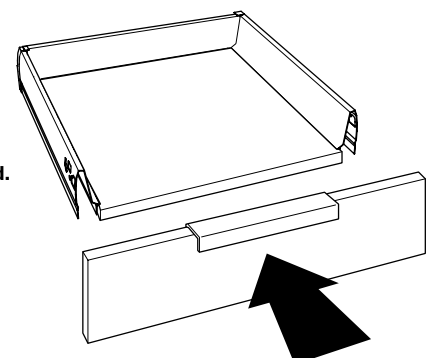
**6** Fit handle.

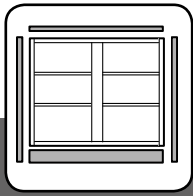


**B** Handle x1

**7** Fit plinth front to drawer, then fit drawer to the upright cabinet.  
**NOTE:** For drawer front fixing and adjustment, see [page 60-70](#).

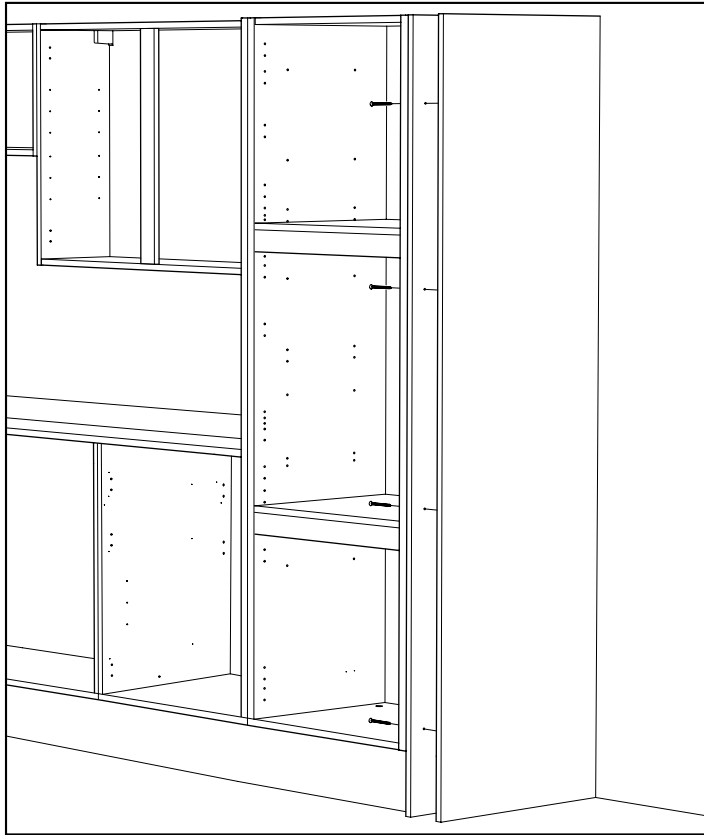
**Install the cabinet.**  
**Scribe the bottom edge of the plinth drawer front if required.**





## Section 4 - Kitchen installation - Decor end panels and cornice/pellets

# Fixing



In some installations the fitting of a decor end panel may be required. These will require cutting to size. Secure from the inside using countersunk screws.

**NOTE:** Fit the plinth, (if applicable, see **page 91**), before fitting decor end panel. Cornice fixing should be carried out after decor end panel is in place.

**IMPORTANT:** To reduce the risk of damage to cut panels due to moisture ingress (where they are exposed to moisture) all raw edges must be sealed using a waterproof varnish or PVA.

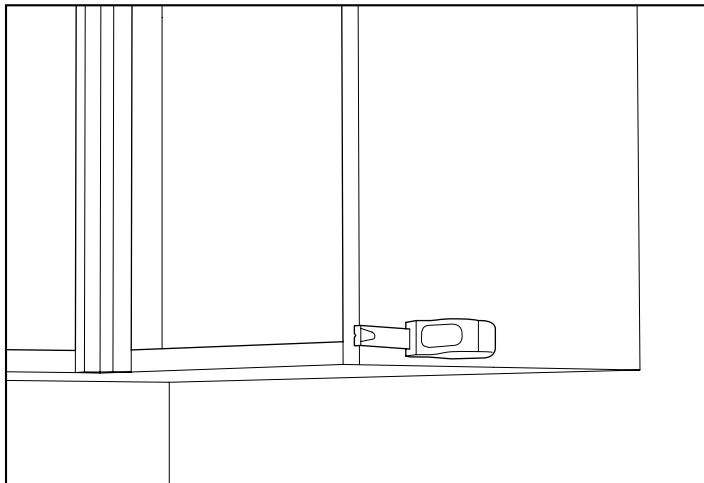
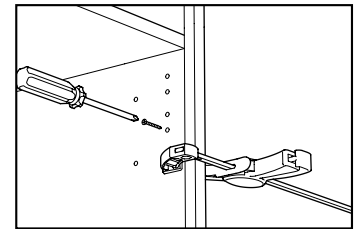
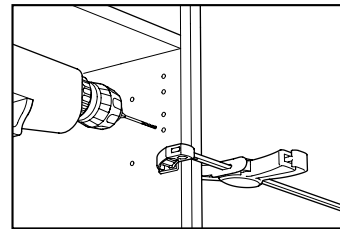
**NOTE:** To finish the cabinet run at the top, a cut decor end can be used to create a thin Cornice. Secure to the front of the cabinets using 25mm csk screws.

**NOTE:** When using base and wall decor ends, pilot drill the decor end panel and secure to the side of the cabinet using 25mm csk screws.

**IMPORTANT NOTE:**

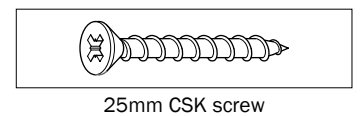
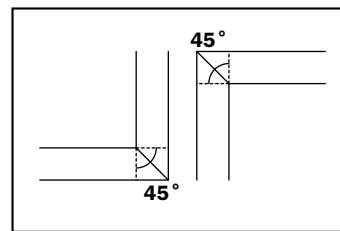
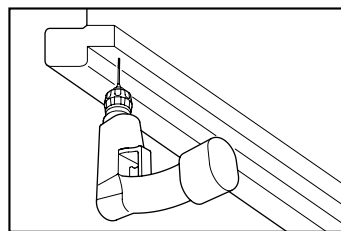
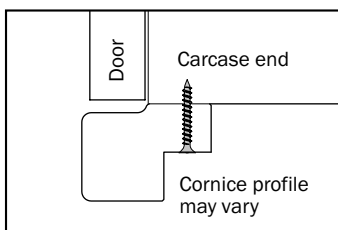
**When using a 12mm thick decor end, use 25mm screws.**

For profile kitchens, see **Section 2**.

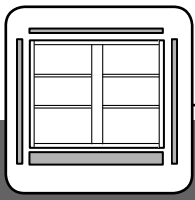


Carefully measure the pelmet and cut to the correct lengths. Only use 45° mitre joints at corners, if required. Fix with countersunk screws.

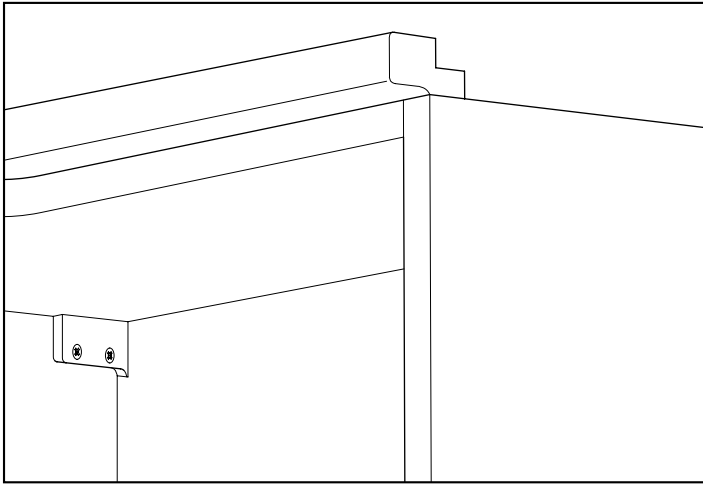
**NOTE:** If you are tiling the wall or fitting a full-height splashback then a gap should be left where the return pelmet meets the wall to accommodate the tile / splashback thickness.



25mm CSK screw



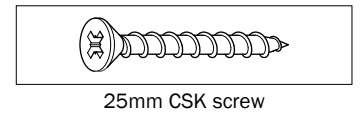
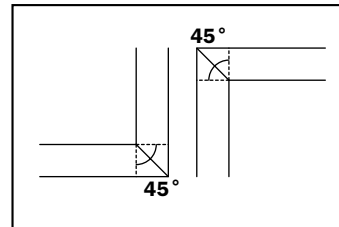
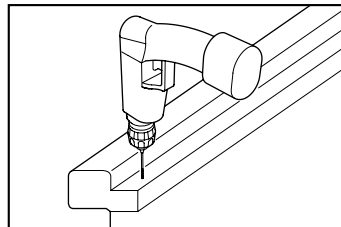
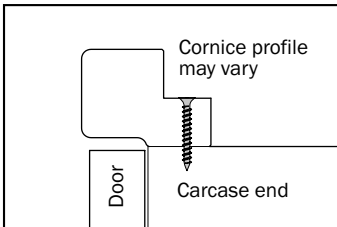
## Fixing



Carefully measure the cornice and cut to the correct lengths. Only use 45° mitre joints at corners, if required.

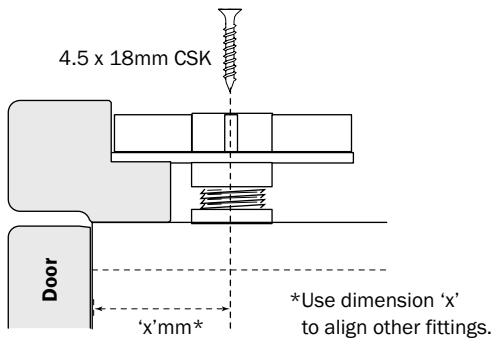
Drill the cornice at suitable intervals, position the cornice on the top of the cabinet, (making sure the cornice lines up with doors, decor end panels etc). Screw into the cabinets using countersunk screws.

**NOTE:** If you are tiling the wall then a gap should be left where the return cornice meets the wall to accommodate the tile thickness.

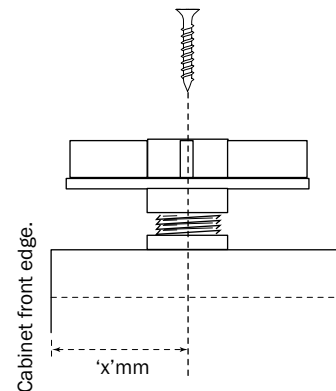


### Alternative fixing method - Cornice screws

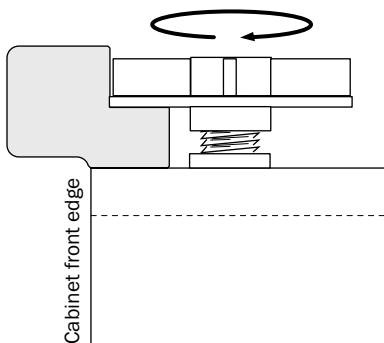
**1** Position a small piece of cornice on top of the cabinet to determine the position of the fitting. Secure the fitting onto the cabinet using the screws provided. Gently tighten and check that the cornice is correctly positioned.



**2** Position the fittings on all wall cabinets as required, see installation example below.



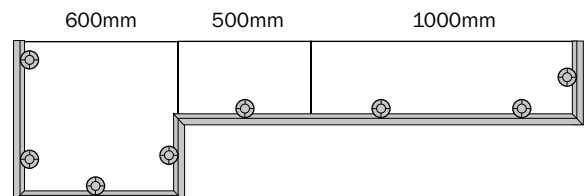
**3** Once cabinets are secured to the wall, position the mitre bonded cornice sections and gently tighten all the fittings by hand, just enough to hold the cornice securely.

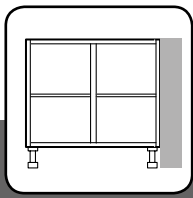


#### Installation example

We recommend one fitting is used above each door on a run of cabinets as shown below.

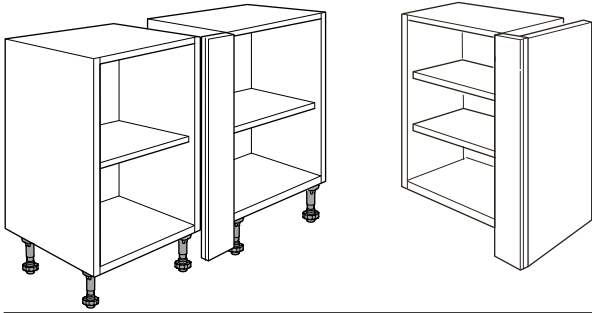
**NOTE:** All corners must be mitre bonded.





## Section 4 - Kitchen installation - Pilasters

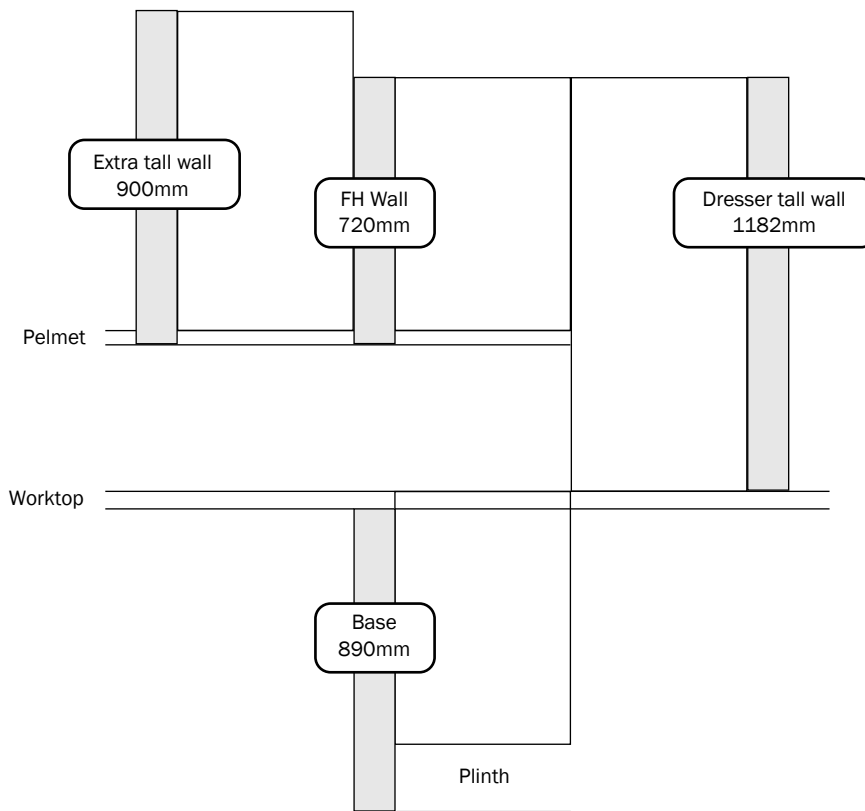
# Fixing



### Assembly

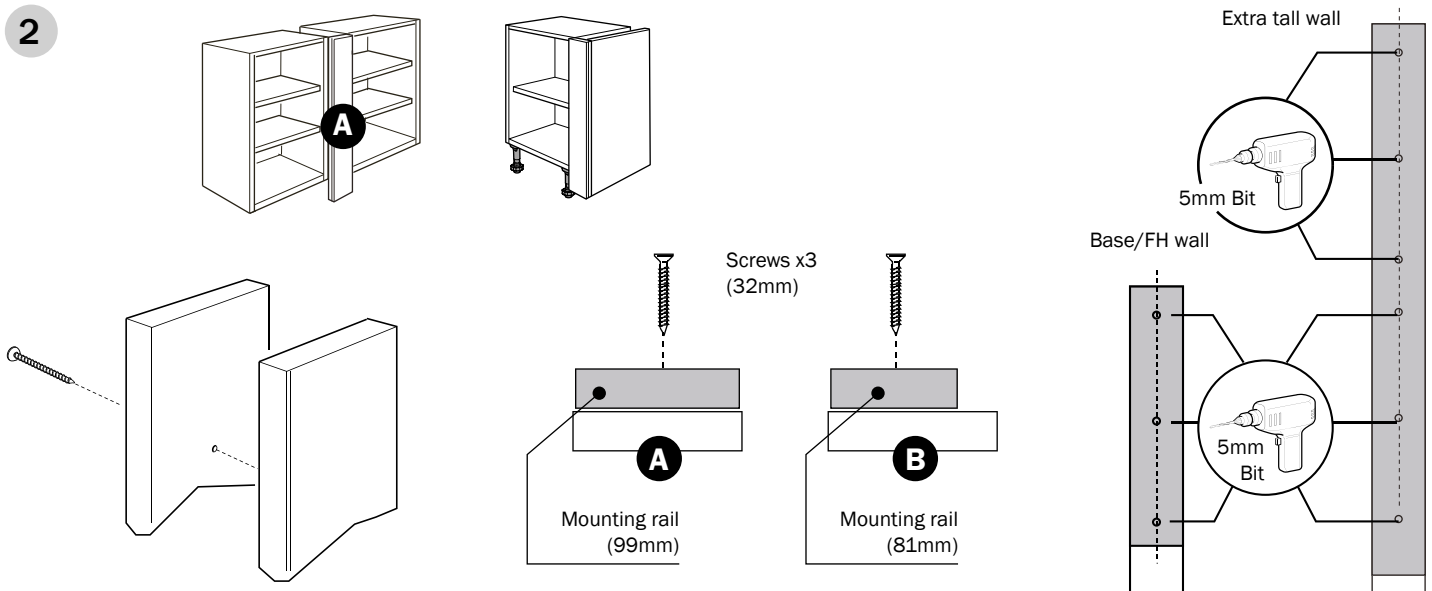
**NOTE:** The pilaster will require cutting to size.

1

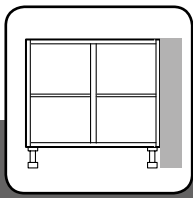


Cut the pilaster to the required size depending on the cabinet application.

2





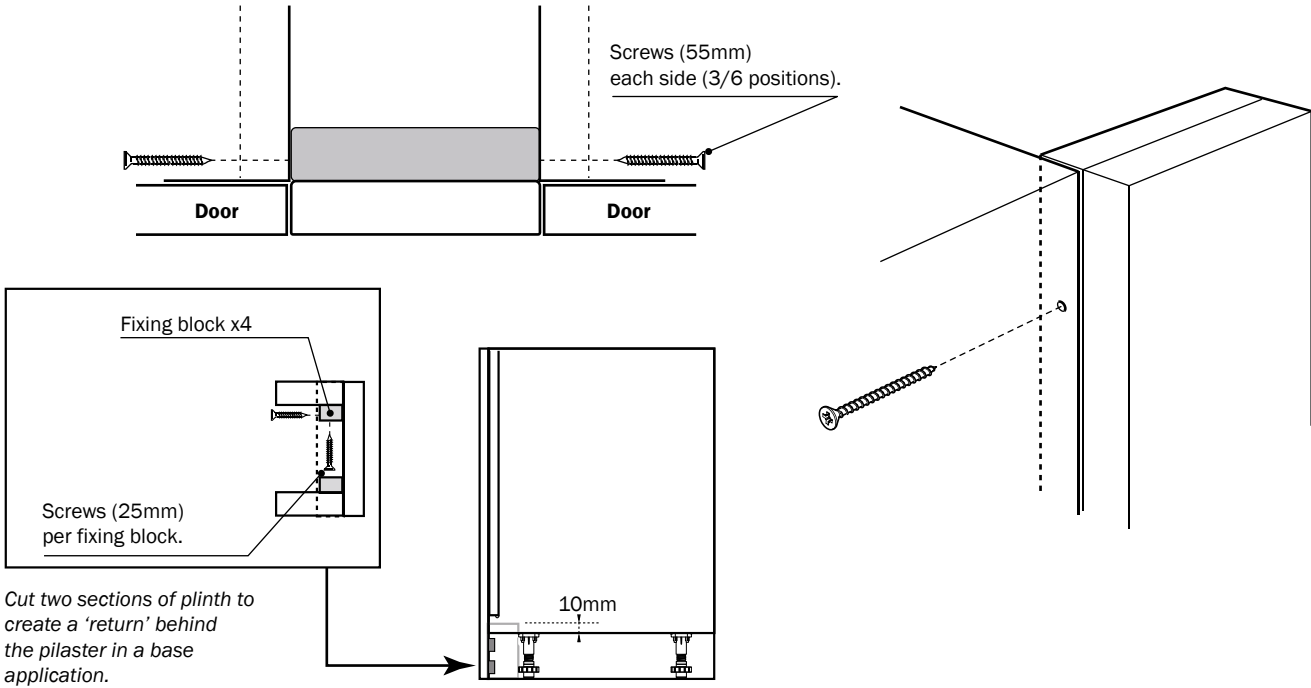


# Section 4 - Kitchen installation - Pilasters

## Fixing

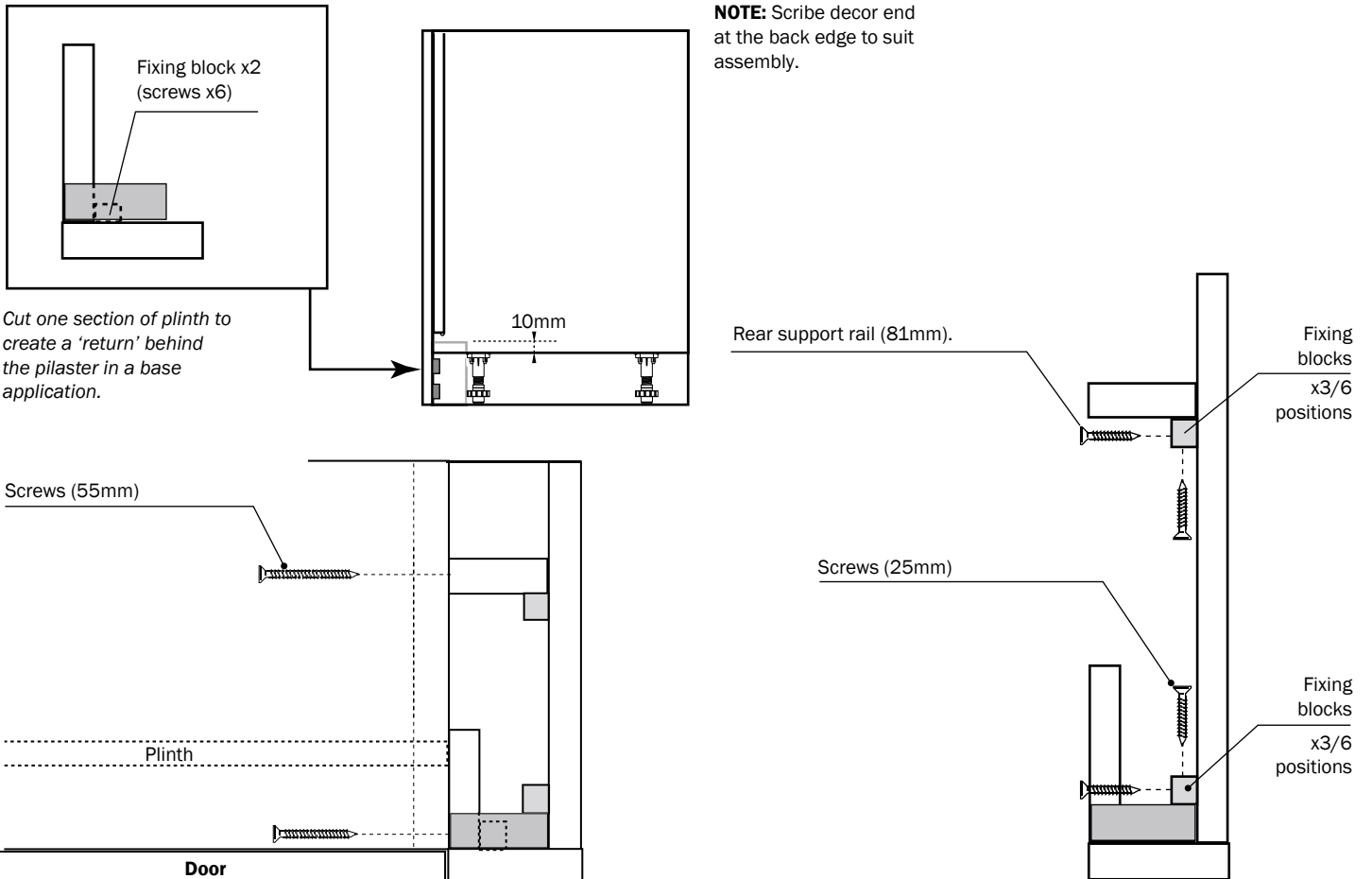
3

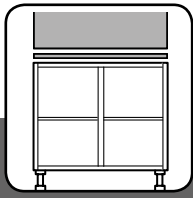
**A** Assembly only (pilaster between two cabinets - base or wall).



4

**B** Assembly only (pilaster at the end of a cabinet run - base or wall).



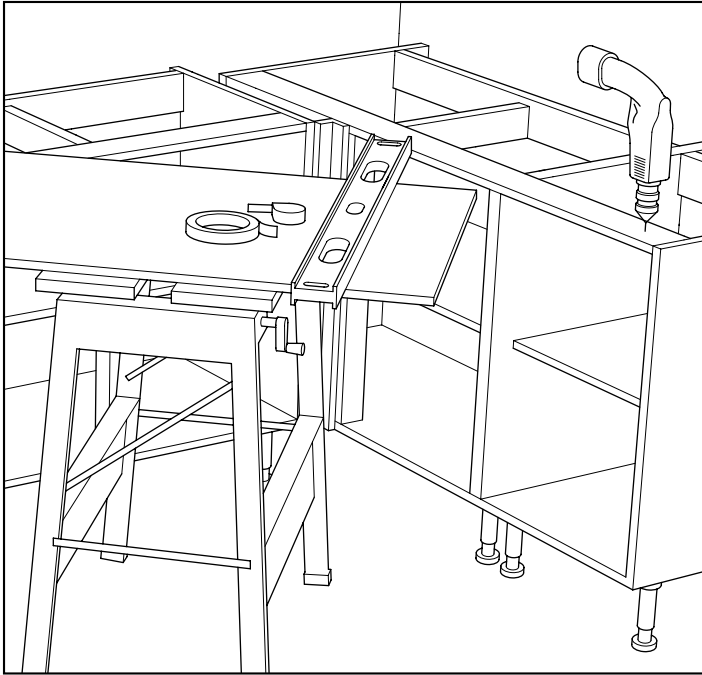


## Section 4 - Kitchen installation - Worktops and backboards

# Fixing

**IMPORTANT NOTE:** Refer to the below information only for the installation of laminate worktops. If installing solid timber please refer to the separate cutting and installation instructions provided.

**When routing laminate worktops, care should be taken not to burn the laminate. Always ensure the tooling is not blunt, and the wheel bearings are moving freely.**



**NOTE:** Before fitting the worktop, drill through the part drilled holes in the front rail of the carcasses with a 5mm drill bit.

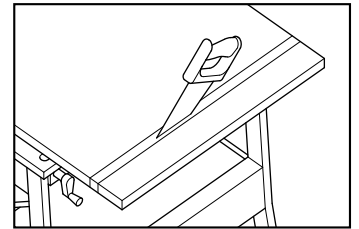
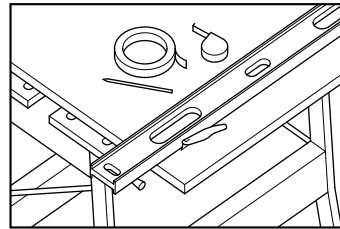
Granite/Quartz worktop fitting information is covered in a separate installation manual which can be picked up from your local depot.

Using a fine toothed saw, measure and cut the worktop to required size. If you are creating a mitre joint ensure that the male part of the worktop is correctly sized to accommodate the inset into the female part. Before cutting the worktop, stick a length of masking tape over the line and score the surface - this method helps prevent chipping. When a sawn edge is visible it may require planing smooth before applying pre-glued edge banding.

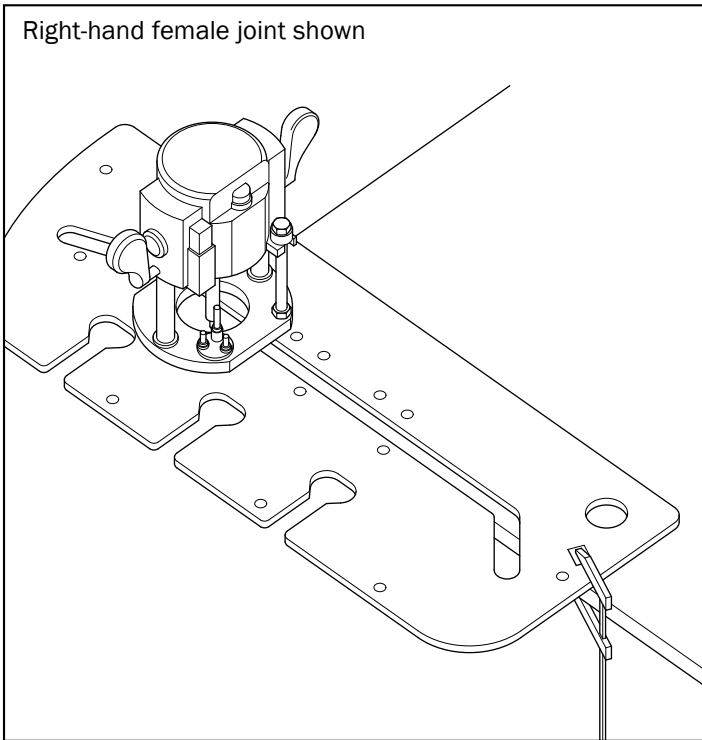
**NOTE:** We recommend your worktop depth for this style of kitchen is 600mm. If using worktops which are 616mm in depth, carefully cut down the worktop at the back making sure measurements allow for uneven walls/scribing.

**When using granite worktops, the depth should be a minimum of 615mm so hobs and sinks have the appropriate spacing at the front and back.**

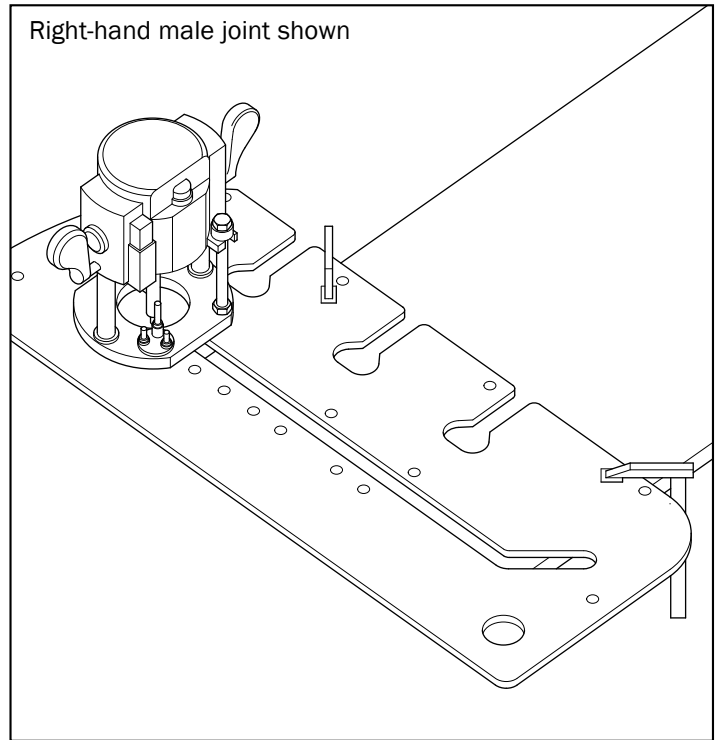
**IMPORTANT NOTE:** See **Profile Kitchens - Section 2** for further details on batten and spacer fixing.



Right-hand female joint shown

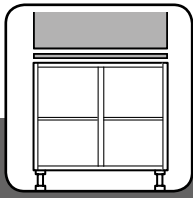


Right-hand male joint shown



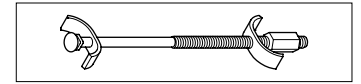
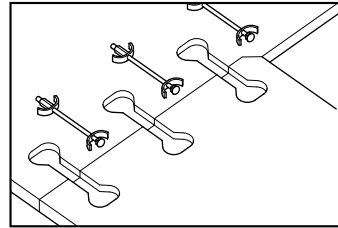
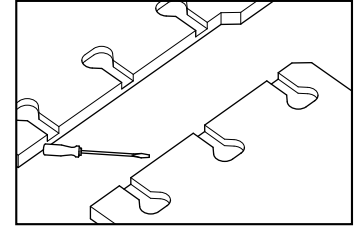
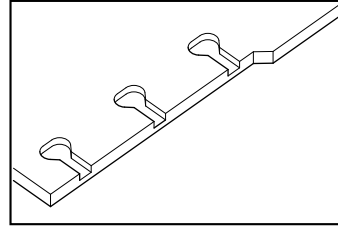
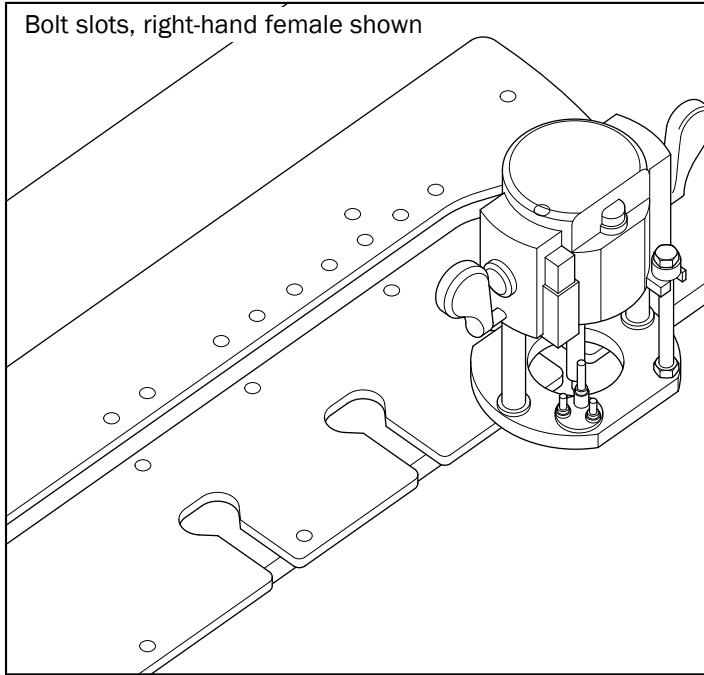
If the corners are being joined at 90° with a mitre joint, identify which ends of the worktops are to be 'male' and 'female'. Following the instructions provided with the worktop jig, use a router to create the necessary joints and joining bolt pockets. Illustrations show the creation of a right hand corner joint. Reverse worktop to create left hand corner joint.

For joining at angles other than 90° please refer to the instructions provided with the worktop jig.

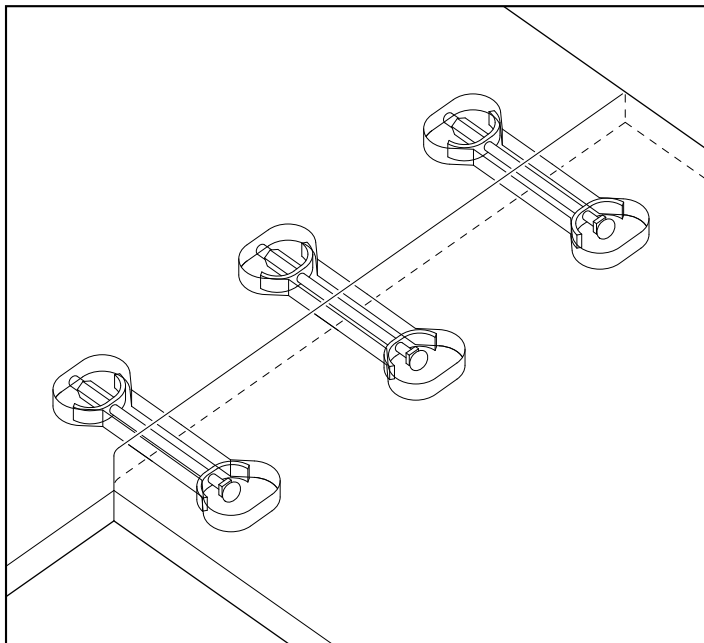


## Section 4 - Kitchen installation - Worktops and backboards

# Cutting and fixing

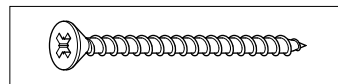
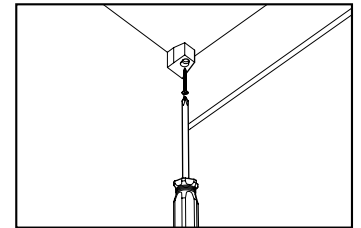
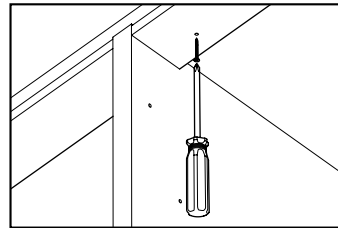


Worktop connector bolts

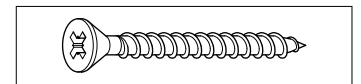


Once all cutting is complete, bring worktops into position and join together using worktop connector bolts. Apply worktop jointing compound to the mitre joint to create a virtually invisible joint, tighten the connecting bolts as required. Once the worktop is in correct position, secure it to the cabinets by using 40mm CSK screws through the pre-drilled holes in the front rails. Then use countersunk screws to secure the worktop to the rear of the carcass through the previously fitted worktop fixing brackets.

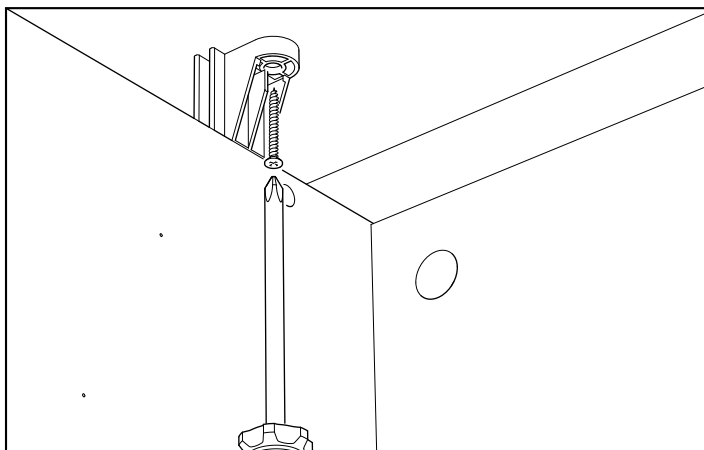
Finish any exposed cut edges by applying worktop edging.



40mm CSK screw  
(35mm for 22mm worktops)



30mm CSK screw  
(25mm for 22mm worktops)

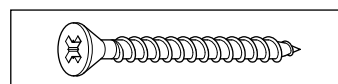


**Profile Kitchens only:** Once the worktop is in correct position, secure it to the cabinets by using 30mm CSK screws through the spacer blocks.

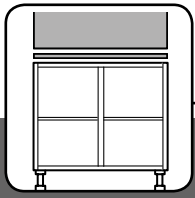
Finish any exposed cut edges by applying worktop edging.

**NOTE:** If fitting a granite worktop, use silicone to secure the worktop to the worktop spacer rails.

For profile kitchens, see also **Section 2**.

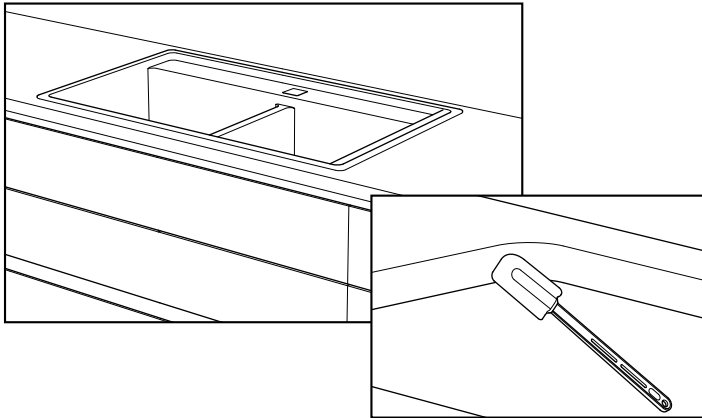


30mm CSK screw  
(25mm for 22mm worktops)



## Section 4 - Kitchen installation - Worktops and backboards

### Fitting sink unit



We recommend that the sink is positioned in the worktop before the worktop is secured. Fit the sink to the worktop following the manufacturers instructions.

Use silicone to seal chipboard edges around sink and hob cut-outs. This should be applied using a spatula.

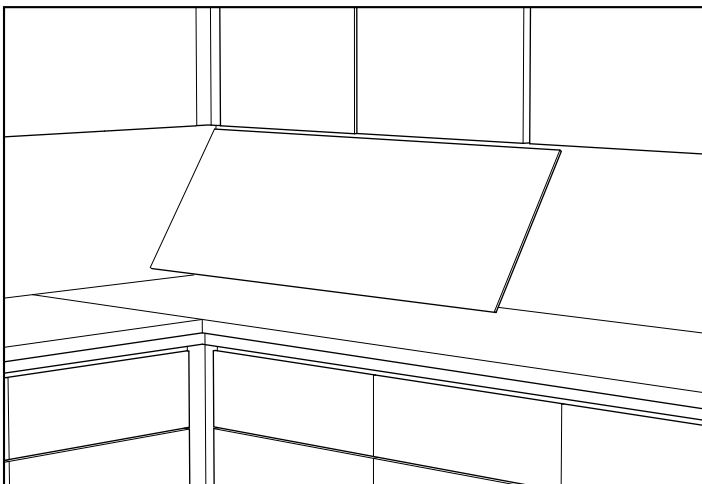
#### Profile Kitchens only:

**NOTE:** When using worktop spacer rails near to wet areas, (ie. sinks), use a water proof varnish to protect the MDF spacer rails.

**NOTE:** When fitting a sink to your worktop, the cabinet front rail may need cutting at the front to accommodate the bowl.

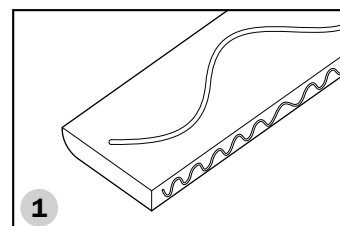
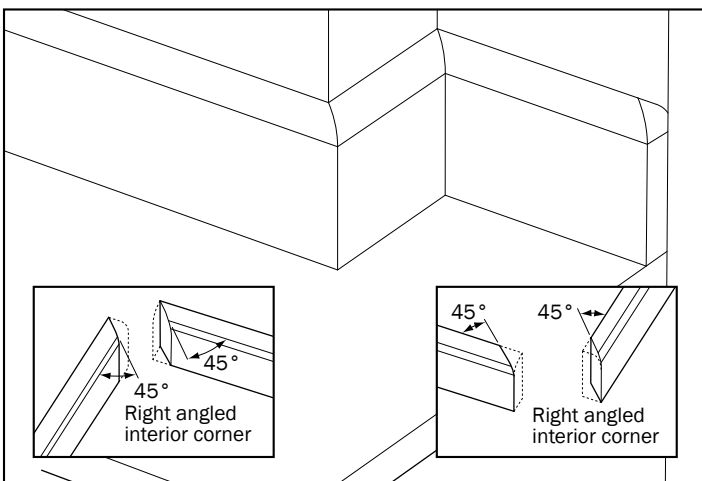
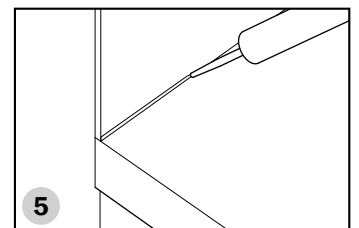
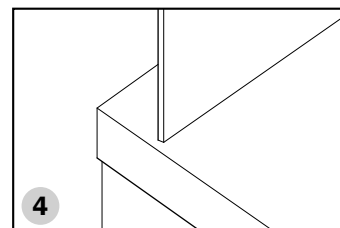
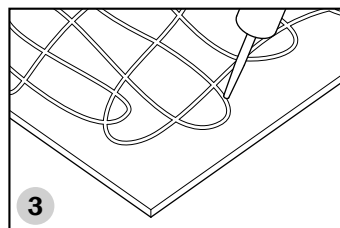
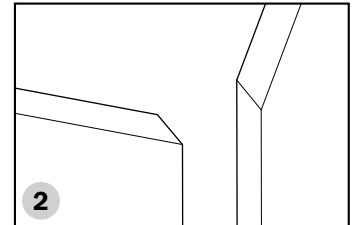
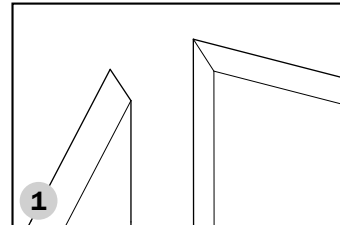
For profile kitchens, see also **Section 2**.

### Fitting backboards

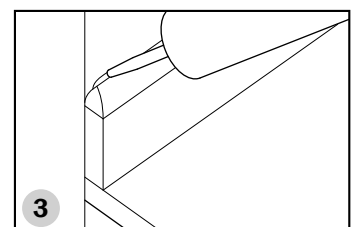
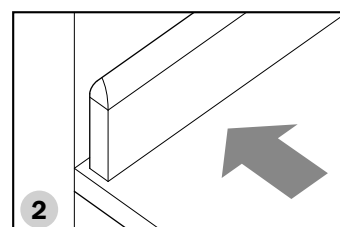


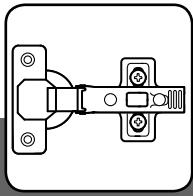
Cut backboard to required lengths and mitre joints where appropriate. Apply a suitable adhesive to the rear and underside of each cut section of backboard, following adhesive manufacturers instructions. Fit and allow the adhesive to dry.

Use silicone sealant or the appropriate jointing compound for the to fill and seal all joints. Use appropriate sealing strip or edging strip to finish any exposed edges.



Cut upstands to required length and mitre joints where appropriate. Apply suitable adhesive to the rear and underside of each cut section of upstand, following adhesive manufacturer's instructions. Fit and allow to dry.

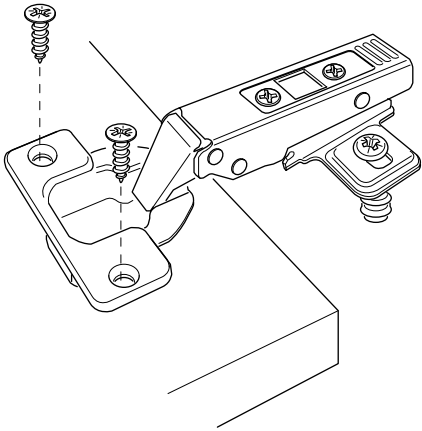




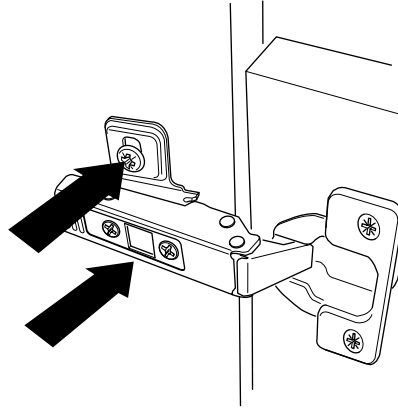
## Section 4 - Kitchen installation - Hinges

# Fitting

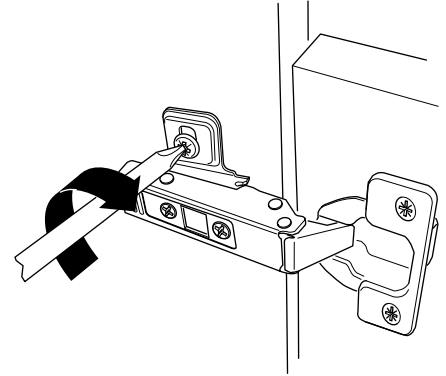
**Step 1 - Fit hinge**



**Step 2 - Fit door**

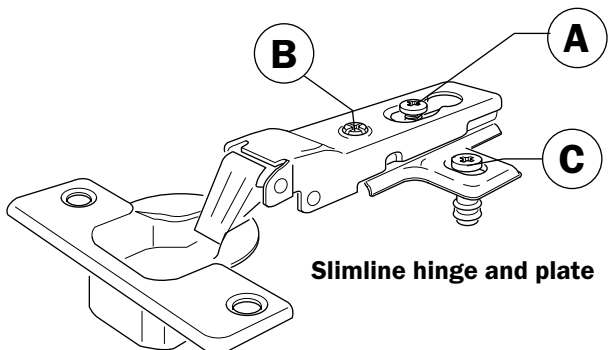
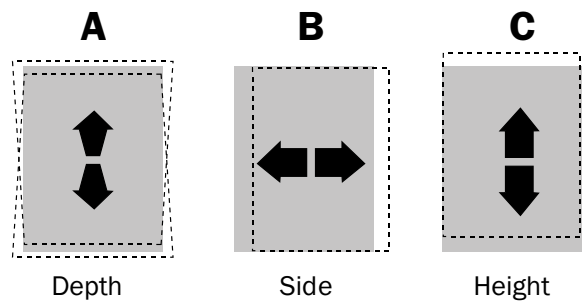
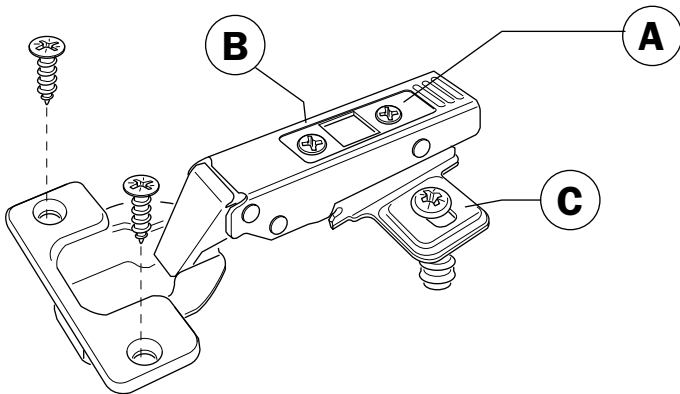


**Step 3 - Tighten**

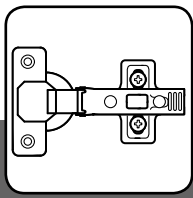


Fit the door to the cabinet, aligning the plastic pegs on the hinge plate with the holes in the cabinet. Firmly push into place. Tighten screws on the hinge plate, expanding the pegs to secure.

# Adjustment



**Slimline hinge and plate**



## Section 4 - Kitchen installation - Hinges

# Upgrade soft close hinges

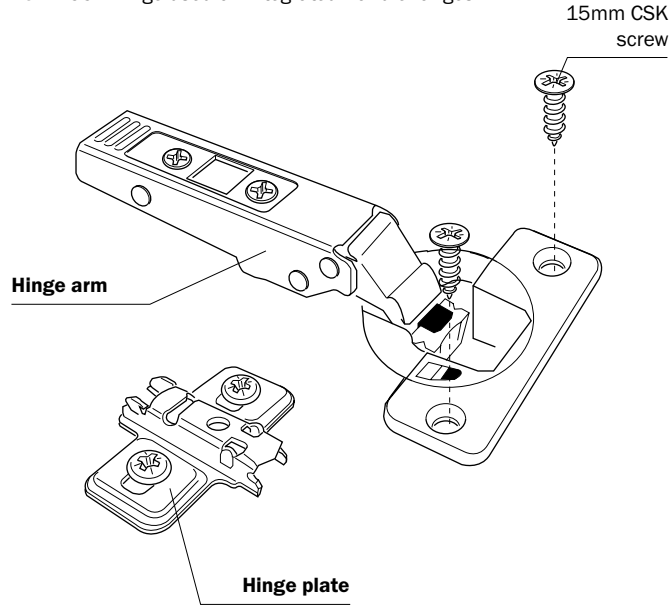
### Hinge assembly

Fit hinge arms to doors and plates to cabinets using the screws supplied.

#### 95°/110° Hinge - Standard

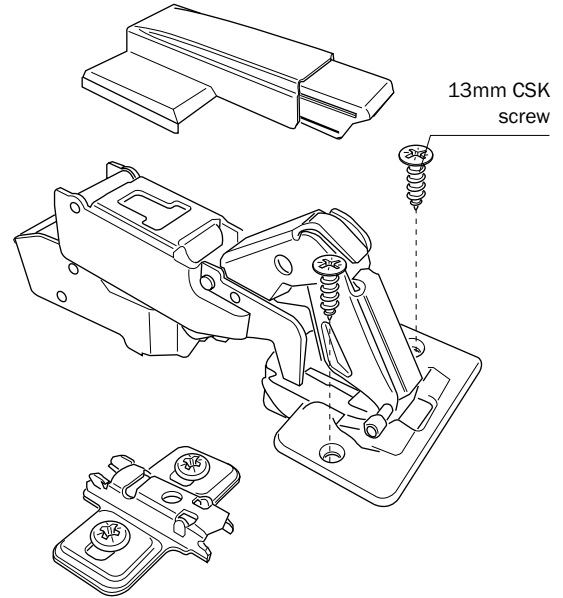
Integrated soft close hinge.

**NOTE:** 95° Hinge used on Integrated Handle ranges.

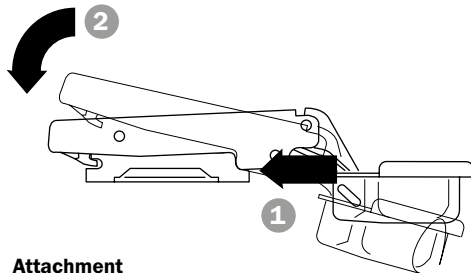


#### 170° Hinge - Standard

Soft close damper.

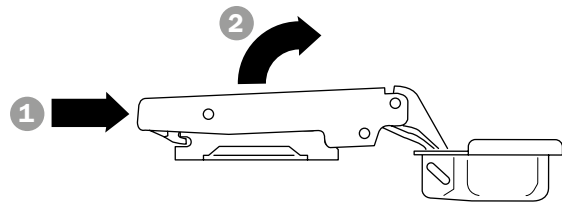


### Installation and adjustment



#### Attachment

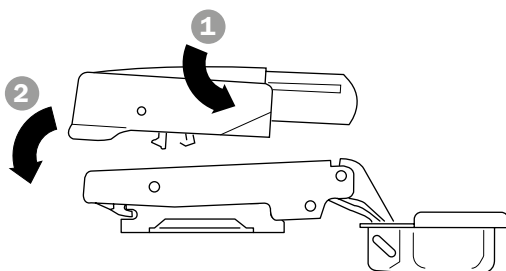
Locate at the front and push down at the back, clipping into place.



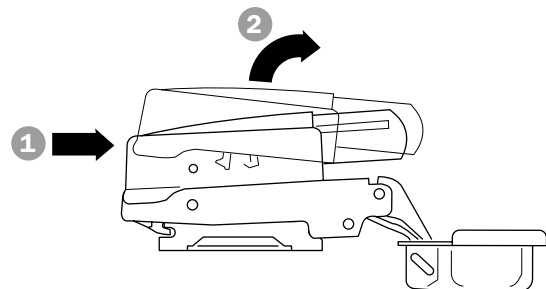
#### Removal

Push the clip at the back.

### Damper installation



Similar installation for all dampers.



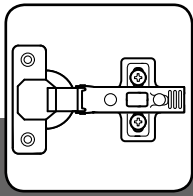
#### Removal

1. Push forward and pull up simultaneously.

**NOTE:** Door adjustment should be carried out before this stage.

#### Attachment

1. Push forward and down at the front.  
2. Push down on the back.



## Section 4 - Kitchen installation - Hinges

# Soft close de-activation switch

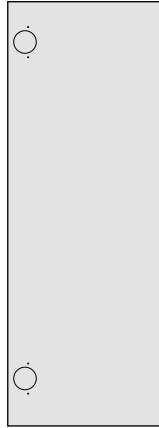
**NOTE:** Some doors may not require two activated soft close hinges due to their size and weight. If the door is not closing correctly, please de-activate one of the soft closing switches on one of the hinges to improve the soft close action.

Below is a simple guide on where the de-activation switch should be active.

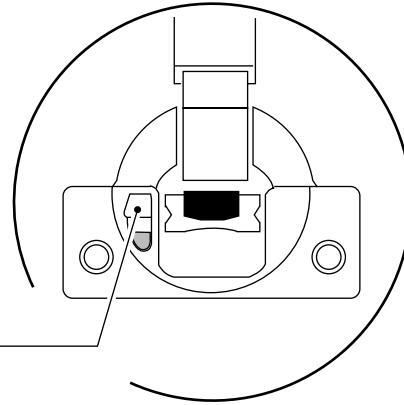
One soft close hinge activated (recommended).



200\*

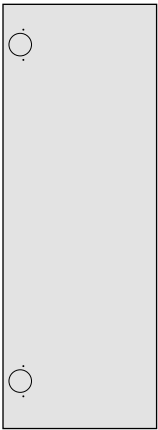


300\*\*

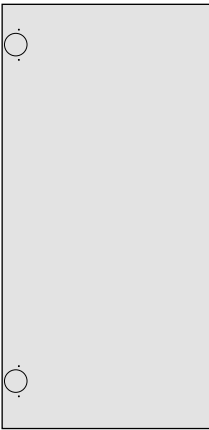


Soft close activation/  
de-activation switch.

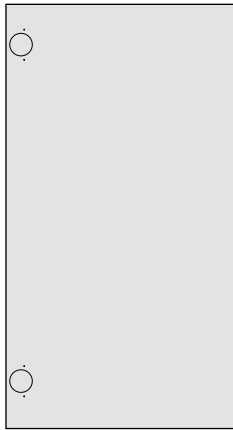
Two soft close hinges activated (recommended).



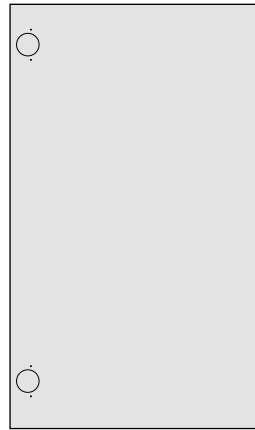
300



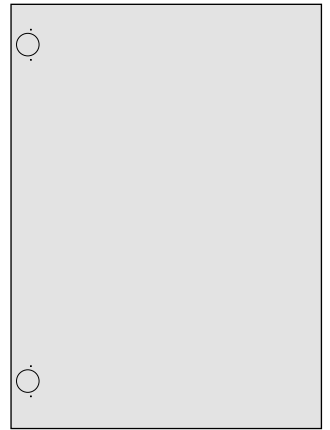
400



450



500



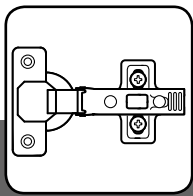
600

\*Where applicable.

\*\*On Greenwich ranges only.

The information above is applicable to all standard height, full-height, extra tall and hob wall doors.

**NOTE:** This information is not applicable to half-height doors and integrated microwave wall units.

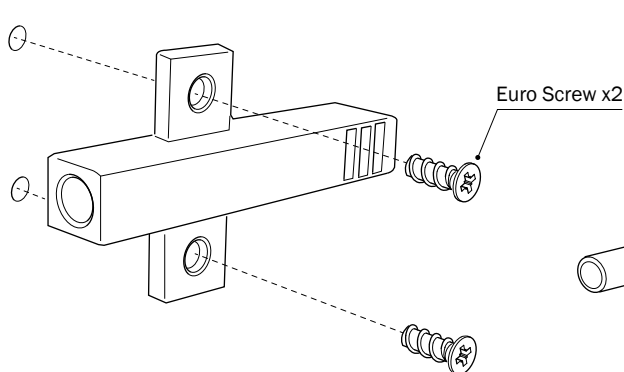


# Magnetic catch - Push to open

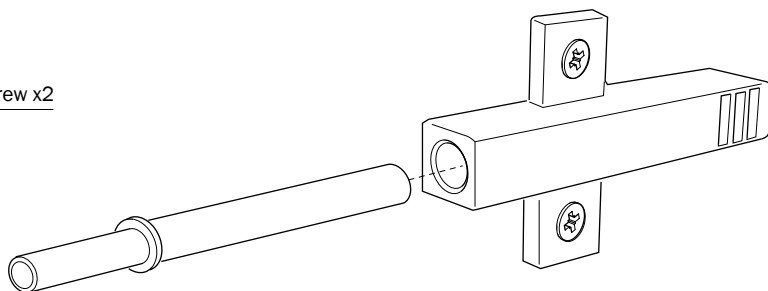
**IMPORTANT:** The hinges and hinge plates supplied with your cabinet will need to be replaced with the hinges and hinge plates supplied as part of the magnetic catch pack. These should be fitted to the cabinet in the positions of the existing hinges and hinge plates.

## Adapter Plate

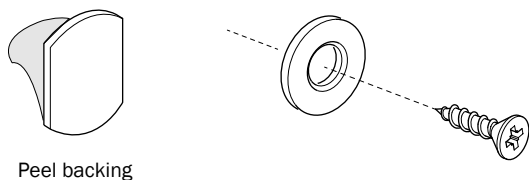
- 1 Fit the adapter plate to the hinge plate positions on the opposite side of the hinged door. Use euro screws to secure.  
**NOTE:** If your cabinet does not have hinge plate holes drilled, pilot drill and use two 13mm csk screws. Adapter should be fitted flush with the front edge of the cabinet and 70mm up from the bottom of the side panel.



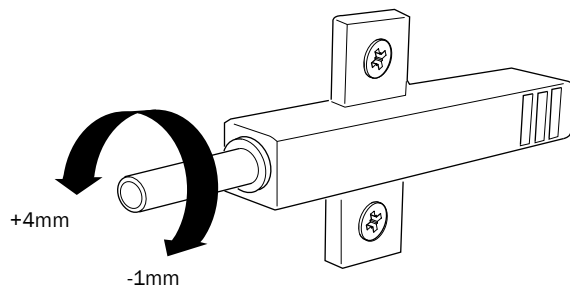
- 2 Fit the piston to the adapter plate pushing into place.



- 3 Use the adhesive magnet or screw on magnet, positioning to the back of the door in line with the piston.

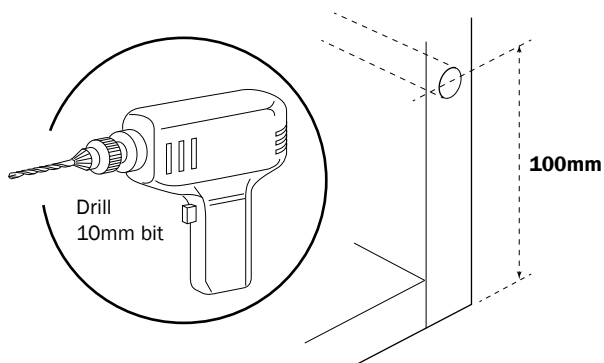


- 4 Adjust the position of the piston by turning the end.

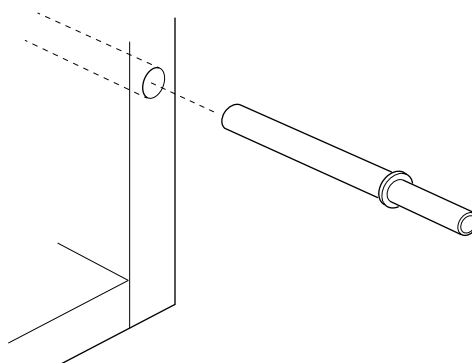


## Side Panel Edge Application

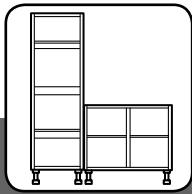
- 1 Carefully drill the front edge of the cabinet.  
**NOTE:** Drill hole should be a diameter of 10mm x 76mm in depth.



- 2 Fit the piston into the hole.  
Fit the magnet to the door as shown above.

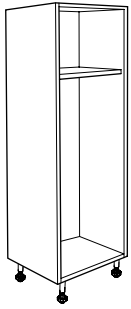




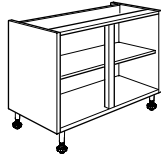


## Section 4 - Kitchen installation - Level H kitchens

# Larder and base cabinet



Larder cabinet



Base cabinet

**NOTE:** Only with the addition of the back rail, will the larder cabinet be suitable for Level H use.

### Assembly

#### Larder cabinet

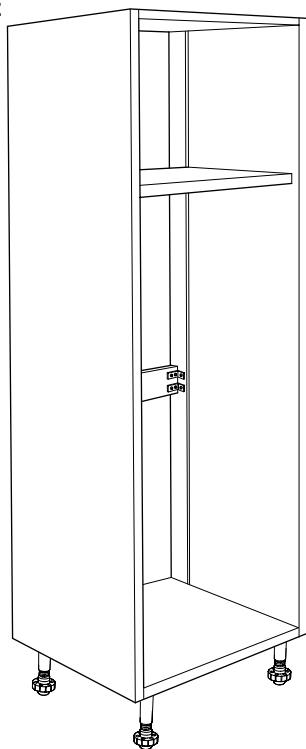
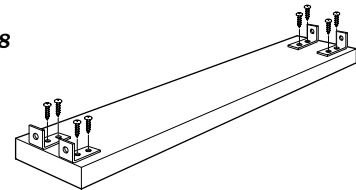
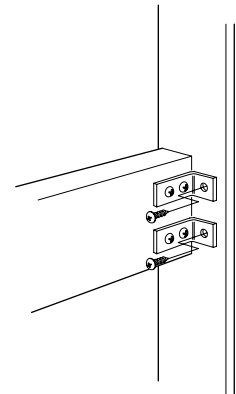
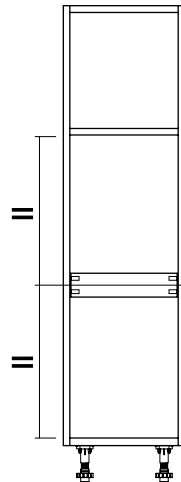


Illustration is shown with back panel removed.

- 1** Larder bracket x4  
13mm Flange head screw x8



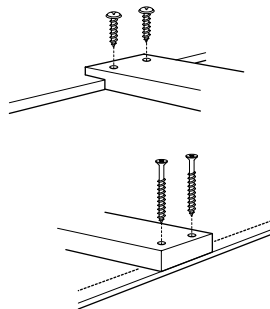
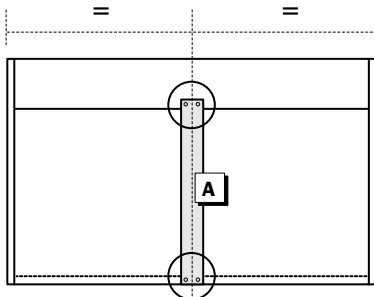
- 2** 13mm Flange head screw x4



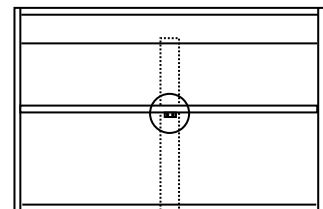
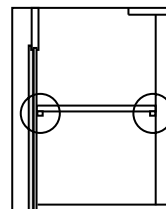
Position the rail to the back of the larder cabinet. Make sure the rail is level before securing.

#### Base cabinet

- 1** 16mm Flange head screw x2  
45mm or 50mm CSK screw x2



- 2** 25mm CSK screw x6  
KD block x2

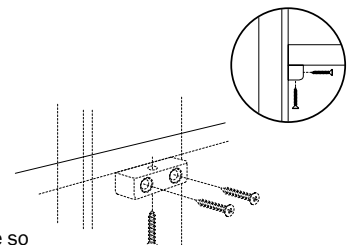


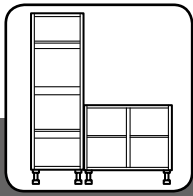
Place the new support rail 'A' to the back of your unit in the centre. Use a tape measure to ensure the correct location. Once in place use the 45mm or 50mm CSK screws to secure to the base panel and the 16mm flange head screws to secure to the top.

**NOTE:** Make sure the rail is in the correct position before securing.

Fit the shelf to your chosen height position. Once in place position the KD blocks to the underside of the front and back of the shelf ensuring they are in the centre. Secure the KD blocks to the underside of the shelf, front and back, using the 25mm CSK screw x6.

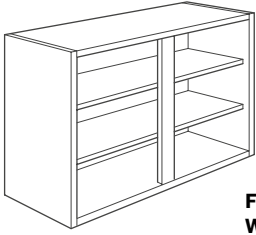
**NOTE:** Make sure KD blocks are in the centre so the back one secures to the back rail.





# Section 4 - Kitchen installation - Level H kitchens

## Wall cabinet




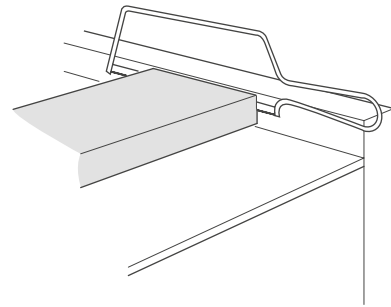
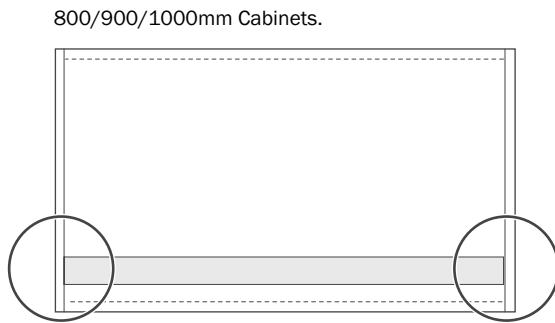
Full height wall (720mm)  
Width - 800/900/1000mm




Extra tall wall (900mm)  
Width - 800/900/1000mm

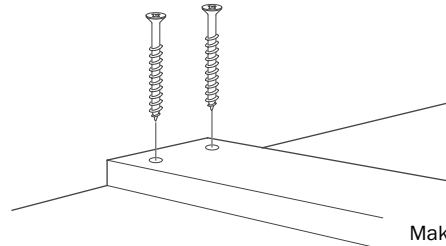
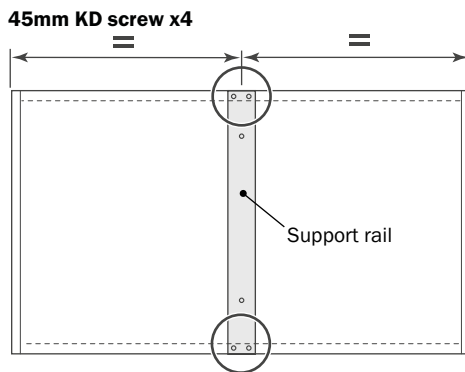
### Assembly

**1**   
720 FH only.





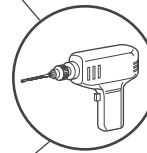
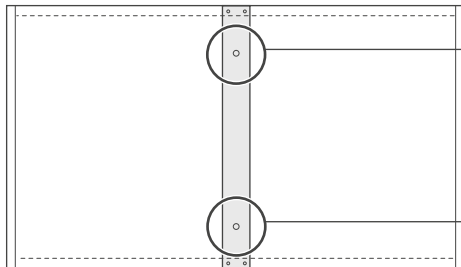
If fitted, carefully remove the back rail.

**2**   
720 FH only.





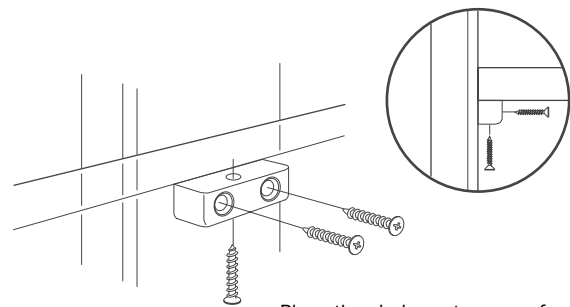
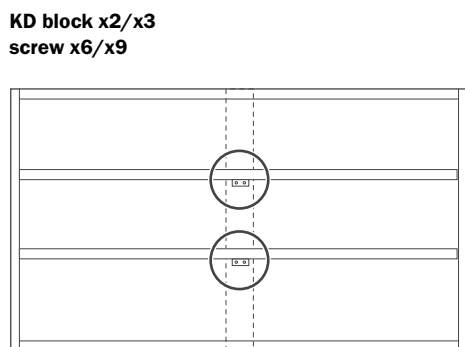
Make sure the rail is flush with top and bottom edge.

**3**   
  
720 FH and 900 Extra tall units.

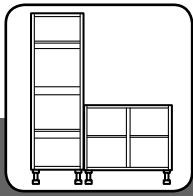


Drill through the 2 holes using a 5mm drill bit. These are wall fixing holes. Secure the cabinet to the wall, see **page 81**.

**4**   
  
900 Extra tall units.

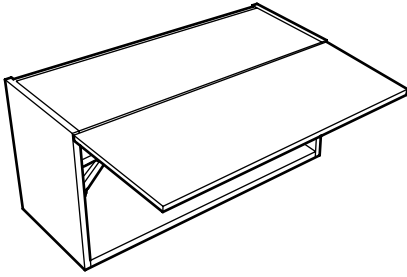


Place the shelves at your preferred height. Position the KD blocks centrally so they secure to the support rail.



# Section 4 - Kitchen installation - Level H kitchens

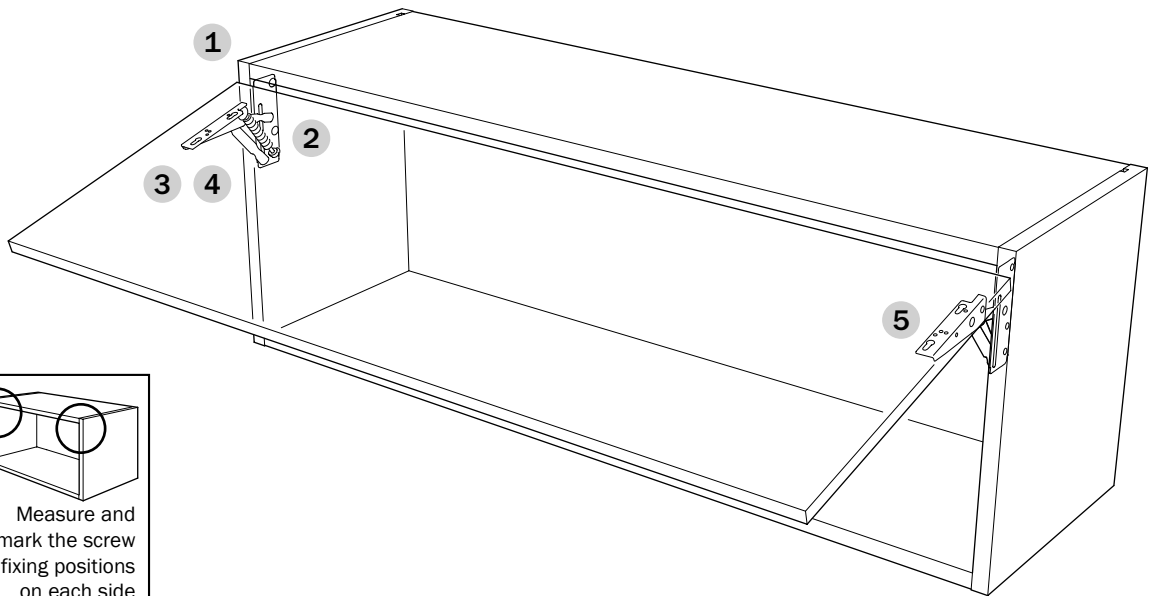
## Hob wall cabinet



**NOTE:** Only with the addition of the replacement hinges, will the hob wall cabinet be suitable for contract use.

### Assembly

This cabinet must be fixed into position prior to door fixing. Refer to cabinet wall fixing, see **page 84**.



**1**

24mm  
37mm  
64mm  
32mm

Measure and mark the screw fixing positions on each side of the wall cabinet.

**2** Hinges x1 pair (LH/RH) 16mm FH screw x6

Left hand hinge shown right hand opposite.

**3** 16mm FH screw x4

From the top of the door, measure and mark the screw fixing positions. Fit the screws but leave 4mm protruding, as shown.

DOOR

52mm  
43mm  
64mm

4mm

**4** 16mm FH screw x2

Fit the door by aligning the screws with the slots. Once in place tighten the screws and adjust the door, see door adjustment.

Screw fix position

Secure the door by fitting 2 additional screws.

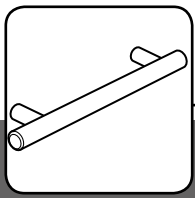
**5** 5mm Cover cap x4

Carefully cut the cover caps supplied and fit alongside the new brackets.

**6** Door adjustment

A

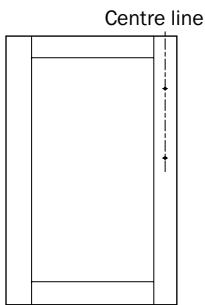
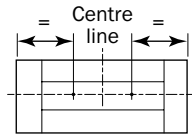
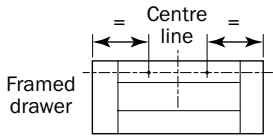
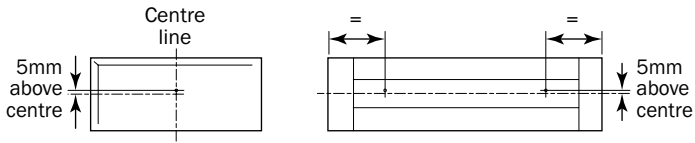
B



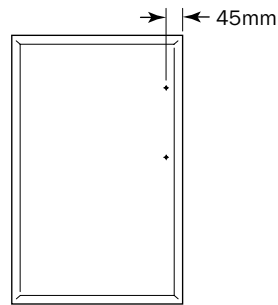
## Section 4 - Kitchen installation - Handles

# Handle fixing

### Application examples



Framed door



Slab door

### Handle fixing

Follow the diagrams to ensure the handle positions are aligned throughout the range and are positioned correctly.

We recommend you fit the frontals to the cabinets before you start marking and drilling handle positions.

**NOTE:** Always check the drilling centres before any holes are drilled.

**IMPORTANT:** Be aware of handle clash situations in corner configurations.

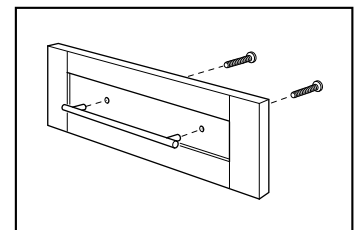
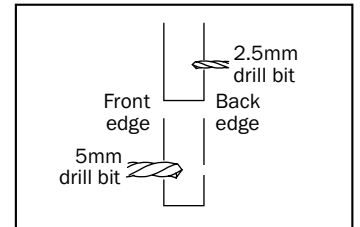
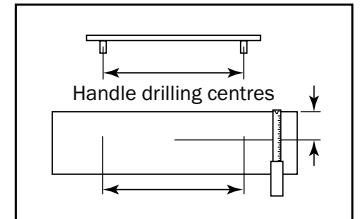
1. Measure the handle position on the frontal.

**NOTE:** When marking drawer fronts make sure holes are 5mm above the centre line of the drawer as shown in the application example.

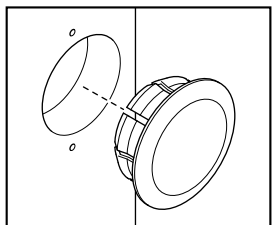
2. Ensure all spike positions are parallel.

3. Drill the frontal.

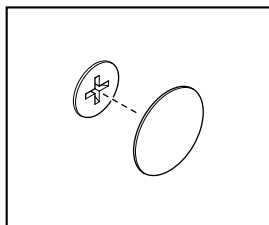
4. Secure the handle using the screws provided.



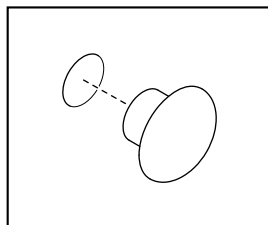
## Finishing touches



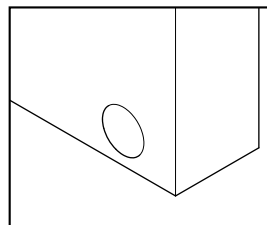
Hinge hole cover cap



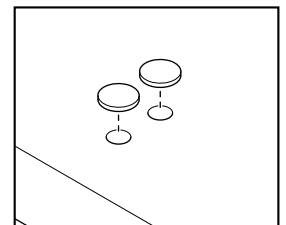
Screw cover cap



5mm Cover cap



Bumpons (x2)



Self-adhesive cover cap